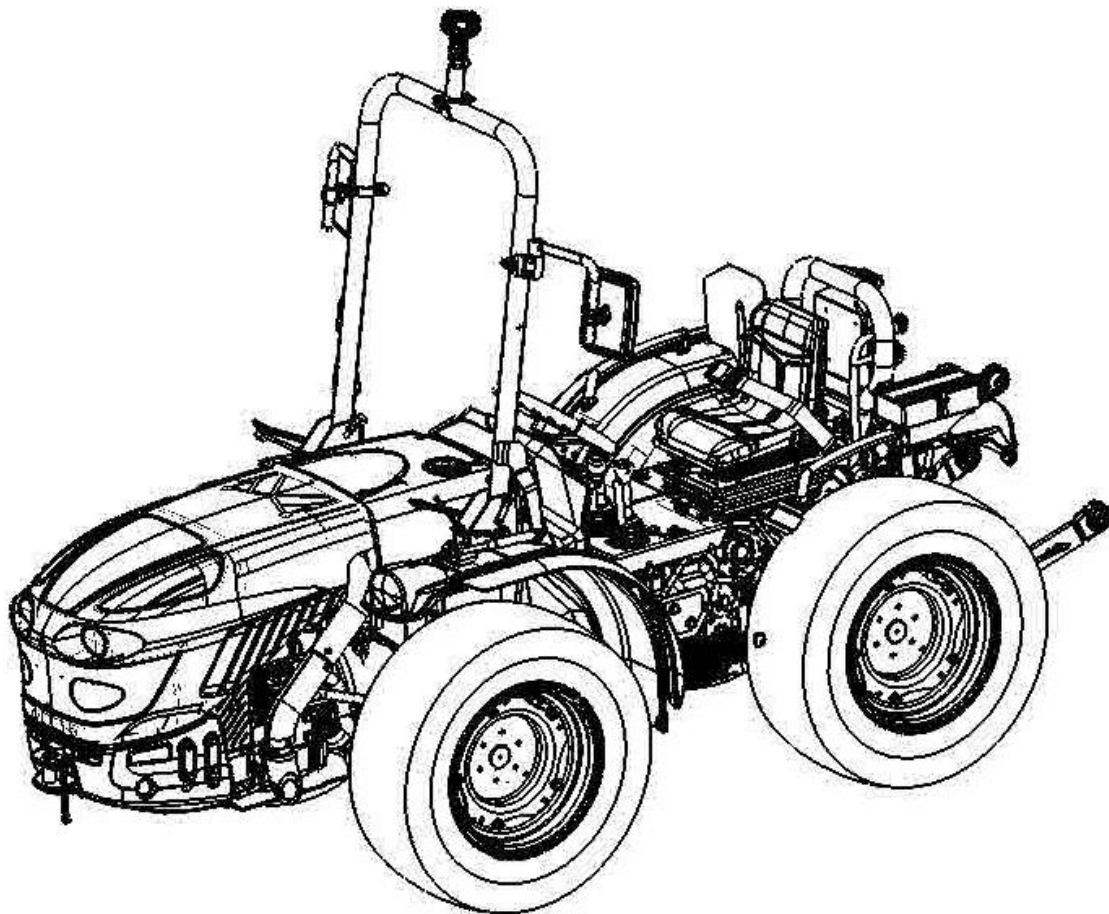




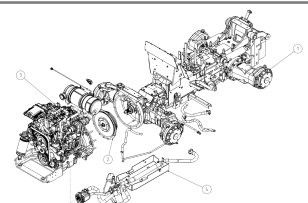
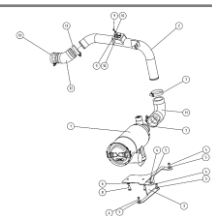
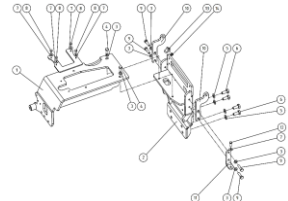
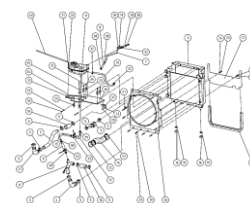
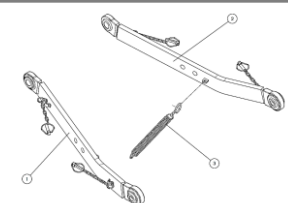
SPARE PARTS

01100290
TR. E60 RS
DOUBLE
CLUTCH ML
UD ST.5



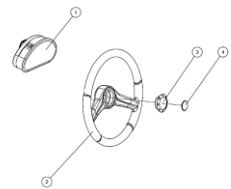
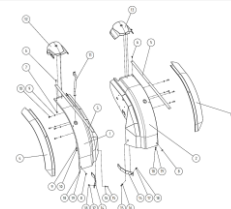
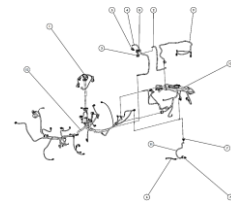
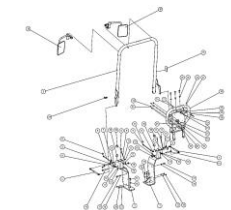
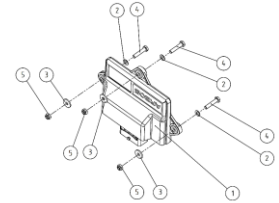
01100290 – TR. E60 RS DOUBLE CLUTCH ML UD ST.5



<u>FDM100GR028</u>	<u>GR. BASE 2060E SW 16+16 Stage 5</u>	
<u>FEM110GR002</u>	<u>GR. AIR FILTER T50 E60</u>	
<u>FDM101GR004</u>	<u>GR. MAIN ATS SUPPORT DOOSAN ENGINE D18</u>	
<u>FDM131GR004</u>	<u>COOLING SYSTEM D18 E60</u>	
<u>FDM551GR004</u>	<u>LIFT LOWER ARMS GROUP 2000E</u>	

01100290 – TR. E60 RS DOUBLE CLUTCH ML UD ST.5



<u>FDM488GR002</u>	<u>GR. DASHBOARD AND STEERING WHEEL SERIE E</u>	
<u>FDM456GR003</u>	<u>FRONT FENDER ASSEMBLY 2000E</u>	
<u>FDM485GR001</u>	<u>ELECTRICAL GROUP - 2000E</u>	
<u>FDM462GR003</u>	<u>ROLLBAR GROUP 2000E</u>	
<u>02004218</u>	<u>GR.VCU MOD.BASE SERIE E90-100</u>	

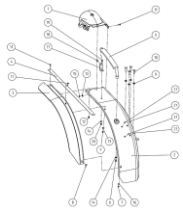
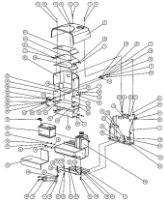
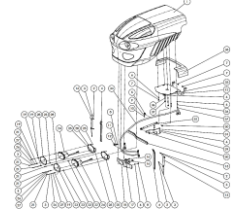
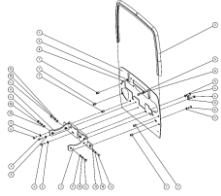
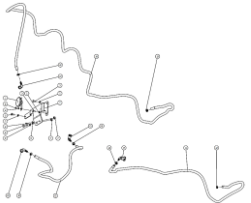
01100290 – TR. E60 RS DOUBLE CLUTCH ML UD ST.5



<p><u>FDM131GR005</u></p>	<p><u>GR. FAN 2000E D18</u></p>	
<p><u>FDM404GR002</u></p>	<p><u>DASHBOARD-FIXED BONNET ASSY ST.5 (SW)</u></p>	
<p><u>FDM452GR015</u></p>	<p><u>CENTRAL TUNNEL AND PLATFORM GR.</u></p>	
<p><u>FDM452GR014</u></p>	<p><u>REAR SEAT AND PLATES GR.</u></p>	
<p><u>FDM456GR002</u></p>	<p><u>REAR LEFT FENDER ASSEMBLY (SW)</u></p>	

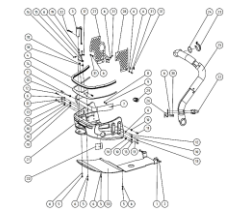
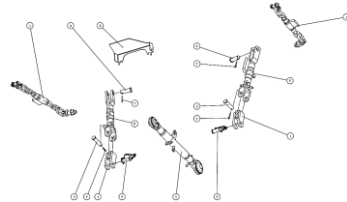
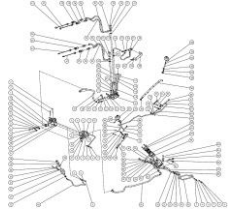
01100290 – TR. E60 RS DOUBLE CLUTCH ML UD ST.5



<u>FDM456GR001</u>	<u>RIGHT REAR FENDER ASSEMBLY (SW)</u>	
<u>FDM501GR002</u>	<u>GR. TANK PROT. ATS</u>	
<u>FDM471GR008</u>	<u>GR. BONNET ENGINE DOOSAN D 18 2000E SERIES</u>	
<u>FDM101GR003</u>	<u>GR. FIREWALL PLATE</u>	
<u>FDM508GR001</u>	<u>GR FUEL FILTER 2000E</u>	

01100290 – TR. E60 RS DOUBLE CLUTCH ML UD ST.5

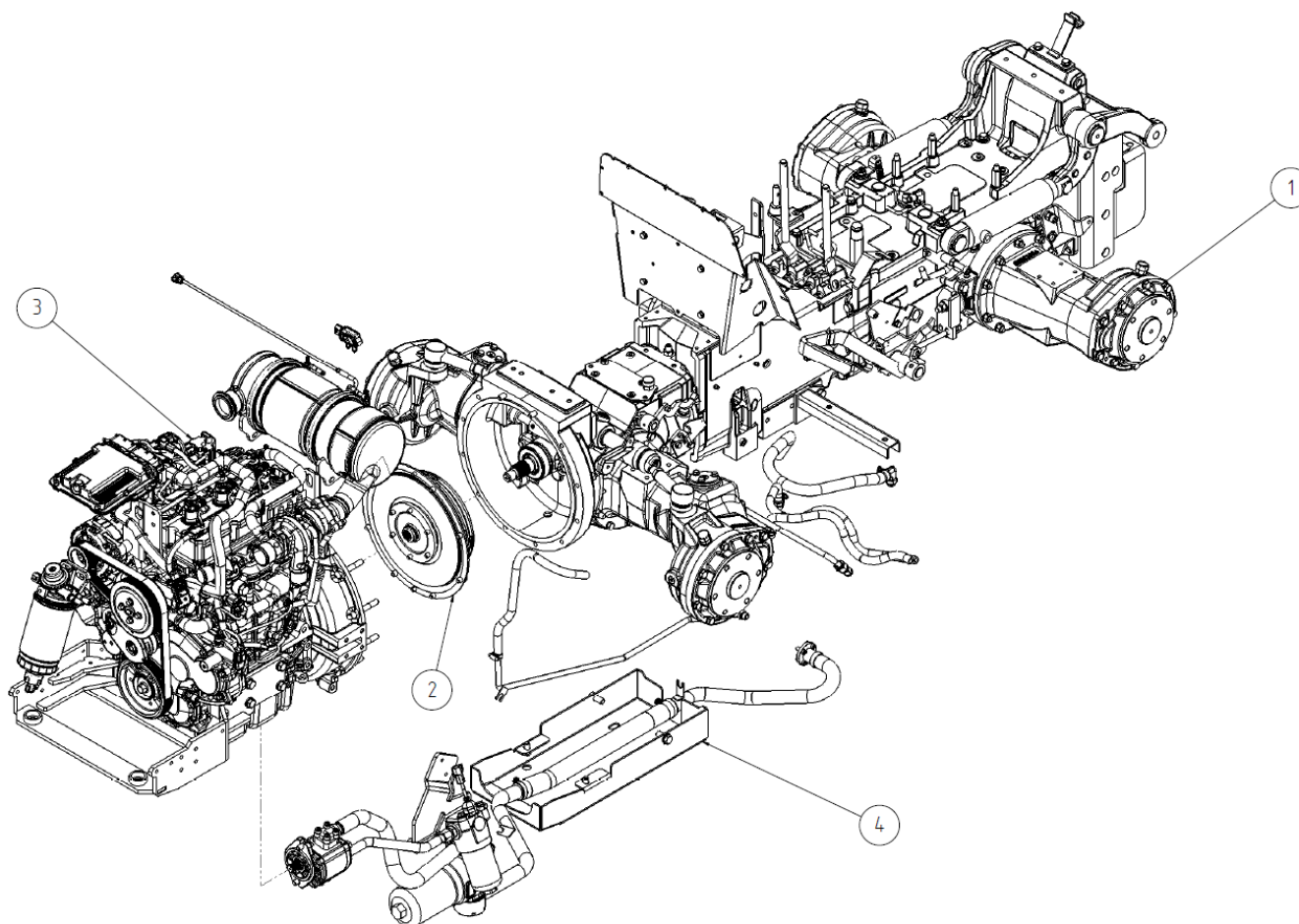


<u>FDM311GR002</u>	<u>FRONT ASSEMBLY 2000E</u>	
<u>FDM561GR001</u>	<u>REAR LIFT ARMS GROUP CATEGORY 1 - 2000E (SW-AR)</u>	
<u>FDM100GR026</u>	<u>GR. HYDRAULIC CIRCUIT SERIES 2000 SW -FINISHING-</u>	

FDM100GR028-GR. BASE 2060E SW 16+16 Stage 5



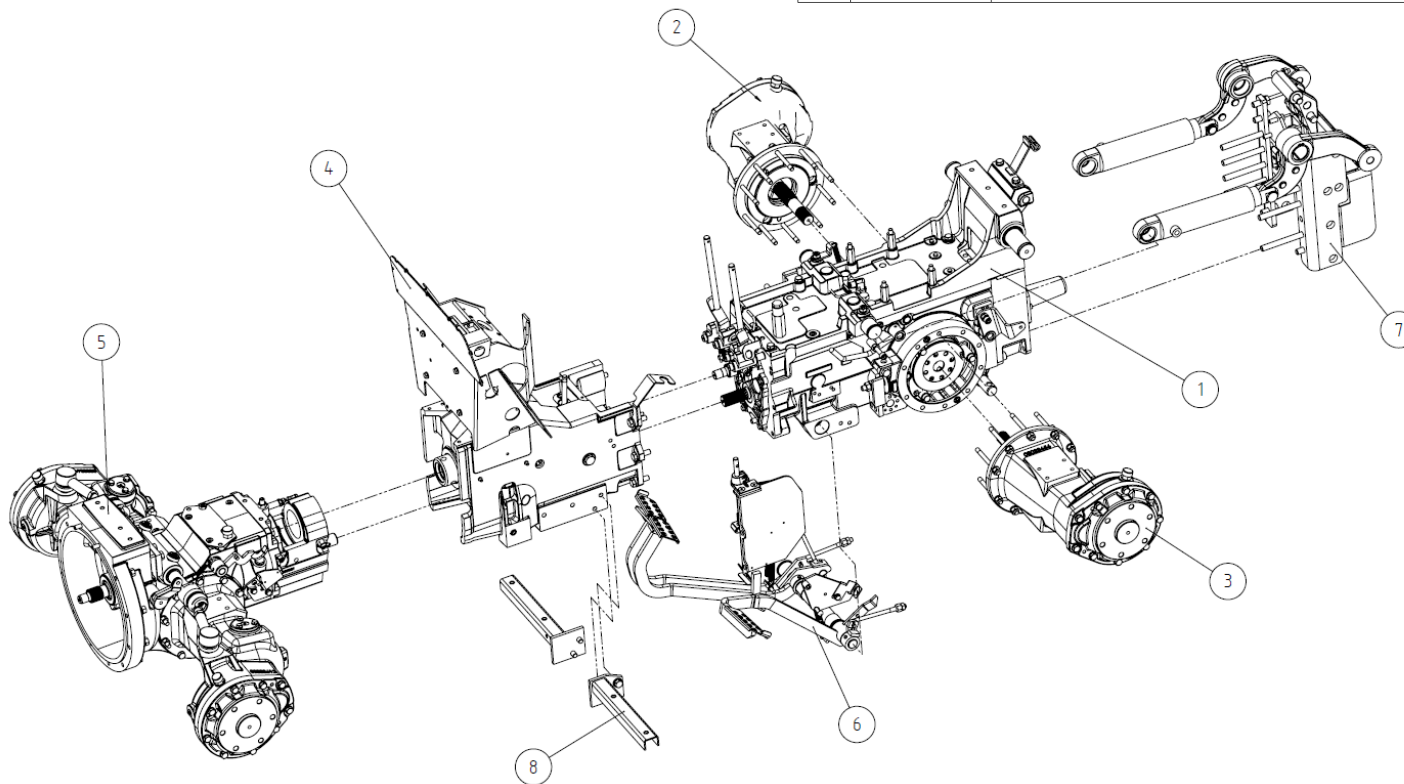
Pos.	Codice	Descrizione	Q.fà
1	FDM376GR002	TRANSMISSION GROUP (16+16) SERIES E3000 RS	1
2	FDM211GR001	GR.CLUTCH 2000E SW	1
3	FDM100GR027	ENGINE D18 2000E	1
4	FDM100GR025	HYDRAULIC CIRCUIT GROUP SERIES 2000 SW -ASSEMBLY-	1



FDM376GR002-TRANSMISSION GROUP (16+16) SERIES E3000 RS



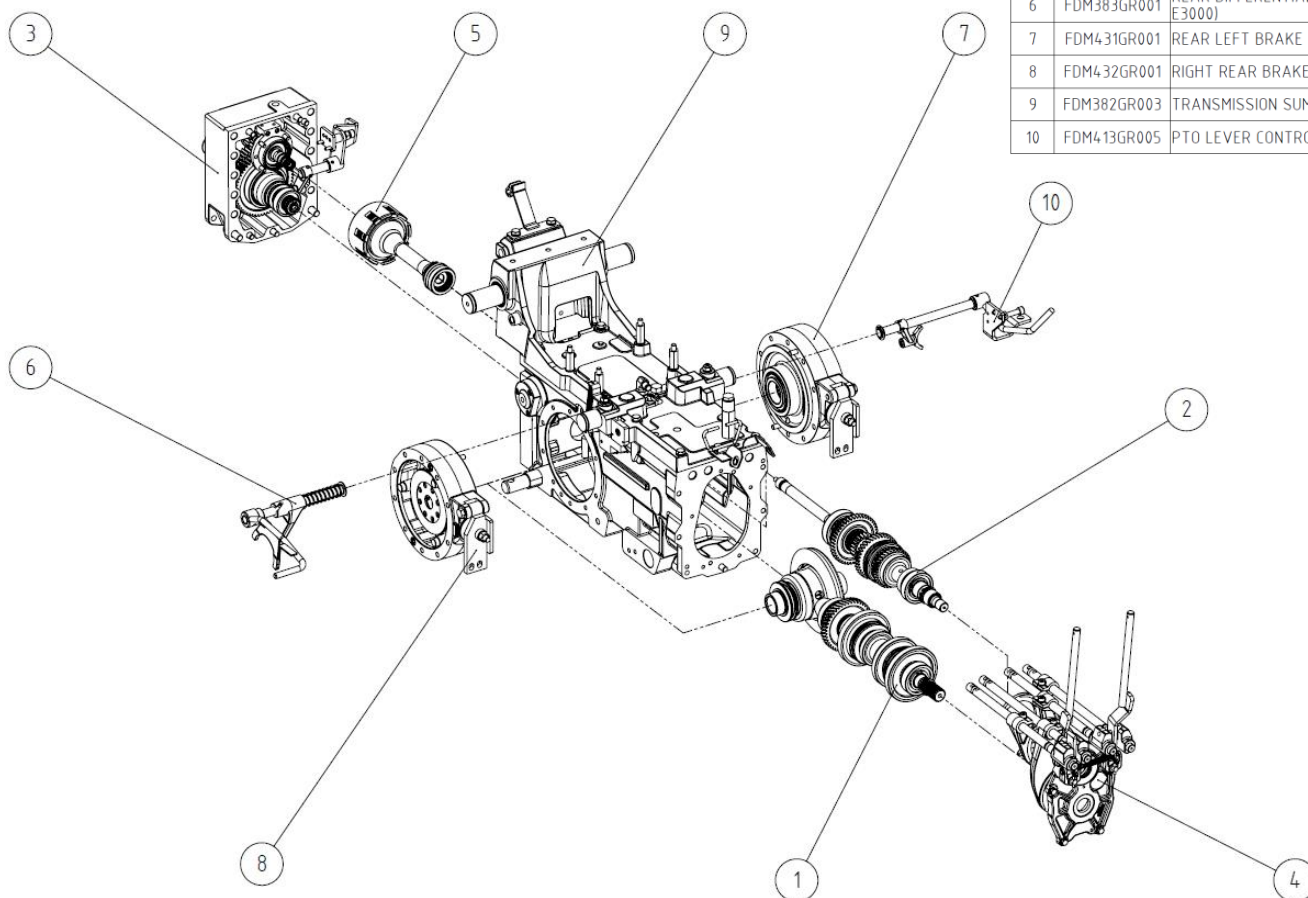
Pos.	Codice	Descrizione	Q.tà
1	FDM382GR004	GEAR GROUP SERIES E3000	1
2	FDM392GR001	RIGHT GEAR UNIT SERIES E3000 RS	1
3	FDM391GR001	LEFT GEAR UNIT SERIES E3000 RS	1
4	FDM382GR005	CENTRAL JOINT GROUP SERIES E3000 RS	1
5	FDM317GR001	FRONT AXLE ASSEMBLY SERIES E3000 RS	1
6	FDM433GR002	PEDAL BRAKE AND CLUTCH GOUP SERIES 2000E Sw	1
7	FDM552GR001	REAR LIFT CYLINDER GROUP E3000 SERIES	1
8	FDM452GR009	E3000 SERIES PLATFORM SUPPORTS GR.	1



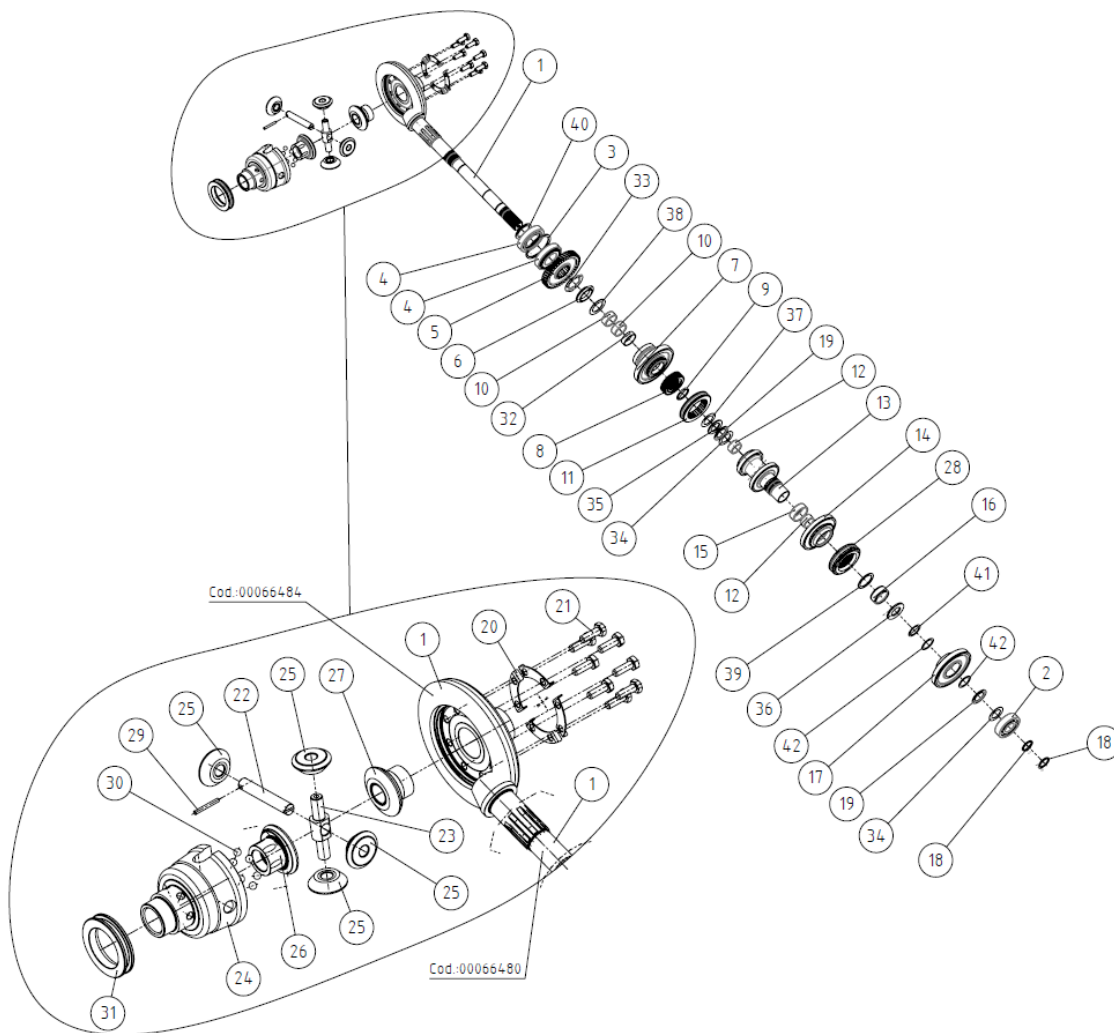
FDM382GR004-GEAR GROUP SERIES E3000



Pos.	Codice	Descrizione	Q.tà
1	FDM382GR002	GR. REAR GEAR, SECONDARY SHAFT AND DIFF. E45-60	1
2	FDM382GR001	REAR TRANSMISSION PRIMARY SHAFT GROUP SERIES 2000 E	1
3	FDM413GR004	REAR PTO COVER ASSEMBLY SERIES E3000	1
4	FDM373GR001	GROUP SHAFT AND SHIFT LEVER SERIES E2000	1
5	FDM412GR001	PTO CLUTCH GROUP SERIES E3000	1
6	FDM383GR001	REAR DIFFERENTIAL LOCKING CONTROL UNIT (SERIES E3000)	1
7	FDM431GR001	REAR LEFT BRAKE ASSEMBLY SERIES 2000E	1
8	FDM432GR001	RIGHT REAR BRAKE ASSEMBLY SERIES 2000E	1
9	FDM382GR003	TRANSMISSION SUMP AND COVER E3000 GR. SERIES	1
10	FDM413GR005	PTO LEVER CONTROL UNIT SERIES E3000 (RS)	1

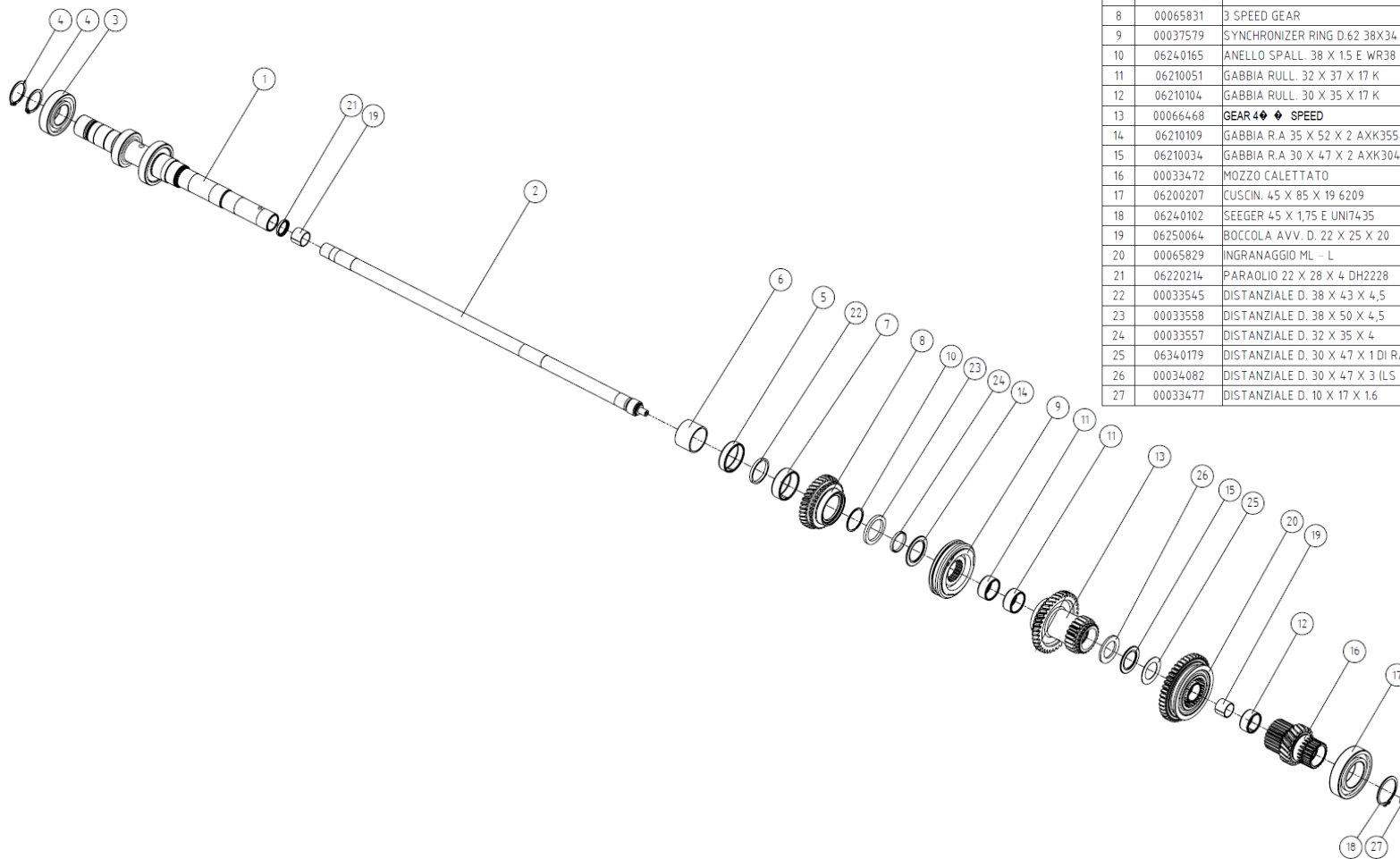


FDM382GR002-GR. REAR GEAR, SECONDARY SHAFT AND DIFF. E45-60 RS



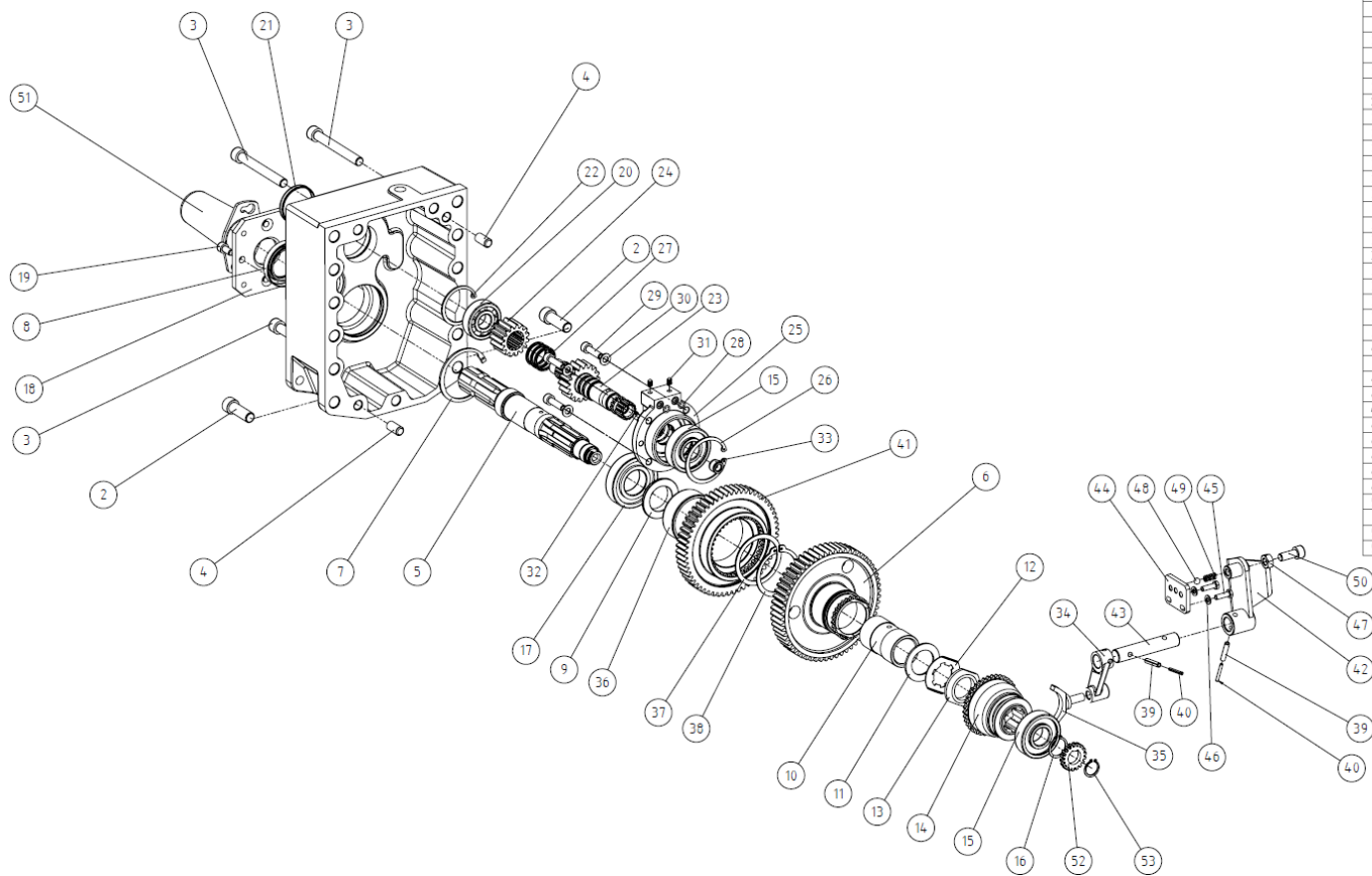
Pos.	Codice	Descrizione	Q.tà
1	00066979	COMPLETE REAR HELICAL BEVEL GEAR	1
2	06200052	CUSCIN. 30 X 72 X 19 6306	1
3	06240037	SEEGER 80 X 2.5 I UNI7437	1
4	06200094	CUSCIN. 40 X 80 X 18 30208	2
5	00065830	MID- HIGH SPEED GEAR	1
6	00033530	GHIERA M40 X 1,5	1
7	00066467	MID LOW - LOW GEAR	1
8	00066390	MANICOTTO FISSO	1
9	06240021	SEEGER 35 X 1,5 E UNI7435	1
10	06210106	GABBIA RULL. 35 X 40 X 17 K	2
11	00065482	ANELLO D'INNESTO	1
12	06210104	GABBIA RULL. 30 X 35 X 17 K	2
13	00066476	INGRANAGGIO 2-3	1
14	00065832	SECOND SPEED GEAR	1
15	06210092	GABBIA RULL. 45 X 50 X 17 K	1
16	06210070	GABBIA RULL. 40 X 48 X 20 K	1
17	00065833	FIRST SPEED GEAR	1
18	06240046	SEEGER 30 X 2 E UNI7436	2
19	06210034	GABBIA R.A 30 X 47 X 2 AXK304	2
20	00033697	LAMIERINO FERMAVITE	4
21	00033446	VITE 12.9 M10X30 - CLASSE 12.9	8
22	00065477	PERNO SATELLITI	1
23	00065476	PERNO SATELLITI	1
24	00065650	SCATOLA DIFF.LE POST.	1
25	00065478	SATELLITE CONICAL GEAR Z=12	4
26	00065479	INGRANAGGIO CONICO Z= 18 PLANETARIO	1
27	00065480	INGRANAGGIO CONICO Z= 18 PLANETARIO	1
28	00037747	COMPLETE SYNCHRONIZER RING D.62	1
29	00033698	PIN D. 5 X 42	1
30	06330010	SFERA D. 10 RB 10 CL.III	6
31	00065651	ANELLO D'INNESTO BLOCC. DIFF.	1
32	00033498	DISTANZIALE D. 36 X 40.5 X 12	1
33	00033531	ROND. D. 36.5 X 60 X 1.2 36(UNI 220)	1
34	06340179	DISTANZIALE D. 30 X 47 X 1 DI RASAMENTO	2
35	00034082	DISTANZIALE D. 30 X 47 X 3 (LS 3047)	1
36	00035795	DISTANZIALE D. 30.5 X 55 X 4	1
37	00033546	DISTANZIALE D. 30.2 X 47 X 0.5	1
38	00033671	DISTANZIALE D. 35 X 53 X 1.5	1
39	00033492	DISTANZIALE D. 40 X 52 X 1.5	1
40	00033583	DISTANZIALE D. 40 X 52 X 2.5	1
41	00009426	DISTANZIALE D. 30 X 40 X 0.1	1
42	00000219	DISTANZIALE D. 30 X 40 X 0.4	2

FDM382GR001-REAR TRANSMISSION PRIMARY SHAFT GROUP SERIES 2000 E



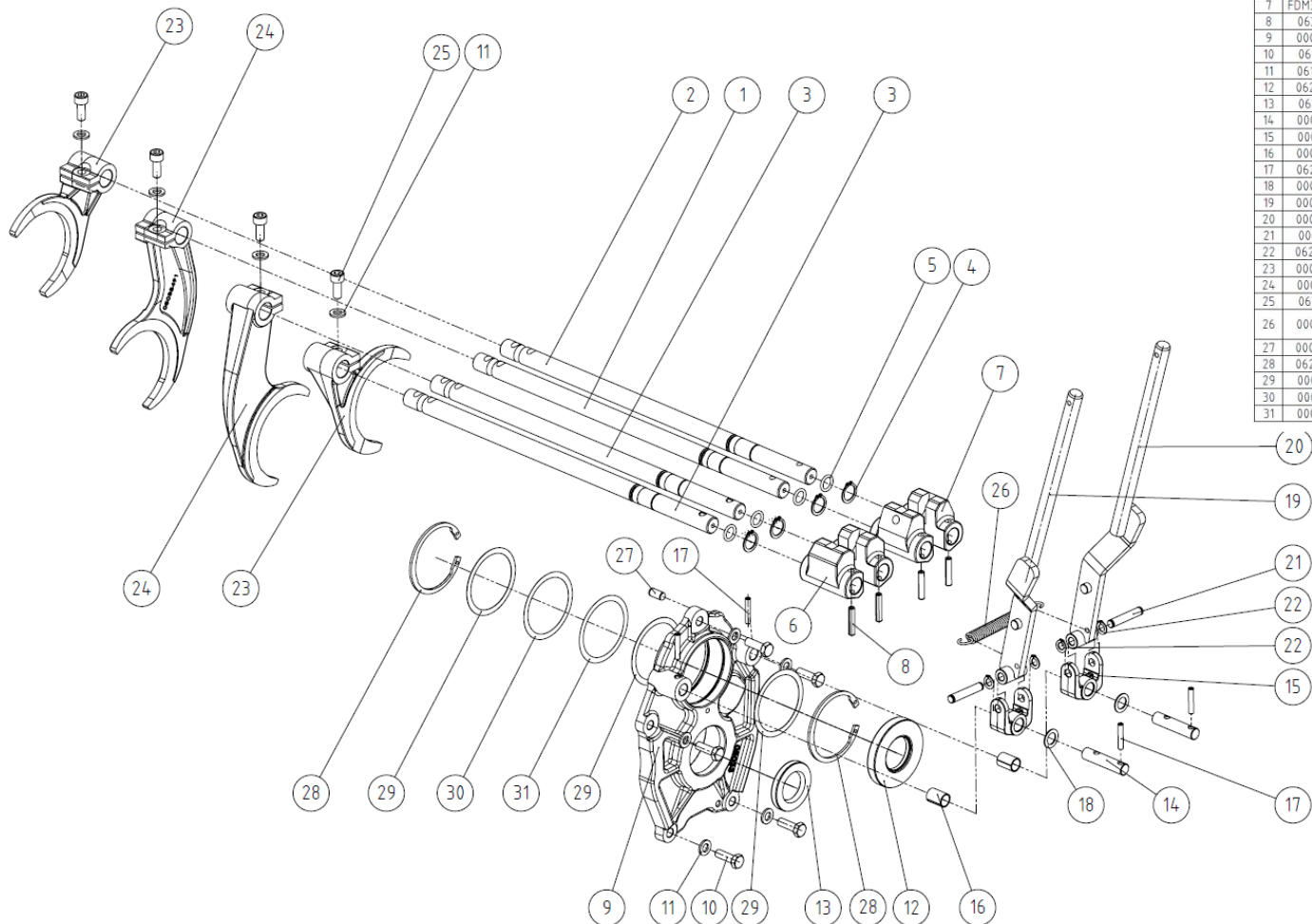
Pos.	Codice	Descrizione	Q.tà
1	00066473	ALBERO PRIMARIO POSTERIORE MAXTER	1
2	00035819	ALBERO PDF	1
3	06200054	CUSCIN. 35 X 72 X 17 6207	1
4	06240021	SEEGER 35 X 1,5 E UNI7435	2
5	06210108	GABBIA RULL. 45 X 50 X 13 K	1
6	06210084	ANELLO INT. 40 X 45 X 30 IR INA	1
7	06210092	GABBIA RULL. 45 X 50 X 17 K	1
8	00065831	3 SPEED GEAR	1
9	00037579	SYNCHRONIZER RING D.62 38X34 DIN 5482	1
10	06240165	ANELLO SPALL. 38 X 1,5 E WR38	1
11	06210051	GABBIA RULL. 32 X 37 X 17 K	2
12	06210104	GABBIA RULL. 30 X 35 X 17 K	2
13	00066468	GEAR 4 SPEED	1
14	06210109	GABBIA R.A 35 X 52 X 2 AXK355	1
15	06210034	GABBIA R.A 30 X 47 X 2 AXK304	1
16	00033472	MOZZO CALETTATO	1
17	06200207	CUSCIN. 45 X 85 X 19 6209	1
18	06240102	SEEGER 45 X 1,75 E UNI7435	1
19	06250064	BOCCOLA AVV. D. 22 X 25 X 20	2
20	00065829	INGRANAGGIO ML - L	1
21	06220214	PARAOILIO 22 X 28 X 4 DH2228	1
22	00033545	DISTANZIALE D. 38 X 43 X 4,5	1
23	00033558	DISTANZIALE D. 38 X 50 X 4,5	1
24	00033557	DISTANZIALE D. 32 X 35 X 4	1
25	06340179	DISTANZIALE D. 30 X 47 X 1 DI RASAMENTO	1
26	00034082	DISTANZIALE D. 30 X 47 X 3 (LS 3047)	1
27	00033477	DISTANZIALE D. 10 X 17 X 1,6	1

FDM413GR004-REAR PTO COVER ASSEMBLY SERIES E3000



Pos.	Codice	Descrizione	Q.tà
1	00033480	COPERCHIO POSTERIORE PDF	1
2	06130036	VITE TCEI M14 X 40 8.8 UNI5931	2
3	06130065	VITE TCEI M12 X 100 8.8 UNI5931	3
4	00010954	PERNO RIFER. D. 12 X 25 UNI 2338	2
5	FDM41201102	PTO SHAFT 2000E	1
6	00066249	PTO GEAR	1
7	06240034	SEEGER 72 X 2.5 I UNI7437	1
8	06220147	PARAOLIO 4.0 X 62 X 10 AS	1
9	00033489	DISTANZIALE D. 35.2 X 56 X 11	1
10	00033486	AXLE BOX D. 35 X 45 X 74.3	1
11	00033485	DISTANZIALE D. 35 X 53 X 2.5	1
12	00033520	DISTANZIALE D. 28.5 X 54 X 1.2	1
13	00033521	RING M35 X 1.5	1
14	00066309	MANICOTTO SELEZ. PDF	1
15	06200041	CUSCIN. 25 X 62 X 17 6305	2
16	06240016	SEEGER 25 X 1.2 E UNI7435	1
17	06200054	CUSCIN. 35 X 72 X 17 6207	1
18	00039057	FLANGIA COPERCHIO PDF	1
19	06130067	VITE TCEI M8 X 16 8.8 ZN UNI5931	2
20	06200272	CUSCIN. 20 X 52 X 15 N3304ECP	1
21	00005923	COPERCHIO CHIUSURA D. 52	1
22	06240029	SEEGER 52 X 2 I UNI7437	1
23	00065684	ALBERO POST. FRIZ. PTO	1
24	00065821	INGRANAGGIO PDF	1
25	00037829	SUPPORTO ALBERO POST.	1
26	06240032	SEEGER 62 X 2 I UNI7437	1
27	mk06340501	ANELLO OJADRING KSA D.28	3
28	06230152	ANELLO OR 6.35 X 1.19 / 106	2
29	06130018	VITE TCEI M8 X 30 8.8 ZN UNI5931	4
30	06180082	ROND. P.D. 8.4 X 16 X 1.6 UNI6592	4
31	06370560	TAPPO KOENIG EXPANDER D.6	2
32	06370559	TAPPO KOENIG EXPANDER D.4	1
33	06210105	GABBIA RULL. 10 X 16 X 12 SKF	1
34	00033501	LEVA INTERNA PDF	1
35	00033502	FORCELLA COMANDO PDF	1
36	06210107	GABBIA RULL. 60 X 68 X 25 K	1
37	00033465	DISTANZIALE D. 60 X 72 X 2	1
38	06240031	SEEGER 60 X 2 E UNI7435	1
39	06260044	SPINA EL 6 X 30 UNI6873	2
40	06260071	SPINA EL 3.5 X 30 UNI6873	2
41	00066143	FAST PTO GEAR	1
42	00033632	LEVA PTO	1
43	00039055	PERNO D. 18 X 96.5	1
44	00033513	PIASTRINA DI SELEZIONE	1
45	06100013	VITE TE M6 X 20 8.8 ZN UNI5739	2
46	06180118	ROSETTA CON. D. 6.4 X 12 X 1.4 ZN UNI883	2
47	06120008	DADO M10 X 8 CL.8 ZN UNI5588	1
48	06330201	SFERA D. 7.938 RB CL.III 5/16	1
49	00025474	MOLLA DI COMPRESIONE	1
50	06130025	VITE TCEI M10 X 25 8.8 ZN UNI5931	1
51	00022007	COPERCHIO PRESA DI FORZA	1
52	FDM4110101	PHONIC WHEEL PTO 2000E	1
53	06240012	SEEGER 20 X 1.2 E UNI7435	1

FDM373GR001-GROUP SHAFT AND SHIFT LEVER SERIES E2000

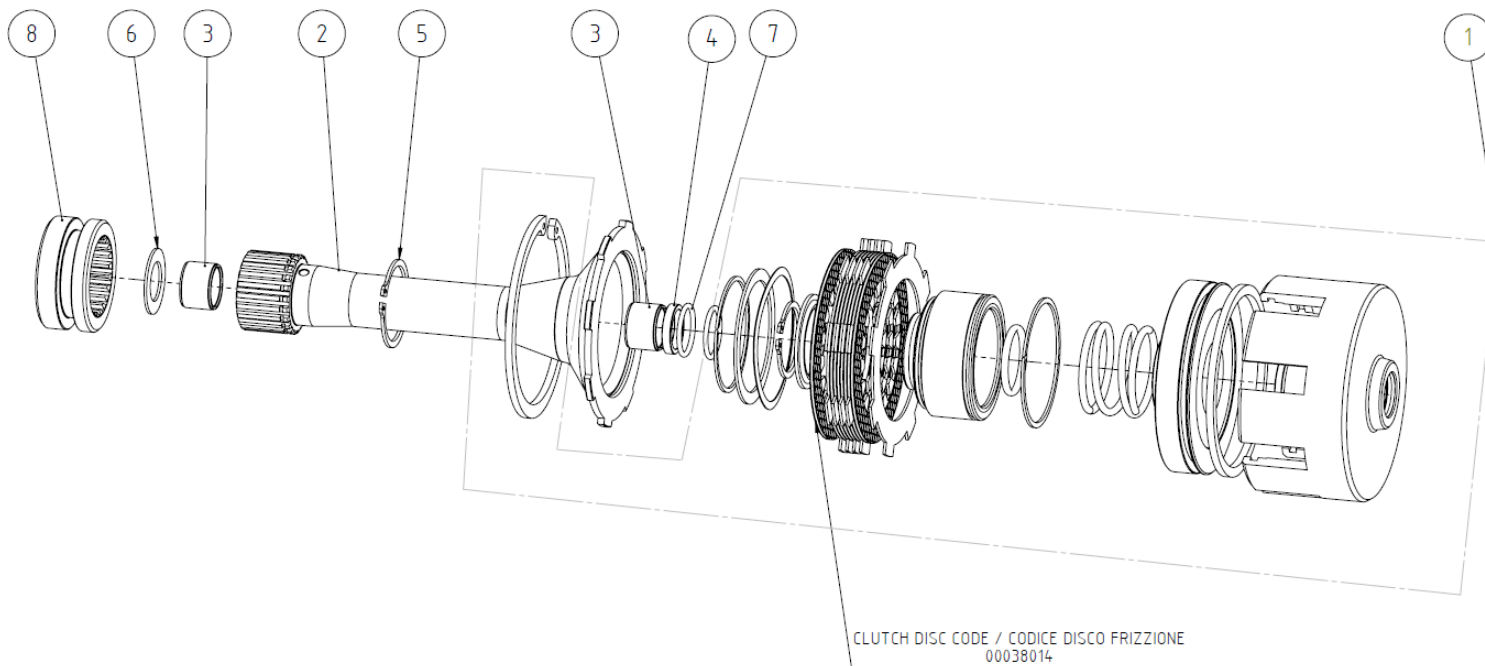


Pos.	Codice	Descrizione	Q.ta
1	00033507	ASTA COMDO CAMBIO M-L	1
2	00033508	ASTA COMDO CAMBIO V-M	1
3	00064617	ASTA COMDO CAMBIO	2
4	06240011	SEEGER 17 X 1 E UNI7435 SEEGER 17 X 1 E	4
5	06230008	ANELLO OR 12,37 X 2,62 3050	4
6	00033503	BOCCOLA GUIDA ASTE CAMBIO	2
7	FDM374.01101	MANICOTTO DI SELEZIONE	2
8	06260122	SPINA EL 6 X 30 SPIROL UNI6876	4
9	00043194	COPERCHIO	1
10	06100021	VITE TE M8 X 25 8.8 ZN UNI5739	5
11	06180094	ROSETTA CON. D. 8,7 X 16 X 1,9 ZN	9
12	06220084	OIL SEAL 30 X 72 X 10 AS	1
13	06220181	PARAOILIO 30 X 52 X 7 AS NBR	1
14	00033514	PERNO D. 12 X 54 PER FORCELLA	2
15	00033512	FORCELLA LEVA CAMBIO	2
16	00022977	BOCCOLA AVV. D. 12 X 14 X 20	2
17	06260099	SPINA EL 5 X 28 SPIROL UNI6875	4
18	00026099	DISTANZIALE D. 12,5 X 19,9 X 1	2
19	00045972	LEVA DES. COMANDO CAMBIO	1
20	00045973	LEVA SIN. COMANDO RIDUTTORE	1
21	00033511	PERNO D. 8 X 45	2
22	06240044	SEEGER 8 X 0,8 E UNI7435	4
23	00033469	FORCELLA COMANDO CAMBIO	2
24	00033491	FORCELLA COMANDO CAMBIO	2
25	06130016	VITE TCEI M8 X 20 8.8 ZN UNI5931	4
26	00000585	MOLLA D. 12 L= 95 F= 2 RICHIAMO FORCELLA	1
27	00033449	PERNO D. 8 X 16 DI RIFERIMENTO	2
28	06240034	SEEGER 72 X 2,5 I UNI7437	2
29	00016882	DISTANZIALE D. 60 X 715 X 0,4	3
30	00016883	DISTANZIALE D. 60 X 715 X 0,2	1
31	00016884	DISTANZIALE D. 60 X 715 X 0,1	1

FDM412GR001-PTO CLUTCH GROUP SERIES E3000



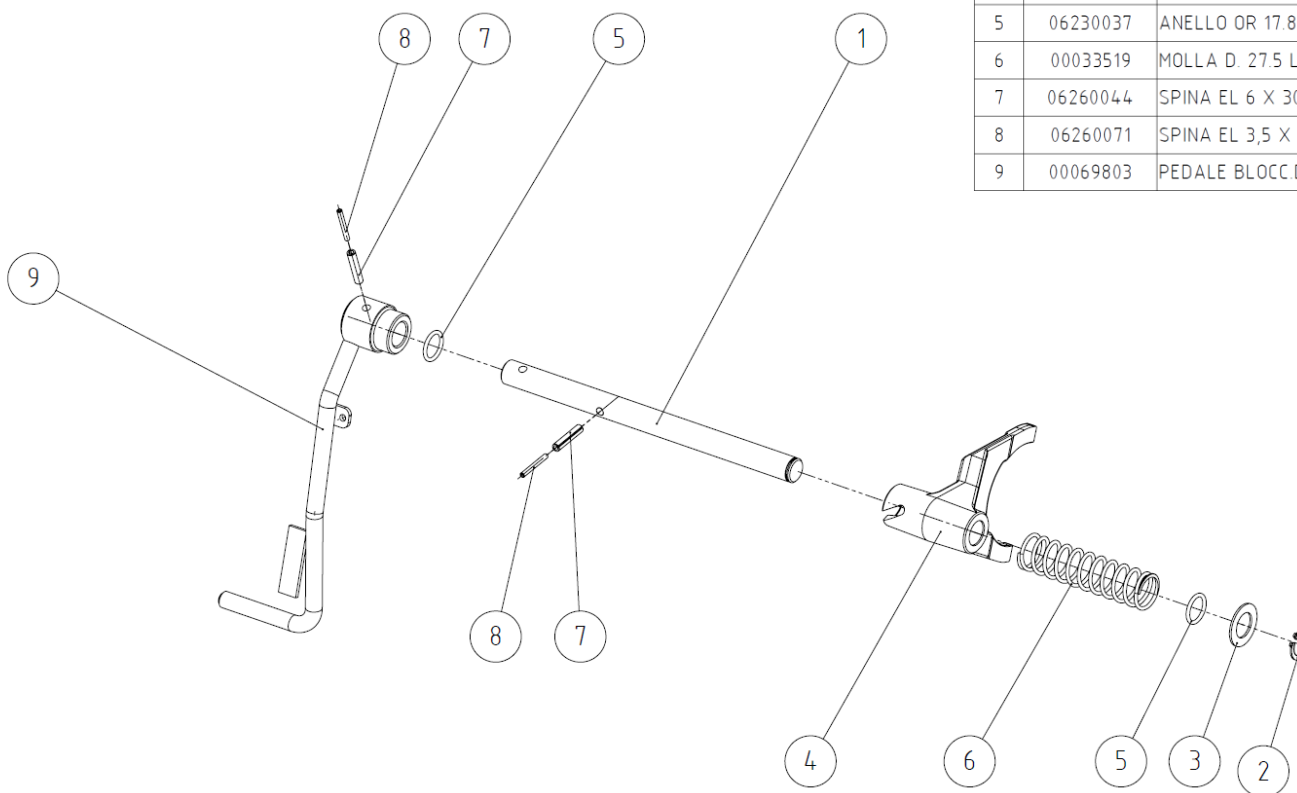
Pos.	Codice	Descrizione	Q.tà
1	00037789	FRIZIONE SING. 4 " IDRAULICA PDF	1
2	00066487	ALBERO PTO SINCRONIZZATA	1
3	06210111	GABBIA RULL. 22 X 26 X 18 K	2
4	00035824	DISTANZIALE D. 22.2 X 28 X 5	1
5	06240102	SEEGER 45 X 1,75 E UNI7435	1
6	00035820	DISTANZIALE D. 22,5 X 37 X 1,5	1
7	06230007	ANELLO OR 25.07 X 2.62 / 3100	2
8	00066032	PDF COUPLING SLEEVE	1



FDM383GR001-REAR DIFFERENTIAL LOCKING CONTROL UNIT (SERIES E3000)



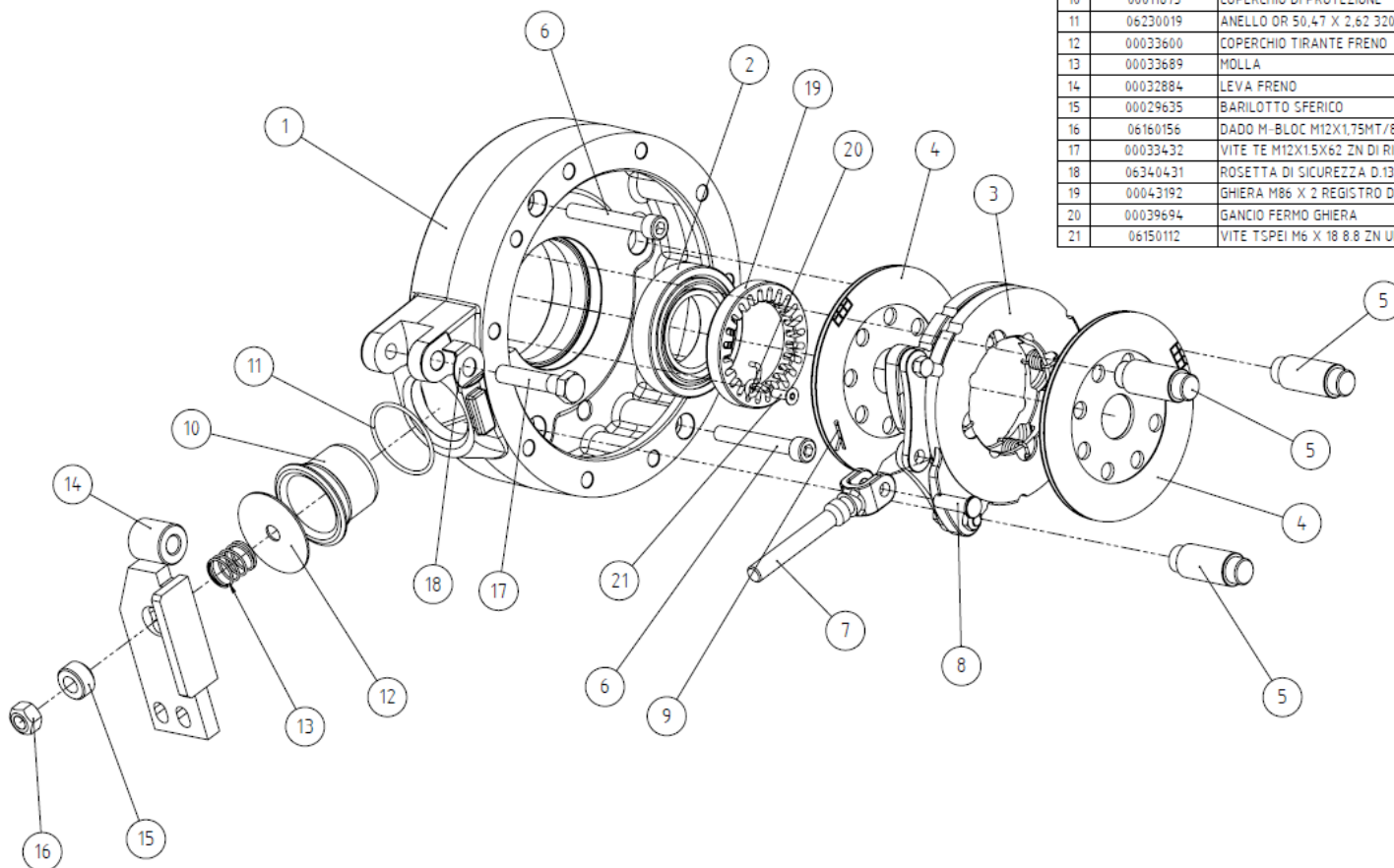
Pos.	Codice	Descrizione	Q.tà
1	00041115	PERNO D. 18 X 251 BLOCC. DIFF. LATO DX	1
2	06240043	SEEGER 18 X 1,2 E UNI7435	1
3	00033568	DISTANZIALE D. 19 X 32 X 1.5	1
4	00033516	FORCELLA DIFFERENZIALE	1
5	06230037	ANELLO OR 17.86 X 2.62 /123	2
6	00033519	MOLLA D. 27.5 L= 104.5 F= 2.5 COMPRESSIO	1
7	06260044	SPINA EL 6 X 30 UNI6873	2
8	06260071	SPINA EL 3,5 X 30 UNI6873	2
9	00069803	PEDALE BLOCC.DIFF.	1



FDM431GR001-REAR LEFT BRAKE ASSEMBLY SERIES 2000E



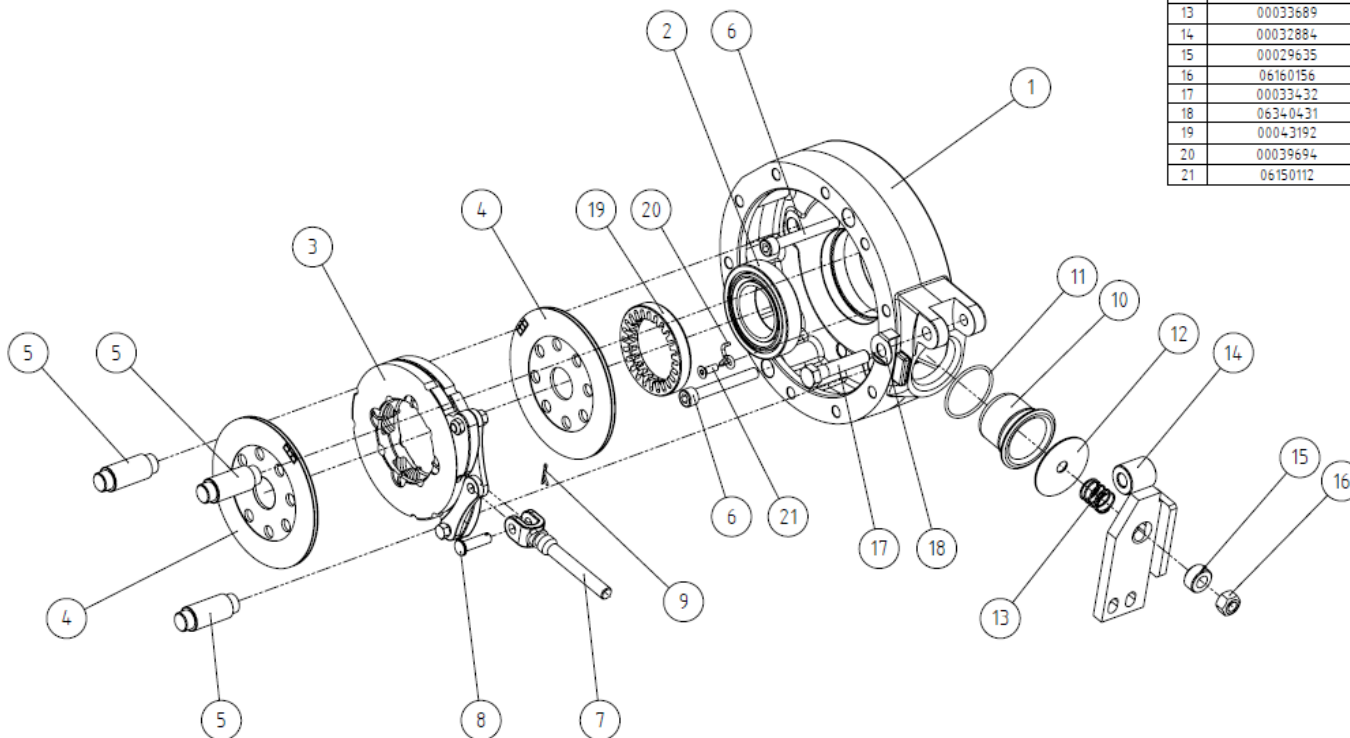
Pos.	Codice	Descrizione	Q.tà
1	FDM43101110	LEFT BRAKE COVER	1
2	06200231	CUSCIN. 50 X 90 X 20 30210	1
3	00033678	FLANGIA MASSA FRENANTE COMPL.	1
4	00065459	DISCO FRENO	2
5	00033595	PERNO	3
6	00017909	VITE 12.9 TCEI M10X75	2
7	00033599_03_0000	TIRANTE FRENO	1
8	00033677	PERNO D. 9.4 X 33	1
9	06270013	COPIGLIA 2 X 20 ZN UNI1336	1
10	00011675	COPERCHIO DI PROTEZIONE	1
11	06230019	ANELLO OR 50,47 X 2,62 3200	1
12	00033600	COPERCHIO TIRANTE FRENO	1
13	00033689	MOLLA	1
14	00032884	LEVA FRENO	1
15	00029635	BARILOTTO SFERICO	1
16	06160156	DADO M-BLOC M12X1,75MT/8G - DIN 980	1
17	00033432	VITE TE M12X15X62 ZN DI RIFERIMENTO	1
18	06340431	ROSETTA DI SICUREZZA D.13 ZN UNI 6600	1
19	00043192	GHIERA M86 X 2 REGISTRO DIFF.	1
20	00039694	GANCIO FERMO GHIERA	1
21	06150112	VITE TSPEI M6 X 18 8.8 ZN UNI5933	1



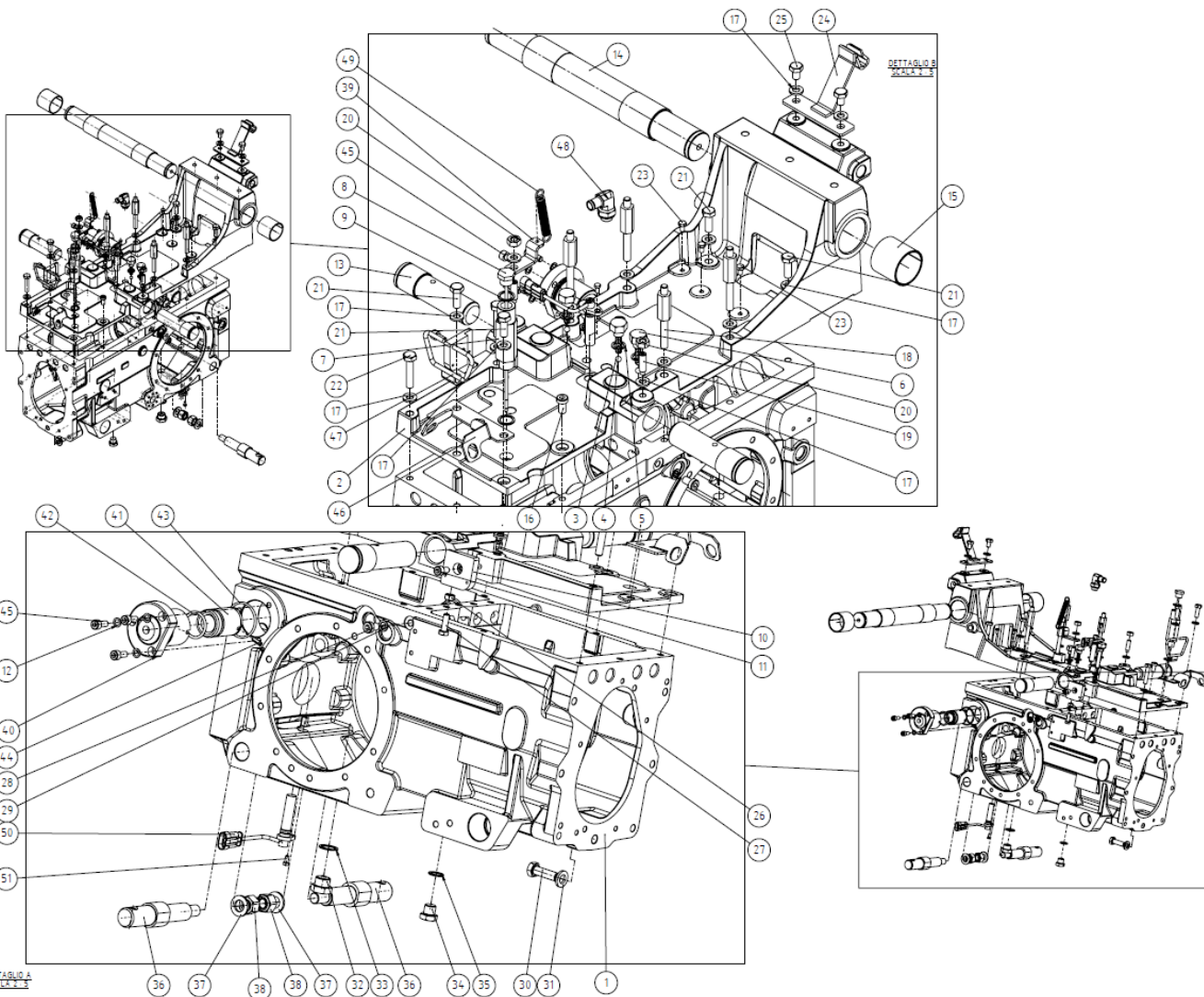
FDM432GR001-RIGHT REAR BRAKE ASSEMBLY SERIES 2000E



Pos.	Codice	Descrizione	Q.tà
1	FDM43201105	RIGHT BRAKE COVER	1
2	06200231	CUSCIN. 50 X 90 X 20 30210	1
3	00033678	FLANGIA MASSA FRENANTE COMPL.	1
4	00065459	DISCO FRENO	2
5	00033595	PERNO	3
6	00017909	VITE 12.9 TCEI M10X75	2
7	00033599_03_0000	TIRANTE FRENO	1
8	00033677	PERNO D. 9.4 X 33	1
9	06270013	COPIGLIA 2 X 20 ZN UNI1336	1
10	00011675	COPERCHIO DI PROTEZIONE	1
11	06230019	ANELLO OR 50.47 X 2.62 3200	1
12	00033600	COPERCHIO TIRANTE FRENO	1
13	00033689	MOLLA	1
14	00032884	LEVA FRENO	1
15	00029635	BARILOTTO SFERICO	1
16	06160156	DADO M-BLOC M12X1,75MT/8G - DIN 980	1
17	00033432	VITE TE M12X1,5X62 ZN DI RIFERIMENTO	1
18	06340431	ROSETTA DI SICUREZZA D.13 ZN UNI 6600	1
19	00043192	GHIERA M86 X 2 REGISTRO DIFF.	1
20	00039694	GANCIO FERMO GHIERA	1
21	06150112	VITE TSPEI M6 X 18 8.8 ZN UNI5933	1



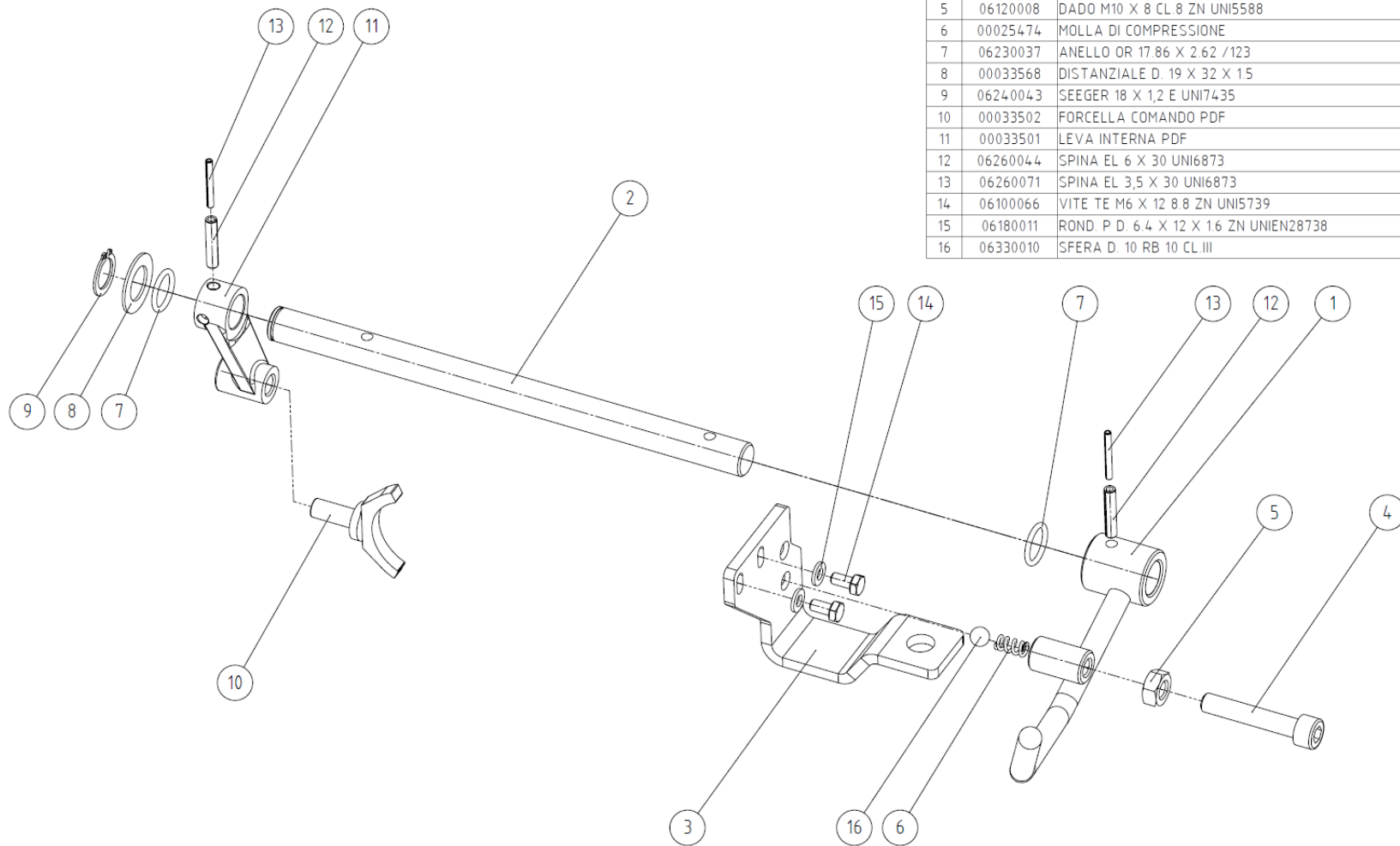
FDM382GR03-TRANSMISSION SUMP AND COVER E3000 GR. SERIES



Pos.	Codice	Descrizione	Q.tà
1	FDM37101104	GEARBOX CRANKCASE	1
2	FDM37101103	GEAR SUMP COVER 2000E	1
3	06330201	SPERA D. 7.938 RB CL.III 5/16	4
4	00033672	MOLLA D. 6.75 L= 26.5 F= 1.7 COMPRESSION	4
5	06180074	ROND. RAME D. 14.2 X 20 X 1.5	4
6	00033515	TAPPO M14 X 11	4
7	00037901	DISTANZIALE IMMISSIONE OLIO	1
8	00027635	TAPPO LIVELLO OLIO	1
9	06180057	ROND. RAME D. 18.3 X 24 X 1.5	2
10	00065296	DIFF. BLOCK INTER. METAL SHEET	1
11	06130057	VITE TCEI M8 X 16.8 ZN UNIS931	1
12	06180064	ROND. SCHNORR D. 8 ZN D	4
13	00033648	PERNO D. 4.0 X 14.0 CILINDRO SOLL.	2
14	00033645	ALBERO SOLLEVATORE	1
15	06250059	BOCCOLA AVV. D. 50 X 55 X 50	2
16	06130130	VITE TCEI M10 X 20 8.8 DIN7984 (T.RIBAS.	2
17	06180096	ROSETTA CON. D. 10.5 X 20 X 2.6 ZN	14
18	00032954	DISTANZIALE FIL. M/M M10	4
19	06140039	VITE STEI M10X35 UNIS925	2
20	06120008	DADO M10 X 8 CL. 8 ZN UNIS588	2
21	06100030	VITE TE M10 X 30 8.8 ZN UNIS739	4
22	06110026	VITE TE M10 X 50 8.8 ZN UNIS737	2
23	06100011	VITE TE M6 X 10 8.8 ZN UNIS739	3
24	00033722	SUPPORTO BRACCIO TERZO PUNTO	1
25	06100027	VITE TE M10 X 16 8.8 ZN UNIS739	2
26	06120048	DADO M8 X 6.5 CL. 8 ZN UNIS588	1
27	06100021	VITE TE M8 X 25 8.8 ZN UNIS739	1
28	06130148	VITE TCEI M10 X 16 DIN7984 RIBASSATA	2
29	06180059	ROND. RAME D. 10.3 X 16 X 1.5	2
30	06100041	VITE TE M12 X 40 8.8 ZN UNIS739	1
31	06180093	ROSETTA CON. D. 13.4 X 24 X 3.2 ZN UNI88	1
32	00020012	TAPPO MAGNETICO 1/2 GAS	1
33	06180061	ROND. RAME D. 21.5 X 27 X 1.5	1
34	00034570	TAPPO M16 X 1.5 X 14	1
35	06180049	ROND. RAME D. 17 X 22 X 1.5 3/8" GAS	1
36	00032998	PERNO FULCRO BRACCI INF.	2
37	06180021	ROND. P. D. 17 X 30 X 3 ZN UNIS692	2
38	06160014	DADO AUTOB. M16 X 18 CL. 8 ZN UNI7473	2
39	FDM38301109	LAMA ATTACCO MOLLA	1
40	00033551	CILINDRO FRENO PTO	1
41	00033552	PISTONE FRENO	1
42	06230106	ANELLO OR 32.93 X 3.53 / 413	1
43	m06230103	ANELLO OR 45.89X2.82/318	1
44	06260129	SPINA EL. 5 X 16 SPIROL UNIS875	1
45	06130016	VITE TCEI M8 X 20 8.8 ZN UNIS931	3
46	FDM1401101	Gears levers sensors support	1
47	00034352	PROTEZIONE TUBI	1
48	06360153	RACCORDO GOMITO M/M 3/8" - PG15	1
49	00000585	MOLLA D. 12 L= 95 F= 2 RICHIAMO FORCELLA	1
50	FDM48901107	SPEED GEAR SENSOR L=60mm	2
51	06100153	VITE TE M5 X 10 8.8 ZN UNIS739	2

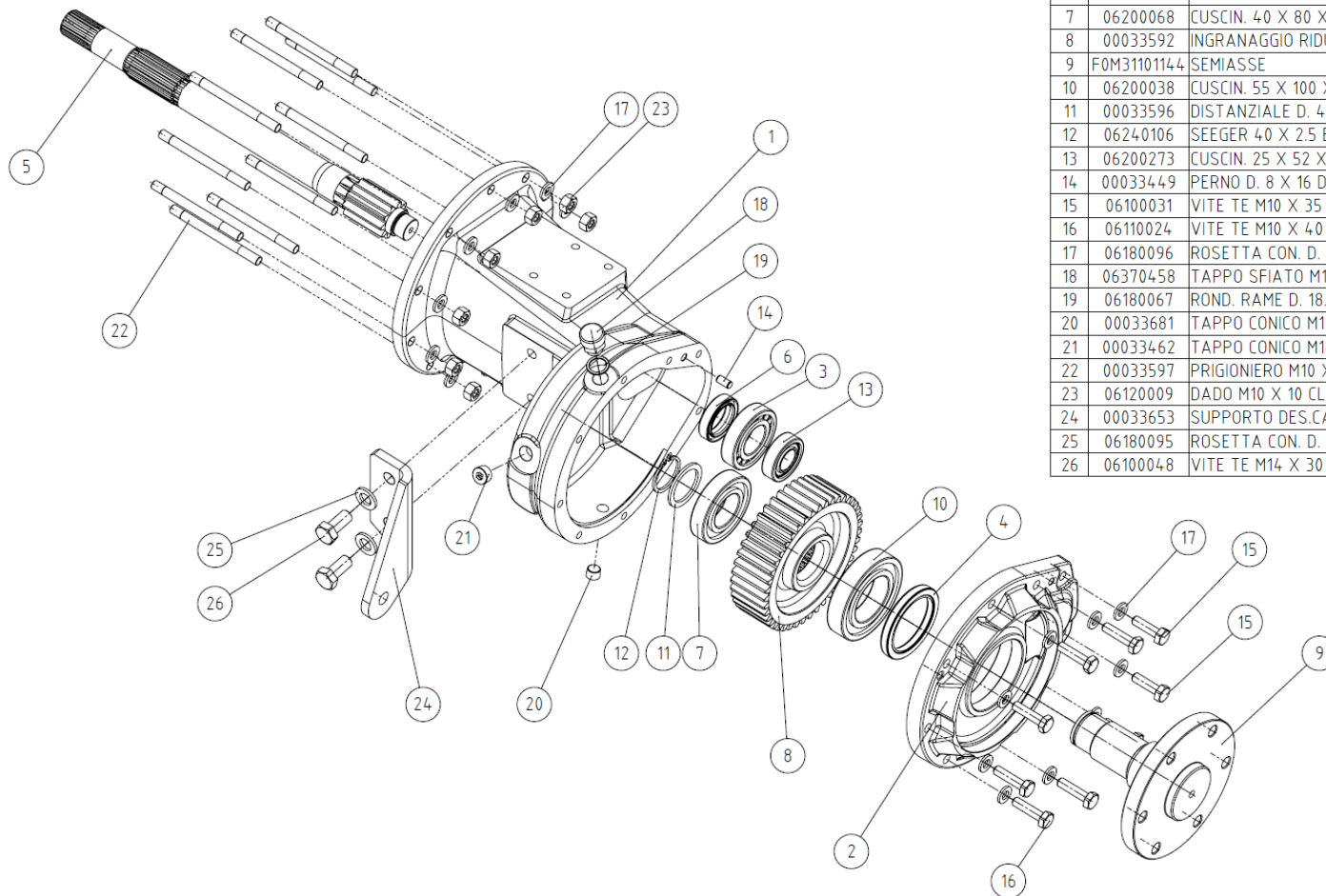


FDM413GR005-PTO LEVER CONTROL UNIT SERIES E3000 (RS)



Pos.	Codice	Descrizione	Q.tà
1	FDM41301001	PTO SELECTION LEVER SERIES "E"	1
2	00041117	PERNO D. 18 X 271 COM. PTO	1
3	FDM51401102	SELECTION PLATE PTO SERIES "E" (SW)	1
4	06130030	VITE TCEI M10 X 55 8.8 ZN UNI5931	1
5	06120008	DADO M10 X 8 CL.8 ZN UNI5588	1
6	00025474	MOLLA DI COMPRESIONE	1
7	06230037	ANELLO OR 17.86 X 2.62 / 123	2
8	00033568	DISTANZIALE D. 19 X 32 X 1.5	1
9	06240043	SEEGER 18 X 1,2 E UNI7435	1
10	00033502	FORCELLA COMANDO PDF	1
11	00033501	LEVA INTERNA PDF	1
12	06260044	SPINA EL 6 X 30 UNI6873	2
13	06260071	SPINA EL 3,5 X 30 UNI6873	2
14	06100066	VITE TE M6 X 12 8.8 ZN UNI5739	2
15	06180011	ROND. P.D. 6.4 X 12 X 1.6 ZN UNIEN28738	2
16	06330010	SFERA D. 10 RB 10 CL. III	1

FDM392GR001-RIGHT GEAR UNIT SERIES E3000 RS

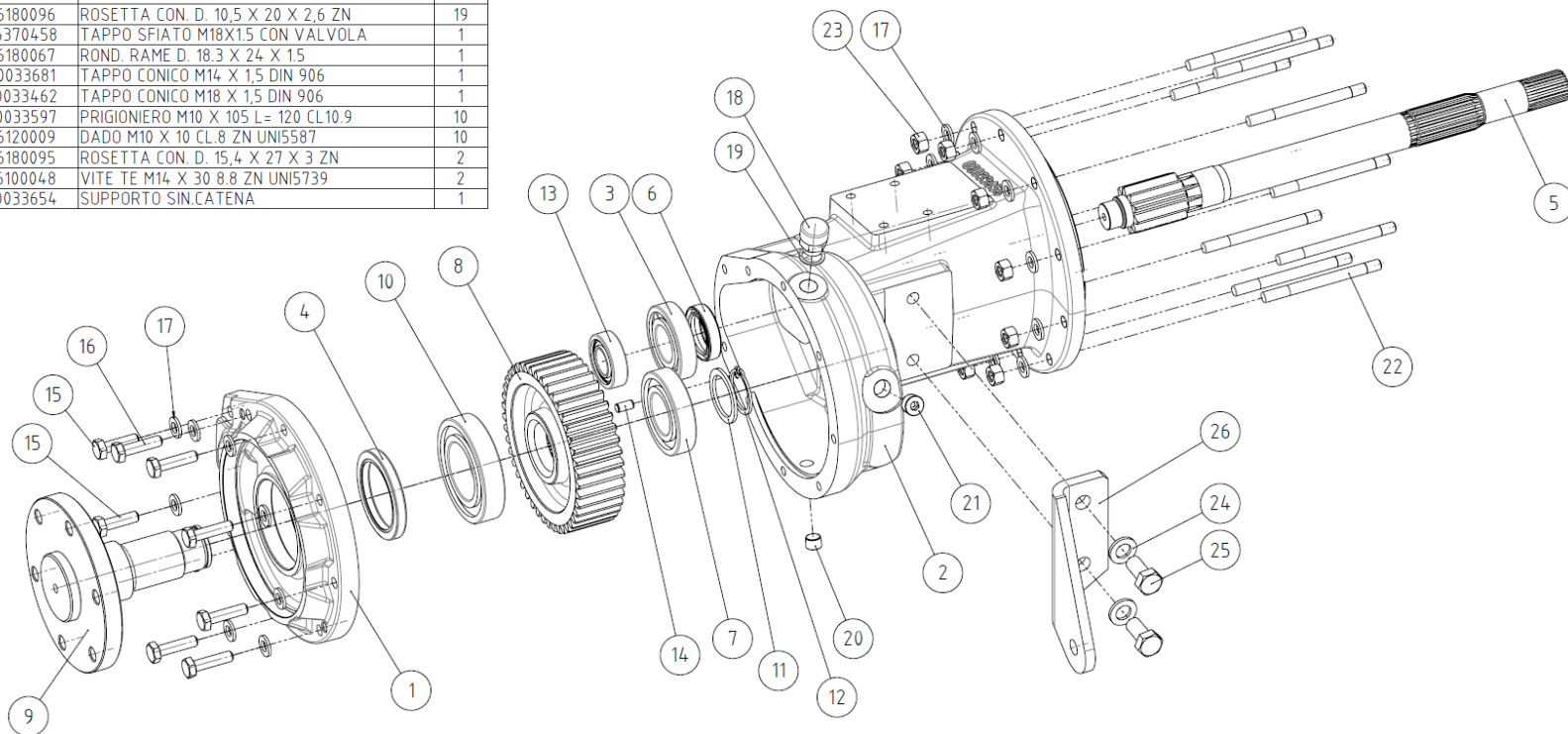


Pos.	Codice	Descrizione	Q.tà
1	00033657	CARTER RIDUTTORE POST.DES.	1
2	00033601	COPERCHIO RIDUTTORE LATERALE	1
3	06200204	CUSCIN. 35 X 72 X 17 NJ 207EC	1
4	06220191	PARAOILIO 65 X 85 X 10 AS NBR	1
5	00066426	PIGNONE SEMIASSE	1
6	06220209	PARAOILIO 35 X 52 X 12 BADUO	1
7	06200068	CUSCIN. 40 X 80 X 18 6208	1
8	00033592	INGRANAGGIO RIDUTTORE	1
9	F0M31101144	SEMIASSE	1
10	06200038	CUSCIN. 55 X 100 X 21 6211	1
11	00033596	DISTANZIALE D. 40 X 52 X 3	1
12	06240106	SEEGER 40 X 2,5 E UNI7436	1
13	06200273	CUSCIN. 25 X 52 X 15 NJ205ECP	1
14	00033449	PERNO D. 8 X 16 DI RIFERIMENTO	1
15	06100031	VITE TE M10 X 35 8.8 ZN UNI5739	2
16	06110024	VITE TE M10 X 40 8.8 ZN UNI5737	7
17	06180096	ROSETTA CON. D. 10,5 X 20 X 2,6 ZN	19
18	06370458	TAPPO SFIATO M18X1,5 CON VALVOLA	1
19	06180067	ROND. RAME D. 18,3 X 24 X 1,5	1
20	00033681	TAPPO CONICO M14 X 1,5 DIN 906	1
21	00033462	TAPPO CONICO M18 X 1,5 DIN 906	1
22	00033597	PRIGIONIERO M10 X 105 L= 120 CL.10.9	10
23	06120009	DADO M10 X 10 CL.8 ZN UNI5587	10
24	00033653	SUPPORTO DES.CATENA	1
25	06180095	ROSETTA CON. D. 15,4 X 27 X 3 ZN	2
26	06100048	VITE TE M14 X 30 8.8 ZN UNI5739	2

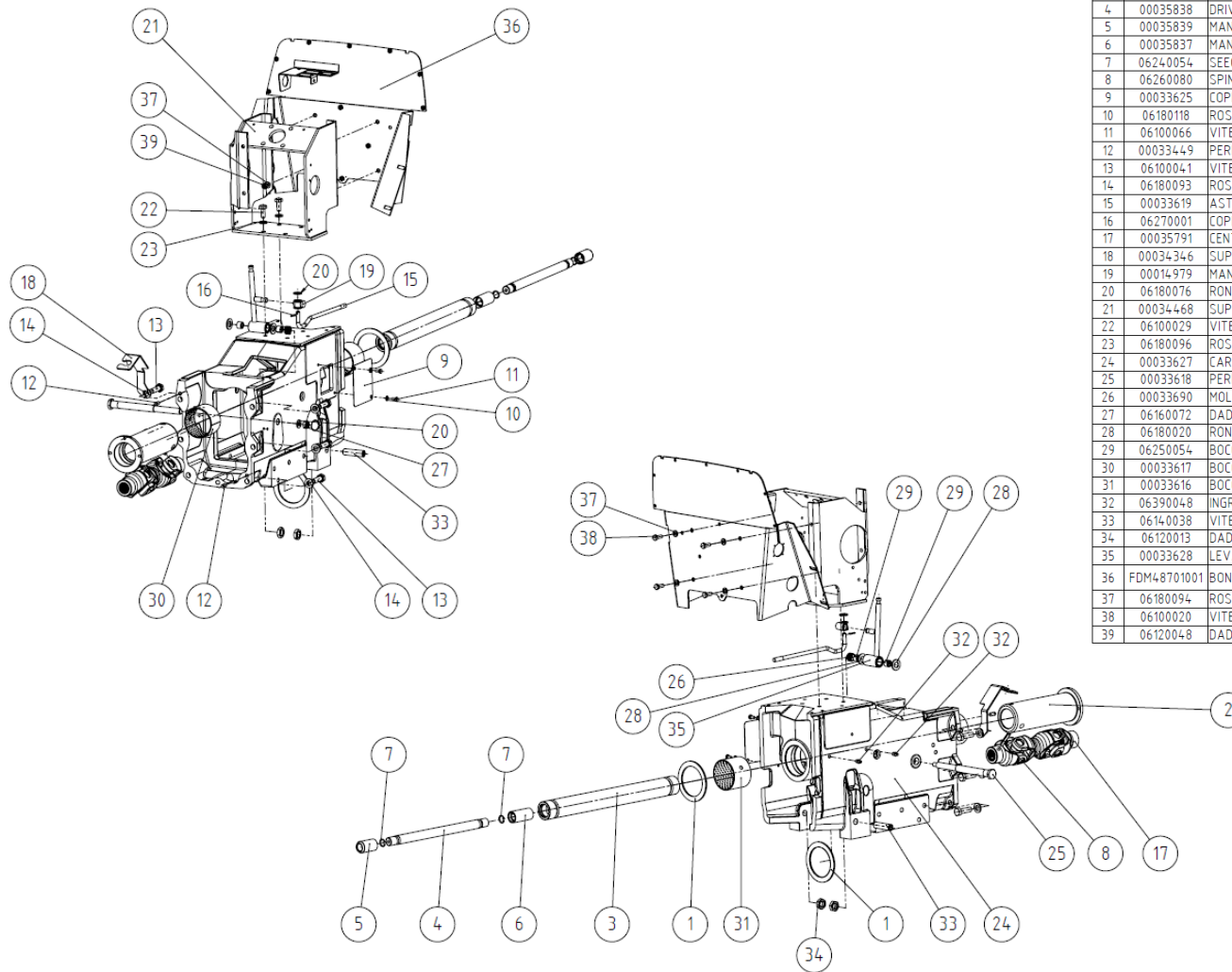
FDM391GR001-LEFT GEAR UNIT SERIES E3000 RS



Pos.	Codice	Descrizione	Q.tà
1	00033601	COPERCHIO RIDUTTORE LATERALE	1
2	00033656	CARTER RIDUTTORE POST.SIN.	1
3	06200204	CUSCIN. 35 X 72 X 17 NJ 207EC	1
4	06220191	PARAOLIO 65 X 85 X 10 AS NBR	1
5	00066426	PIGNONE SEMIASSE	1
6	06220209	PARAOLIO 35 X 52 X 12 BADUO	1
7	06200068	CUSCIN. 40 X 80 X 18 6208	1
8	00033592	INGRANAGGIO RIDUTTORE	1
9	F0M3110144	SEMIASSE	1
10	06200038	CUSCIN. 55 X 100 X 21 6211	1
11	00033596	DISTANZIALE D. 40 X 52 X 3	1
12	06240106	SEEGER 40 X 2.5 E UNI7436	1
13	06200273	CUSCIN. 25 X 52 X 15 NJ205ECP	1
14	00033449	PERNO D. 8 X 16 DI RIFERIMENTO	1
15	06100031	VITE TE M10 X 35 8.8 ZN UNI5739	2
16	06110024	VITE TE M10 X 40 8.8 ZN UNI5737	7
17	06180096	ROSETTA CON. D. 10,5 X 20 X 2,6 ZN	19
18	06370458	TAPPO SFIATO M18X15 CON VALVOLA	1
19	06180067	ROND. RAME D. 18,3 X 24 X 1,5	1
20	00033681	TAPPO CONICO M14 X 1,5 DIN 906	1
21	00033462	TAPPO CONICO M18 X 1,5 DIN 906	1
22	00033597	PRIGIONIERO M10 X 105 L= 120 CL.10.9	10
23	06120009	DADO M10 X 10 CL.8 ZN UNI5587	10
24	06180095	ROSETTA CON. D. 15,4 X 27 X 3 ZN	2
25	06100048	VITE TE M14 X 30 8.8 ZN UNI5739	2
26	00033654	SUPPORTO SIN.CATENA	1



FDM382GR005-CENTRAL JOINT GROUP SERIES E3000 RS

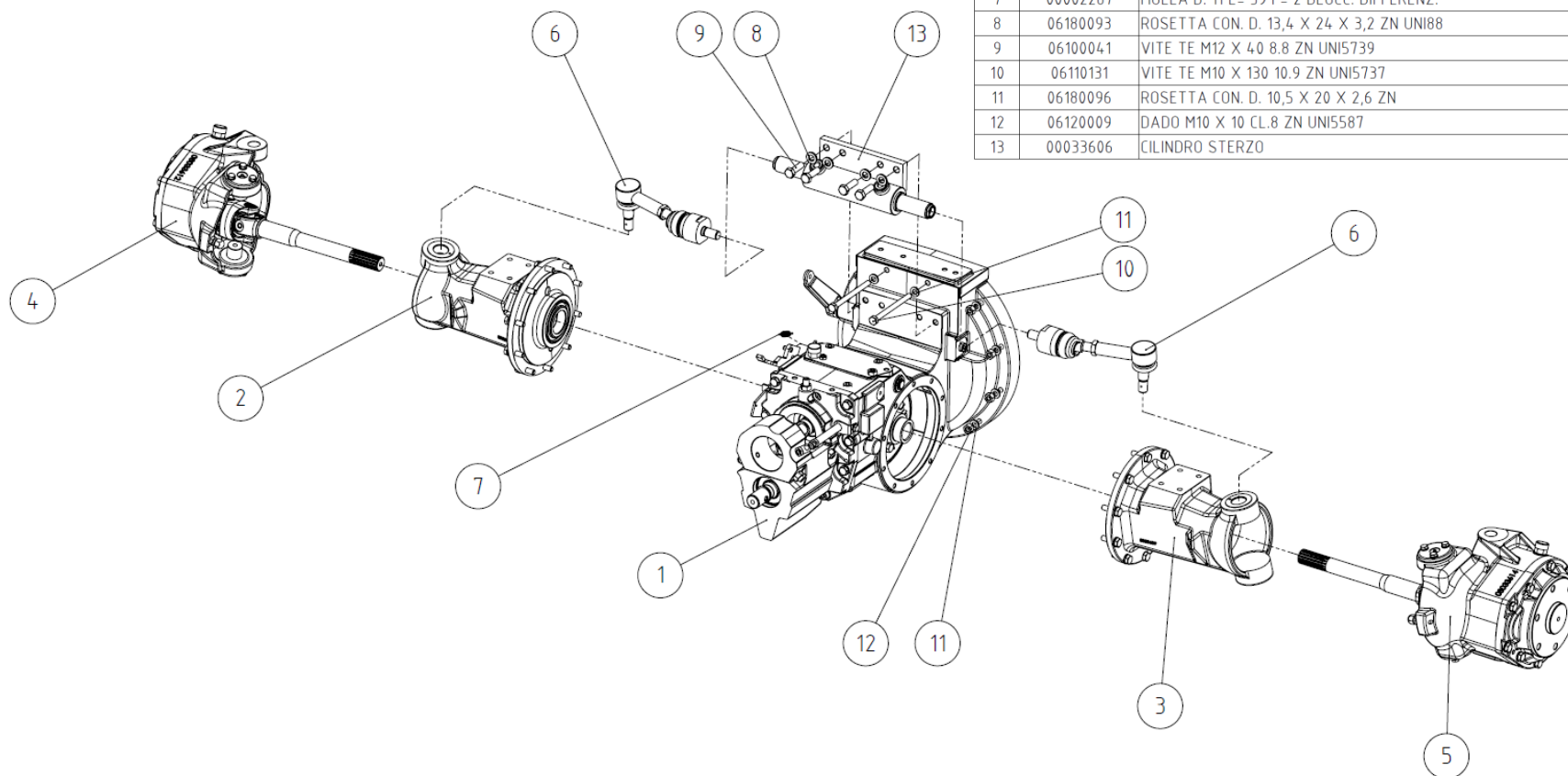


Pos.	Codice	Descrizione	QTY.
1	00033460	DISTANZIALE D. 80 X 106 X 3.5	2
2	00033573	PIVOT SHAFT	1
3	00066120	ALBERO SCANALATO	1
4	00035838	DRIVE SHAFT	1
5	00035839	MANICOTTO	1
6	00035837	MANICOTTO	1
7	06240054	SEEGER 19 X 11 UNI7437	2
8	06260080	SPINA EL 8 X 45 SPIROL UNI6875	1
9	00033625	COPERCIO LATERALE CONGIUNTURA	1
10	06180118	ROSETTA CON. D. 6.4 X 12 X 1.4 ZN UNI883	2
11	06100066	VITE TE M6 X 12 8.8 ZN UNI5739	2
12	00033449	PERNO D. 8 X 16 DI RIFERIMENTO	2
13	06100041	VITE TE M12 X 40 8.8 ZN UNI5739	6
14	06180093	ROSETTA CON. D. 13.4 X 24 X 3.2 ZN UNI88	6
15	00033619	ASTA COM.DO INVERSORE	1
16	06270001	COPIGLIA 2 X 16 ZN UNI1336	1
17	00035791	CENTRAL CARDAN JOINT	1
18	00034346	SUPPORTO SERBATOIO OLIO	1
19	00014979	MANICOTTO SNODO ASTE	1
20	06180076	ROND. P. D. 10.5 X 21 X 2 ZN UNI6592	2
21	00034468	SUPPORTO IDROGUIDA	1
22	06100029	VITE TE M10 X 25 8.8 ZN UNI5739	2
23	06180096	ROSETTA CON. D. 10.5 X 20 X 2.6 ZN	2
24	00033627	CARTER STERZO CENTR.	1
25	00033618	PERNO LEVA INVERSORE	1
26	00033690	MOLLA D. 20.5 L= 17.5 F= 2.5	1
27	06160072	DADO AUTOB. M10 X 10 CL.8 ZN UNI7474	1
28	06180020	ROND. P. D. 15 X 28 X 2.5 ZN UNI6592	2
29	06250054	BOCCOLA AVV. D. 15 X 17 X 12	2
30	00033617	BOCCOLA AVV. D. 75 X 80 X 50	1
31	00033616	BOCCOLA AVV. D. 75 X 80 X 60	1
32	06390048	INGRASSATORE M8 X 1 DIRITTO	2
33	06140038	VITE STEI M16 X 60 UNI5923	2
34	06120013	DADO M16 X 8 CL.8 ZN UNI5589	2
35	00033628	LEVA INVERSORE	1
36	FDM4.8701001	BONNET FIXED SUPPORT	1
37	06180094	ROSETTA CON. D. 8.7 X 16 X 1.9 ZN	8
38	06100020	VITE TE M8 X 20 8.8 ZN UNI5739	4
39	06120048	DADO M8 X 6.5 CL.8 ZN UNI5588	4

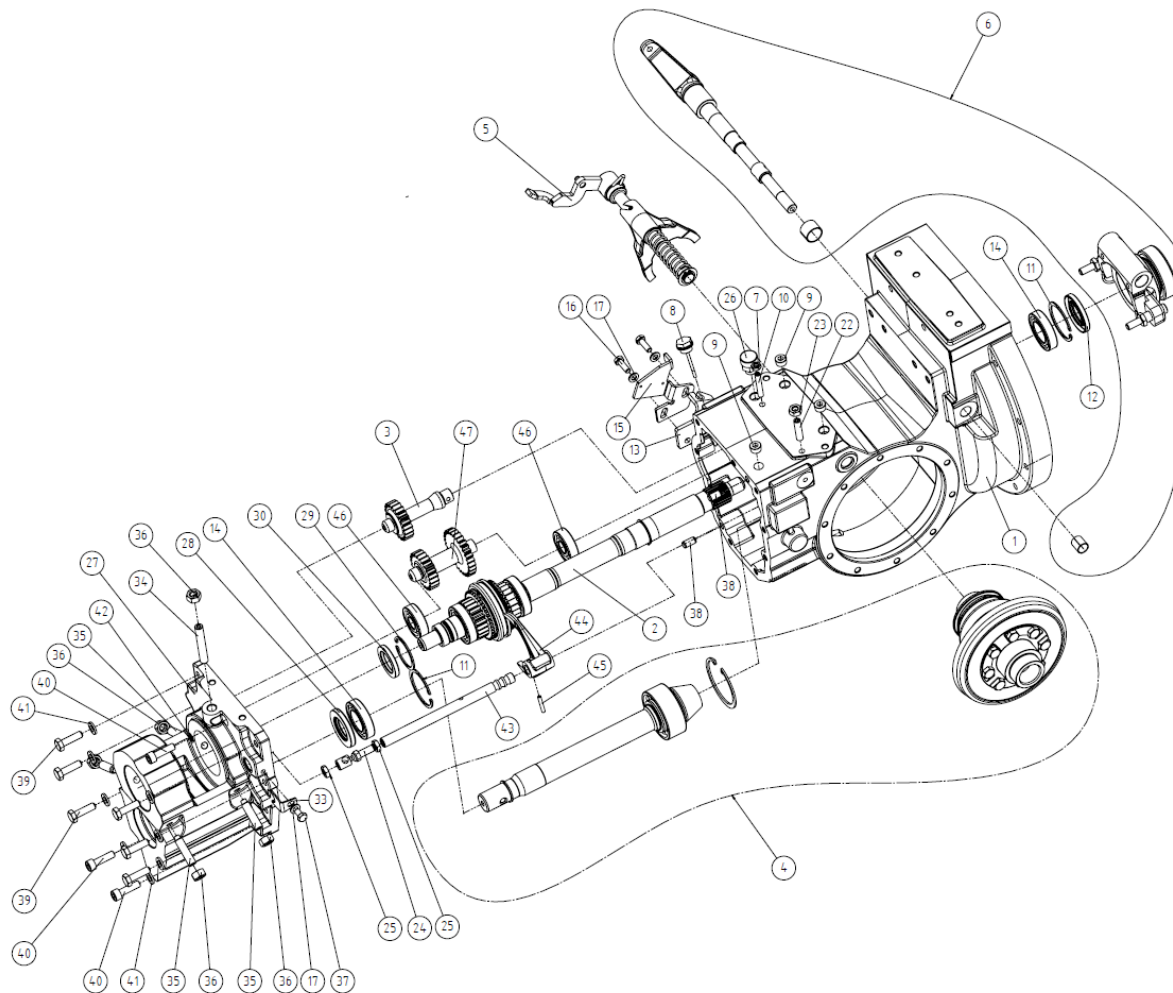
FDM317GR001-FRONT AXLE ASSEMBLY SERIES E3000 RS



Pos.	Codice	Descrizione		Q.tà
1	FDM376GR001	FRONT CRANKCASE ASSEMBLY SERIES E3000 RS		1
2	FDM311GR003	AXLE SUPPORT UNIT SX 2000E SW		1
3	FDM311GR005	AXLE SUPPORT UNIT DX 2000E SW		1
4	FDM311GR006	FRONT LEFT REDUCER GROUP 2000E SW		1
5	FDM311GR007	FRONT RIGHT REDUCER GROUP 2000E SW		1
6	MK00033607	GIUNTO SFERICO		2
7	00002267	MOLLA D. 11 L= 59 F= 2 BLOCC. DIFFERENZ.		1
8	06180093	ROSETTA CON. D. 13,4 X 24 X 3,2 ZN UNI88		4
9	06100041	VITE TE M12 X 4,0 8.8 ZN UNI5739		4
10	06110131	VITE TE M10 X 130 10.9 ZN UNI5737		2
11	06180096	ROSETTA CON. D. 10,5 X 20 X 2,6 ZN		12
12	06120009	DADO M10 X 10 CL.8 ZN UNI5587		10
13	00033606	CILINDRO STERZO		1



FDM376GR001-FRONT CRANKCASE ASSEMBLY SERIES E3000 RS

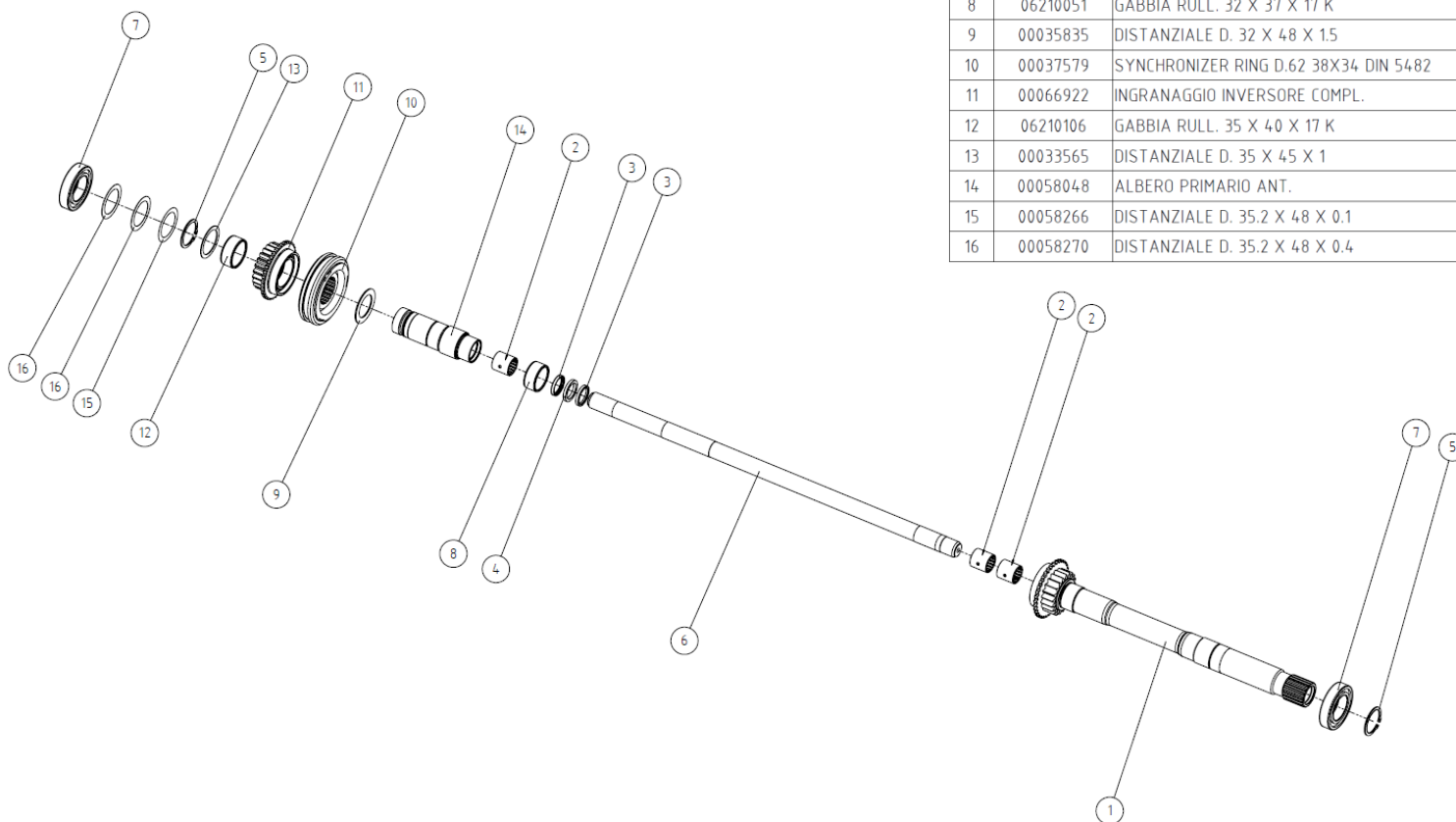


Pos.	Codice	Descrizione	Q.tà
1	00037592	CARTER ANTERIORE	1
2	FDM382GR007	FRONT PRIMARY SHAFT ASSEMBLY SERIES E3000	1
3	FDM382GR008	REVERSE GALOPPINE GROUP E3000 SERIES	1
4	FDM382GR006	GR. DIFF. ANT. SERIE E45-60	1
5	FDM311GR008	FRONT DIFFERENTIAL LOCKING CONTROL UNIT 2000	1
6	02003905	COMANDO FRIZIONE	1
7	06120038	DADO M8 X 5 CL.8 ZN UNI5589	1
8	00033584	TAPPO M18X15 LIVELLO OLIO	1
9	00037898	TAPPO CONICO M16 X 1,5 DIN 906	3
10	06140058	VITE STEI M8 X 50 8.8 UNI5927 CONICA	1
11	06240032	SEEGER 62 X 21 UNI7437	2
12	06220188	PARAOLIO 35 X 62 X 8 AS VITON	1
13	00033659	SUPPORTO CAVO BLOCC. DIFF.	1
14	06200062	CUSCIN 35 X 62 X 14 6007	2
15	00070656	SUPPORTO INTER. BLOCC. DIFF.	1
16	06100021	VITE TE M8 X 25 8.8 ZN UNI5739	2
17	06180094	ROSETTA CON. D. 8,7 X 16 X 1,9 ZN	3
18	00034570	TAPPO M16 X 1,5 X 14	1
19	06180049	ROND. RAME D. 17 X 22 X 1,5 3/8" GAS	1
20	06330201	SFERA D. 7.938 RB CL III 5/16	1
21	00033672	MOLLA D. 6.75 L= 26.5 F= 1.7 COMPRESSION	1
22	06140037	VITE STEI M10 X 40 UNI5923	1
23	06120008	DADO M10 X 8 CL.8 ZN UNI5588	1
24	00033620	PERNO SNODO M10	1
25	06120007	DADO M10 X 6 CL.8 ZN UNI5589	2
26	06340432	VALVOLA	1
27	00033581	CARTER STERZO ANT.	1
28	06220182	PARAOLIO 35 X 62 X 8 AS	1
29	06240029	SEEGER 52 X 21 UNI7437	1
30	06220189	PARAOLIO 35 X 52 X 7 AS NBR	1
31	06230027	ANELLO OR 15,08 X 2,62 119	1
32	00037584	BOCCOLA GUIDA ASTA INVERSORE	1
33	00037585	LAMIERINO FERMA BOCCOLA	1
34	06140082	VITE STEI M12 X 80 UNI EN ISO 4027	1
35	06140081	VITE STEI M12 X 50 12.9 UNI5923	4
36	06120018	DADO M12 X 10 CL.8 ZN UNI5588	5
37	06100019	VITE TE M8 X 14 8.8 ZN UNI5739	1
38	00010961	PIN D. 10 X 20 ISO 2338	2
39	06100031	VITE TE M10 X 35 8.8 ZN UNI5739	6
40	06130027	VITE TCEI M10 X 35 8.8 ZN UNI5931	3
41	06180096	ROSETTA CON. D. 10,5 X 20 X 2,6 ZN	8
42	06180066	ROND. SCHNORR D. 10 ZN D	1
43	00037583	ASTA SELEZ. FORCELLA	1
44	00033569	FORCELLA INVERSORE	1
45	06260099	SPINA EL 5 X 28 SPIROL UNI6875	1
46	06200024	CUSCIN 20 X 52 X 15 6304	2
47	00065838	DOUBLE GEAR (Z22-Z28)	1

FDM382GR007-FRONT PRIMARY SHAFT ASSEMBLY SERIES E3000 RS



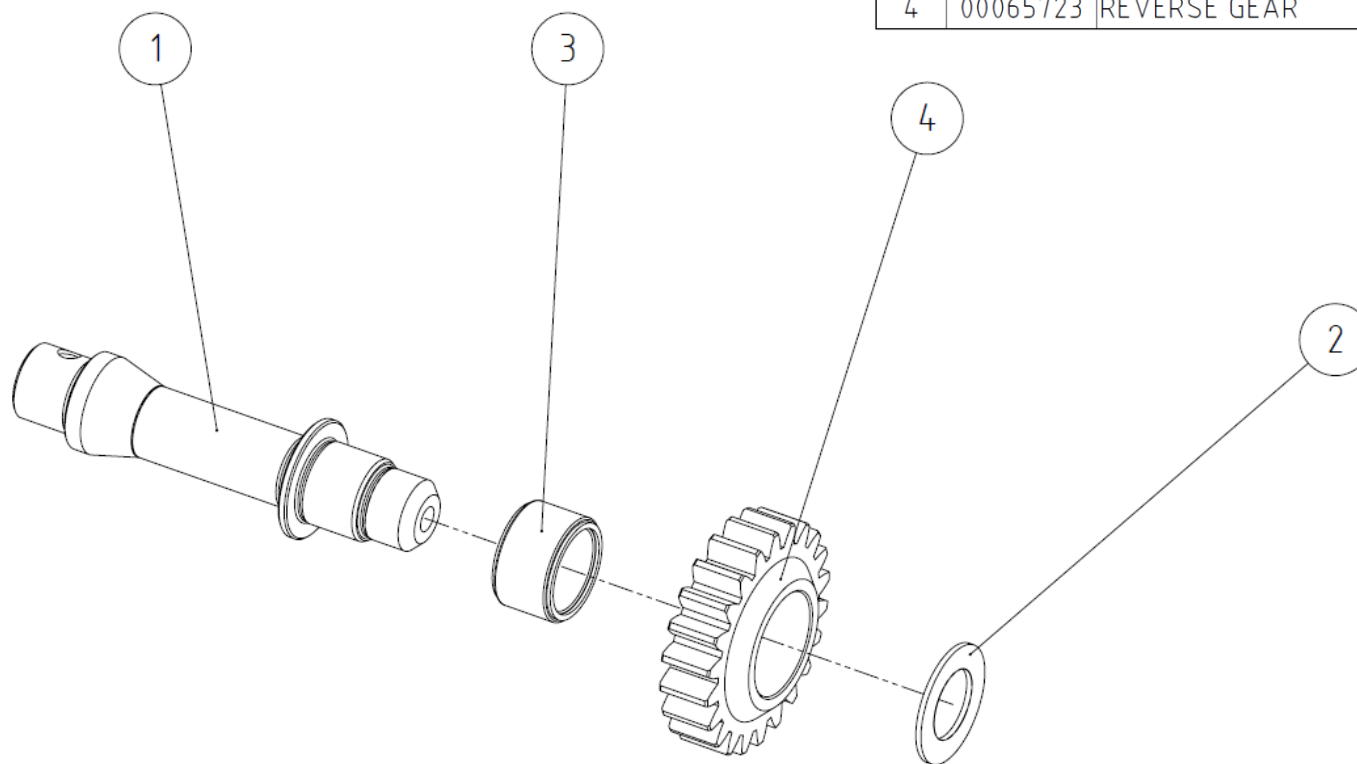
Pos.	Codice	Descrizione	Q.tà
1	00065985	ALBERO PRIMARIO COMPL.	1
2	00035831	BOCCOLA AVV. D. 22 X 25 X 25	3
3	06220214	PARAOLIO 22 X 28 X 4 DH2228	2
4	00035836	DISTANZIALE D. 22.2 X 30 X 4	1
5	06240021	SEEGER 35 X 1,5 E UNI7435	2
6	00037629	ALBERO PDF	1
7	06200062	CUSCIN. 35 X 62 X 14 6007	2
8	06210051	GABBIA RULL. 32 X 37 X 17 K	1
9	00035835	DISTANZIALE D. 32 X 48 X 1.5	1
10	00037579	SYNCHRONIZER RING D.62 38X34 DIN 54.82	1
11	00066922	INGRANAGGIO INVERSORE COMPL.	1
12	06210106	GABBIA RULL. 35 X 40 X 17 K	1
13	00033565	DISTANZIALE D. 35 X 45 X 1	1
14	00058048	ALBERO PRIMARIO ANT.	1
15	00058266	DISTANZIALE D. 35.2 X 48 X 0.1	1
16	00058270	DISTANZIALE D. 35.2 X 48 X 0.4	2



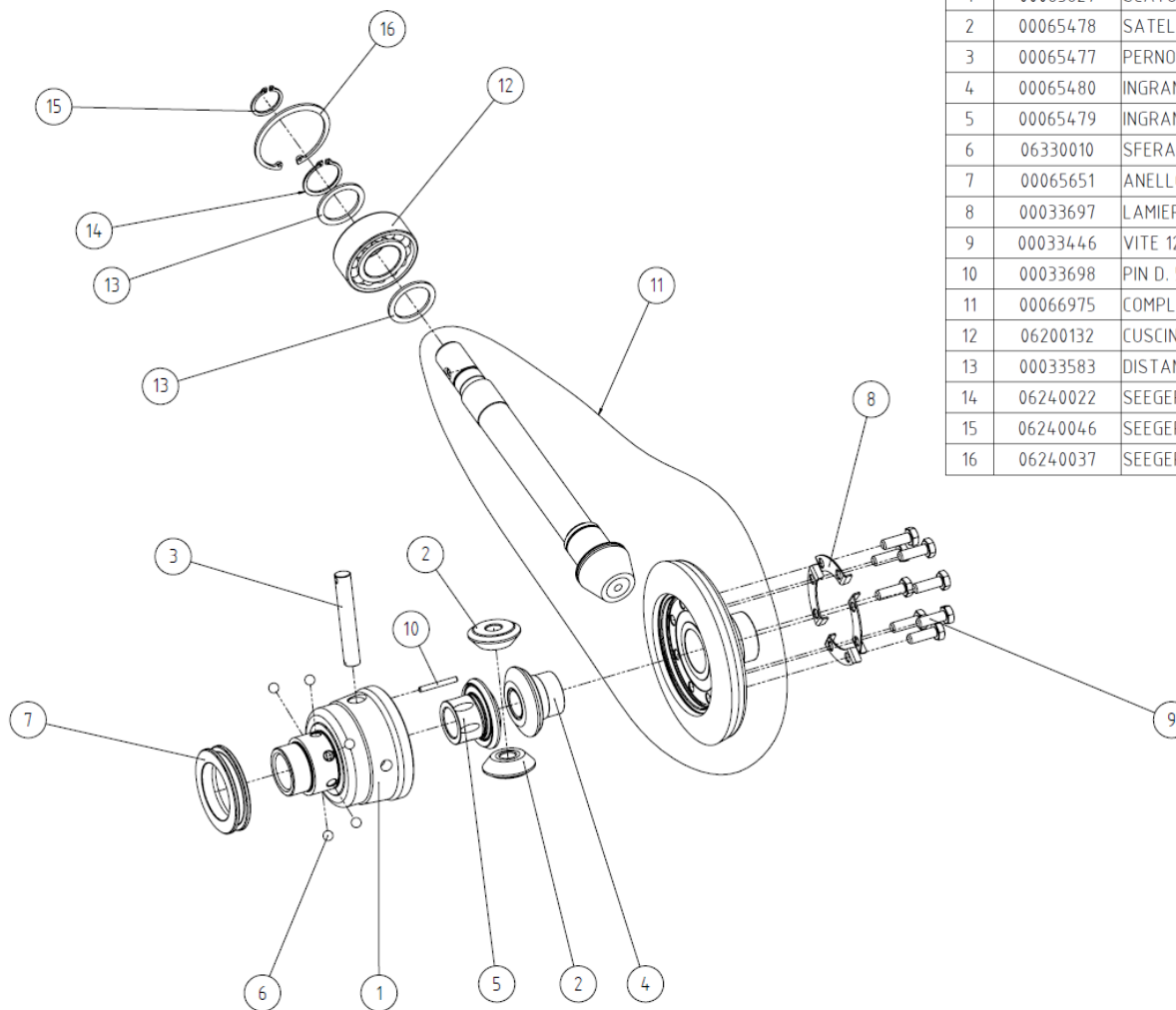
FDM382GR008-REVERSE GALOPPINE GROUP E3000 SERIES



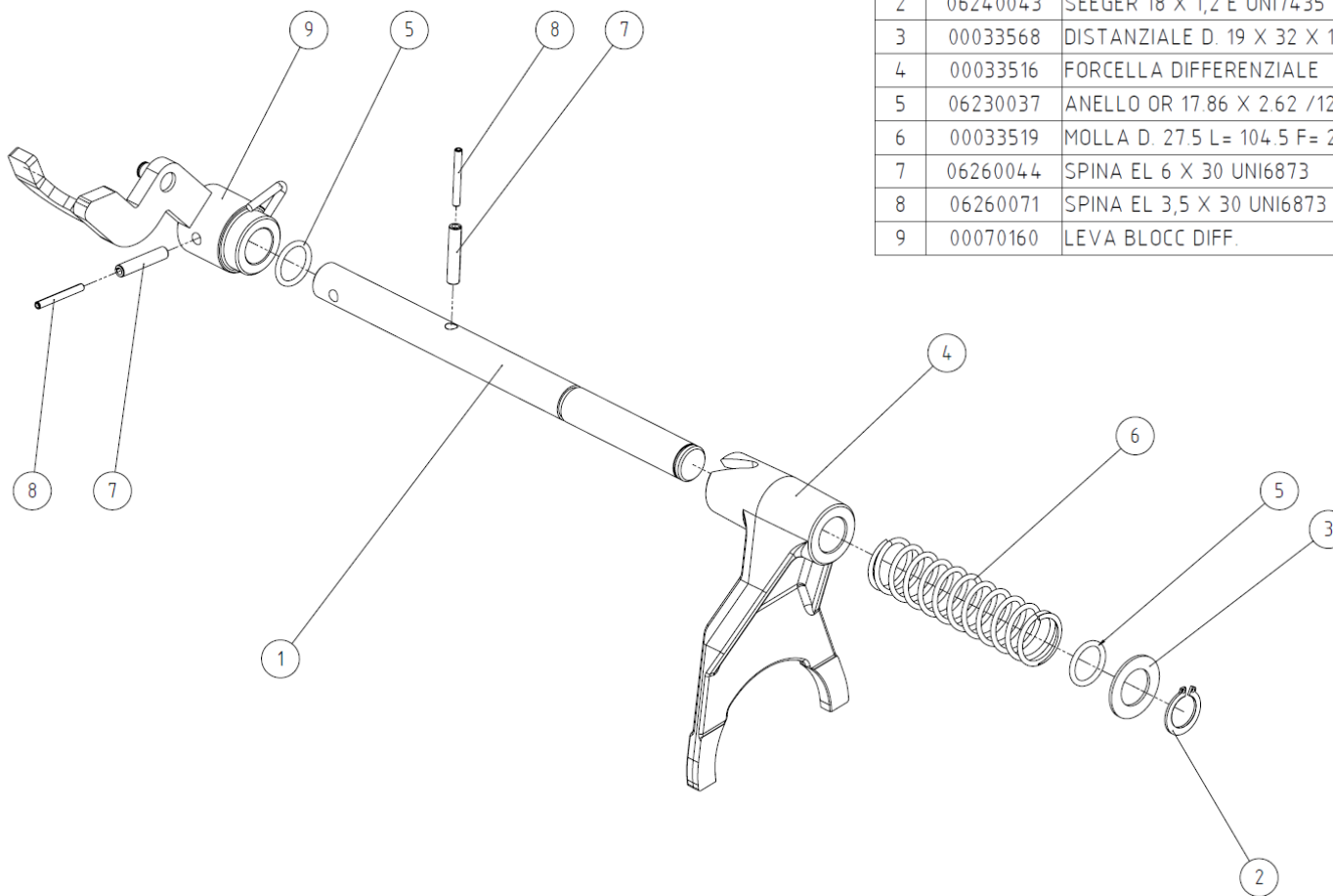
Pos.	Codice	Descrizione	Q.tà
1	00033563	PERNO	1
2	00033568	DISTANZIALE D. 19 X 32 X 1.5	1
3	06210080	GABBIA RULL. 22 X 28 X 17 K	1
4	00065723	REVERSE GEAR	1



FDM382GR006-GR. DIFF. ANT. SERIE E45-60

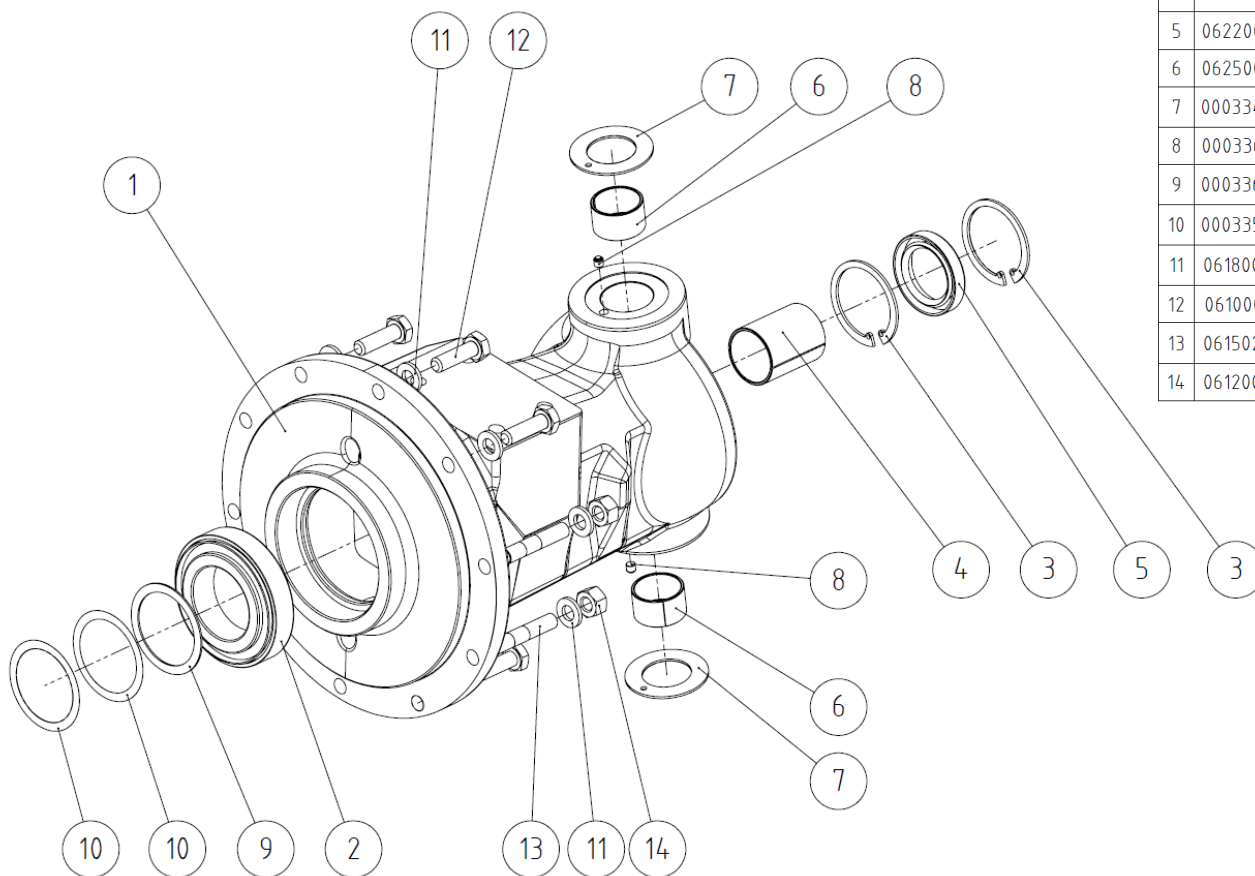


FDM311GR008-FRONT DIFFERENTIAL LOCKING CONTROL UNIT 2000E



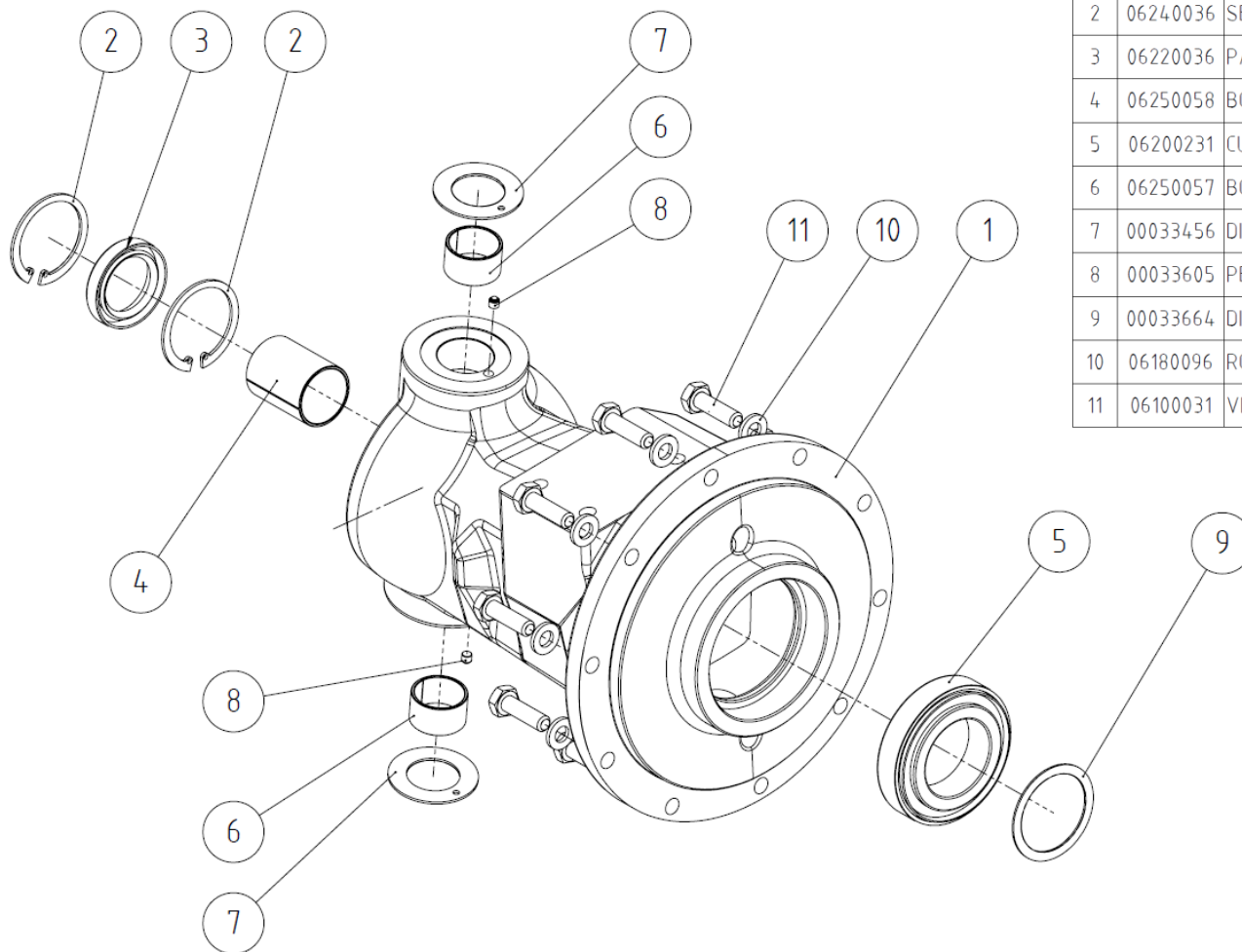
Pos.	Codice	Descrizione	Q.tà
1	00033576	PERNO D. 18 X 251.5 BLOCC. DIFF. ANTER.	1
2	06240043	SEEGER 18 X 1,2 E UNI7435	1
3	00033568	DISTANZIALE D. 19 X 32 X 1.5	1
4	00033516	FORCELLA DIFFERENZIALE	1
5	06230037	ANELLO OR 17.86 X 2.62 /123	2
6	00033519	MOLLA D. 27.5 L= 104.5 F= 2.5 COMPRESSIO	1
7	06260044	SPINA EL 6 X 30 UNI6873	2
8	06260071	SPINA EL 3,5 X 30 UNI6873	2
9	00070160	LEVA BLOCC DIFF.	1

FDM311GR003-AXLE SUPPORT UNIT SX 2000E SW



Pos.	Codice	Descrizione	Q.tà
1	00033613	MOZZO RUOTA ANT.SIN.	1
2	06200231	CUSCIN. 50 X 90 X 20 30210	1
3	06240036	SEEGER 55 X 2 I UNI7437	2
4	06250058	BOCCOLA AVV. D. 35 X 39 X 50	1
5	06220036	PARAOLIO 35 X 55 X 10 A NBR	1
6	06250057	BOCCOLA AVV. D. 30 X 34 X 20	2
7	00033456	DISTANZIALE D. 32 X 54 X 1.5 WC30DX	2
8	00033605	PERNO DI FERMO RALLA	2
9	00033664	DISTANZIALE D. 50.2 X 61.8 X 1.2	1
10	00033524	DISTANZIALE D. 50.2 X 61.8 X 0.1	2
11	06180096	ROSETTA CON. D. 10,5 X 20 X 2,6 ZN	10
12	06100031	VITE TE M10 X 35 8.8 ZN UNI5739	8
13	06150282	PRIGIONIERO M10 X 40 L= 55 UNI5911 - 8.8	2
14	06120009	DADO M10 X 10 CL.8 ZN UNI5587	2

FDM311GR005-AXLE SUPPORT UNIT DX 2000E SW

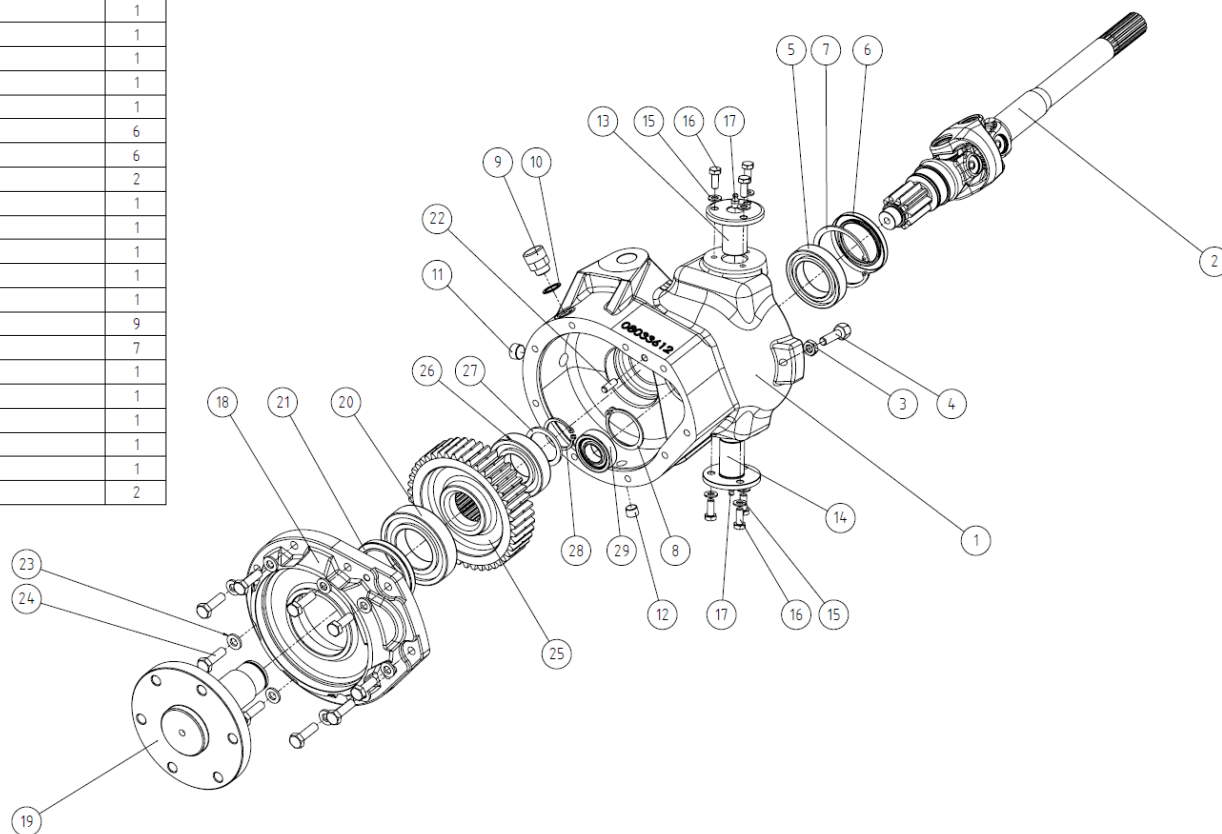


Pos.	Codice	Descrizione	Q.tà
1	00033609	MOZZO RUOTA ANT.DES.	1
2	06240036	SEEGER 55 X 2 I UNI7437	2
3	06220036	PARAOLIO 35 X 55 X 10 A NBR	1
4	06250058	BOCCOLA AVV. D. 35 X 39 X 50	1
5	06200231	CUSCIN. 50 X 90 X 20 30210	1
6	06250057	BOCCOLA AVV. D. 30 X 34 X 20	2
7	00033456	DISTANZIALE D. 32 X 54 X 1.5 WC30DX	2
8	00033605	PERNO DI FERMO RALLA	2
9	00033664	DISTANZIALE D. 50.2 X 61.8 X 1.2	1
10	06180096	ROSETTA CON. D. 10,5 X 20 X 2,6 ZN	10
11	06100031	VITE TE M10 X 35 8.8 ZN UNI5739	10

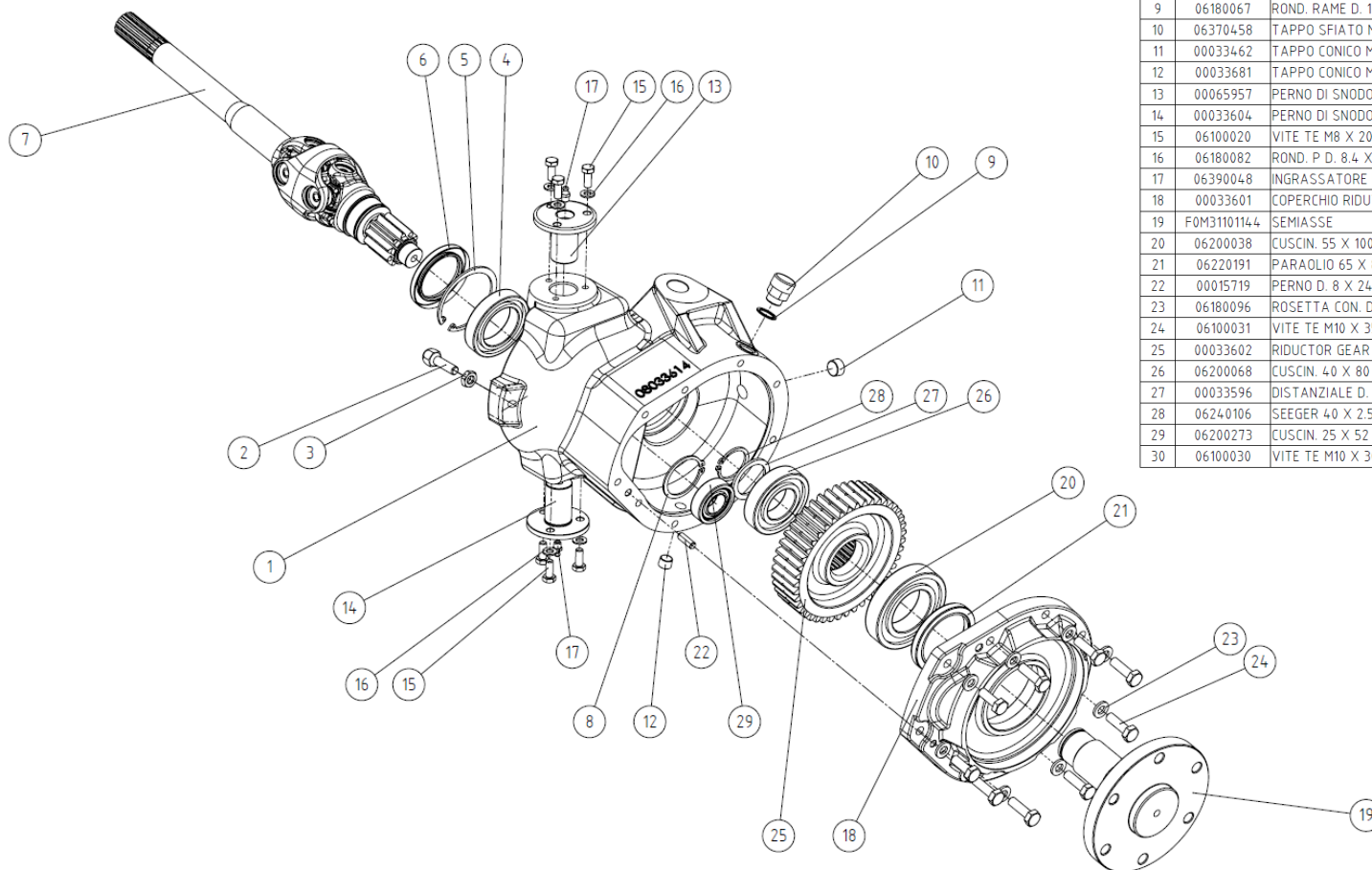
FDM311GR006-FRONT LEFT REDUCER GROUP 2000E SW



Pos.	Codice	Descrizione	Q.tà
1	00033612	CARTER RIDUTTORE ANT.SIN.	1
2	00033603	GIUNTO CARDANICO	1
3	06120007	DADO M10 X 6 CL.8 ZN UNI5589	1
4	00059061	VITE DI FERMO STERZATURA	1
5	06200072	CUSCIN. 50 X 80 X 16 6010	1
6	06220117	PARAOLIO 55 X 80 X 8 A NBR	1
7	06240037	SEEGER 80 X 2.5 I UNI7437	1
8	06240067	SEEGER 50 X 2 E UNI7435	1
9	06370458	TAPPO SFIATO M18X1.5 CON VALVOLA	1
10	06180067	ROND. RAME D. 18.3 X 24 X 1.5	1
11	00033462	TAPPO CONICO M18 X 1,5 DIN 906	1
12	00033681	TAPPO CONICO M14 X 1,5 DIN 906	1
13	00065957	PERNO DI SNODO	1
14	00033604	PERNO DI SNODO	1
15	06180082	ROND. P D. 8.4 X 16 X 1.6 UNI6592	6
16	06100020	VITE TE M8 X 20 8.8 ZN UNI5739	6
17	06390048	INGRASSATORE M8 X 1 DIRITTO	2
18	00033601	COPERCHIO RIDUTTORE LATERALE	1
19	F0M31101144	SEMIASSE	1
20	06200038	CUSCIN. 55 X 100 X 21 6211	1
21	06220191	PARAOLIO 65 X 85 X 10 AS NBR	1
22	00015719	PERNO D. 8 X 24 UNI EN 22340 - 93	1
23	06180096	ROSETTA CON. D. 10.5 X 20 X 2.6 ZN	9
24	06100031	VITE TE M10 X 35 8.8 ZN UNI5739	7
25	00033602	RIDUCTOR GEAR	1
26	06200068	CUSCIN. 40 X 80 X 18 6208	1
27	00033596	DISTANZIALE D. 40 X 52 X 3	1
28	06240106	SEEGER 40 X 2.5 E UNI7436	1
29	06200273	CUSCIN. 25 X 52 X 15 NJ205ECP	1
30	06100030	VITE TE M10 X 30 8.8 ZN UNI5739	2

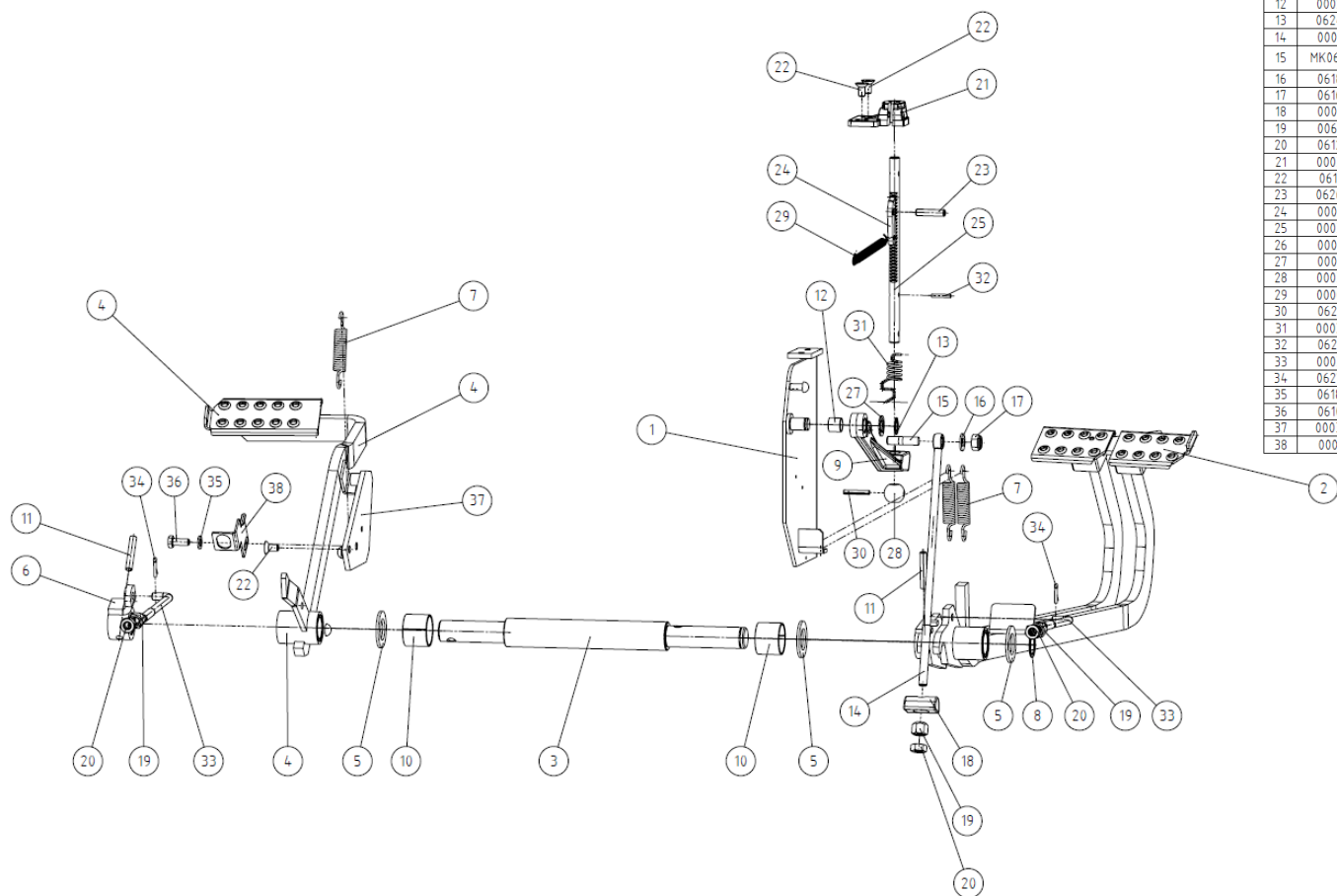


FDM311GR007-FRONT RIGHT REDUCER GROUP 2000E SW



Pos.	Codice	Descrizione	Q.tà
1	00033614	CARTER RIDUTTORE ANT.DES.	1
2	00059061	VITE DI FERMO STERZATURA	1
3	06120007	DADO M10 X 6 CL.8 ZN UNI5589	1
4	06200072	CUSCIN. 50 X 80 X 16 6010	1
5	06240037	SEEGER 80 X 2.5 I UNI7437	1
6	06220117	PARAOILIO 55 X 80 X 8 A NBR	1
7	00033603	GIUNTO CARDANICO	1
8	06240067	SEEGER 50 X 2 E UNI7435	1
9	06180067	ROND. RAME D. 18.3 X 24 X 1.5	1
10	06370458	TAPPO SFIATO M18X1.5 CON VALVOLA	1
11	00033462	TAPPO CONICO M18 X 1.5 DIN 906	1
12	00033681	TAPPO CONICO M14 X 1.5 DIN 906	1
13	00065957	PERNO DI SNODO	1
14	00033604	PERNO DI SNODO	1
15	06100020	VITE TE M8 X 20 8.8 ZN UNI5739	6
16	06180082	ROND. P. D. 8.4 X 16 X 1.6 UNI6592	6
17	06390048	INGRASSATORE M8 X 1 DIRITTO	2
18	00033601	COPERCHIO RIDUTTORE LATERALE	1
19	F0M31101144	SEMIASSE	1
20	06200038	CUSCIN. 55 X 100 X 21 6211	1
21	06220191	PARAOILIO 65 X 85 X 10 AS NBR	1
22	00015719	PERNO D. 8 X 24 UNI EN 22340 - 93	1
23	06180096	ROSETTA CON. D. 10.5 X 20 X 2,6 ZN	9
24	06100031	VITE TE M10 X 35 8.8 ZN UNI5739	7
25	00033602	RIDUCTOR GEAR	1
26	06200068	CUSCIN. 40 X 80 X 18 6208	1
27	00033596	DISTANZIALE D. 40 X 52 X 3	1
28	06240106	SEEGER 40 X 2.5 E UNI7436	1
29	06200273	CUSCIN. 25 X 52 X 15 NJ205ECP	1
30	06100030	VITE TE M10 X 30 8.8 ZN UNI5739	2

FDM433GR002-PEDAL BRAKE AND CLUTCH GOUP SERIES 2000E SW

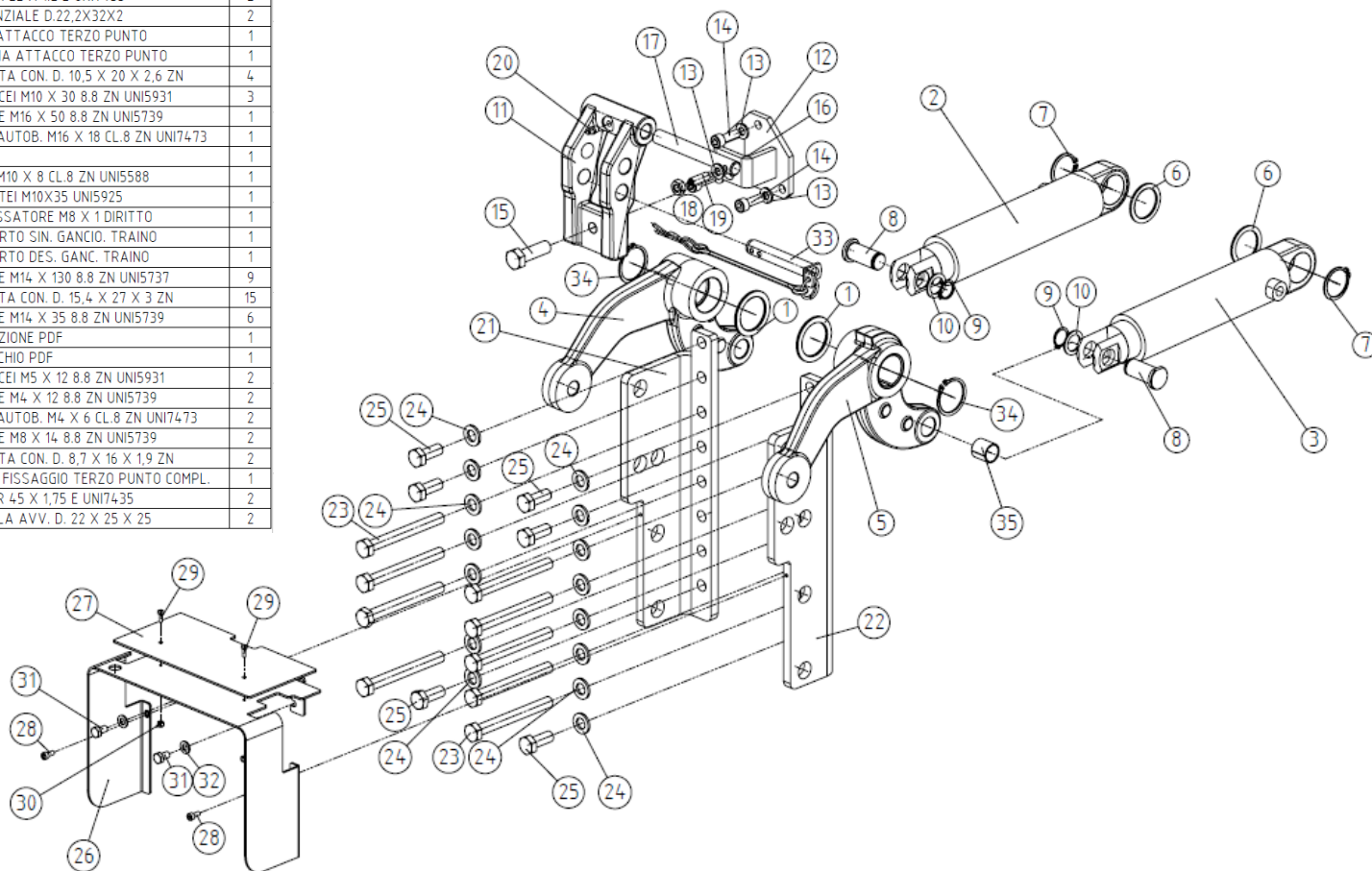


Pos.	Codice	Descrizione	Q.tà
1	FDM434-01007	BRAKE SUPPORT E60 (RS-SN)	1
2	FDM43601002	PEDALE FRENO COPPIA COMPL.	1
3	00032886	PERNO FULCRO PEDALI	1
4	00057122	PEDALE FRIZIONE COMPL.	1
5	00010415	DISTANZIALE D. 26.2 X 4.5 X 3	3
6	00032885	LEVA RINVIO FRENO SIN.	1
7	00010852	MOLLA D. 15 L= 90 F= 2,5	3
8	06240001	SEEGER 26 X 1,2 E UNI7435	1
9	00030192	LEVA COMANDO FRENO STAZ.	1
10	06250028	BOCCOLA AVV. D. 35 X 39 X 30	2
11	06260080	SPINA EL 8 X 45 SPIROL UNI6875	2
12	00023263	BOCCOLA AVV. D. 15 X 17 X 15	1
13	06240008	SEEGER 15 X 1 E UNI7435	1
14	00032881	TIRANTE M10 X 305 FRENO DI STAZ.	1
15	MK06150195	PRIGIONIERO M10X25 ZN S9	1
16	06180076	ROND. P. D. 10.5 X 21 X 2 ZN UNI6592	1
17	06160072	DADO AUTOB. M10 X 10 CL.8 ZN UNI474	1
18	00013580	BARILOTTO FRENO DI STAZIONAMENTO	1
19	00661382	DADO M10 X 15 36SMN14 SFERICO	3
20	06120008	DADO M10 X 8 CL.8 ZN UNI5588	3
21	00032332	SUPPORTO LEVA FRENO STAZIONAMENTO	1
22	06150021	VITE TSPEI M8 X 16 8.8 UNI5933	3
23	06260042	SPINA EL 8 X 36 UNI6873	1
24	00013763	GANCIO FRENO DI STAZIONAMENTO	1
25	00032333	ASTA SELEZ. FRENO STAZIONAMENTO	1
26	00061987	DISTANZIALE D. 15.2 X 26 X 0.4	1
27	00019560	DISTANZIALE D. 16.5 X 25 X 1.5	1
28	00032335	SPHERICAL BUSH D. 12 X 25 X 21.6	1
29	00000569	MOLLA D. 10 L= 85 F= 1.2	1
30	06260137	SPINA EL 5 X 32 SPIROL UNI6875	1
31	00032334	MOLLA RITORNO ASTA FRENO	1
32	06260130	SPINA EL 4 X 24 SPIROL UNI6875	1
33	00032883	TIRANTE M10 X 45 LEVA FRENO	2
34	06270007	COPIGLIA 3.2 X 20 ZN UNI1336	2
35	06180094	ROSETTA CON. D. 8.7 X 16 X 1.9 ZN	1
36	06100020	VITE TE M8 X 20 8.8 ZN UNI5739	1
37	00034349	SUPPORTO POMPA FRIZIONE	1
38	00041114	SUPPORTO INTERR.CONSENSO	1

FDM552GR001-REAR LIFT CYLINDER GROUP E3000 SERIES



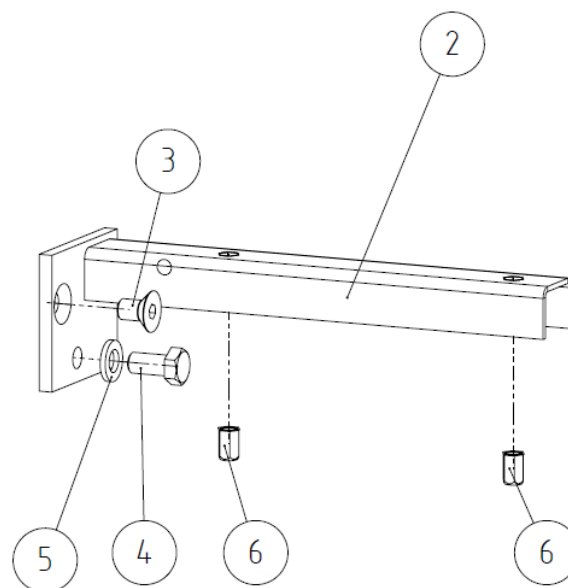
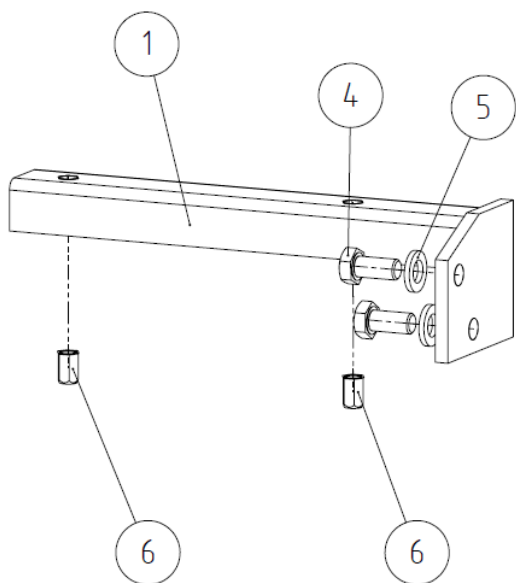
Pos.	Codice	Descrizione	Q.tà
1	00033641	DISTANZIALE D. 45 X 60 X 3	2
2	MK00033640	CILINDRO SOLLEVATORE	2
3	FDM55101101	BRACCIO SIN.SOLLEVATORE	1
4	FDM55101102	BRACCIO DES.SOLLEVATORE	1
5	00033583	DISTANZIALE D. 40 X 52 X 2.5	2
6	0624.0022	SEEGER 40 X 1.75 E UNI7435	2
7	00033642	PERNO FISS.CILINDRO	2
8	0624.0014	SEEGER 22 X 1.2 E UNI7435	2
9	00005743	DISTANZIALE D.22,2X32X2	2
10	00033647	LEVA ATTACCO TERZO PUNTO	1
11	00033646	FLANGIA ATTACCO TERZO PUNTO	1
12	06180096	ROSETTA CON. D. 10,5 X 20 X 2,6 ZN	4
13	06130026	VITE TCEI M10 X 30 8.8 ZN UNI5931	3
14	06100061	VITE TE M16 X 50 8.8 ZN UNI5739	1
15	06160014	DADO AUTOB. M16 X 18 CL.8 ZN UNI7473	1
16	00033649	PERNO	1
17	06120008	DADO M10 X 8 CL.8 ZN UNI5588	1
18	0614.0039	VITE STEI M10X35 UNI5925	1
19	06390048	INGRASSATORE M8 X 1 DIRITTO	1
21	00067604	SUPPORTO SIN. GANCIO. TRAINO	1
21	00067603	SUPPORTO DES. GANC. TRAINO	1
22	06110048	VITE TE M14 X 130 8.8 ZN UNI5737	9
24	06180095	ROSETTA CON. D. 15,4 X 27 X 3 ZN	15
25	06100049	VITE TE M14 X 35 8.8 ZN UNI5739	6
25	00070608	PROTEZIONE PDF	1
26	00065424	COPERCHIO PDF	1
27	06130041	VITE TCEI M5 X 12 8.8 ZN UNI5931	2
28	06100063	VITE TE M4 X 12 8.8 ZN UNI5739	2
29	06160065	DADO AUTOB. M4 X 6 CL.8 ZN UNI7473	2
30	06100019	VITE TE M8 X 14 8.8 ZN UNI5739	2
31	06180094	ROSETTA CON. D. 8,7 X 16 X 1,9 ZN	2
32	00003537	PERNO FISSAGGIO TERZO PUNTO COMPL.	1
33	0624.0102	SEEGER 45 X 1.75 E UNI7435	2
34	06250009	BOCCOLA AVV. D. 22 X 25 X 25	2



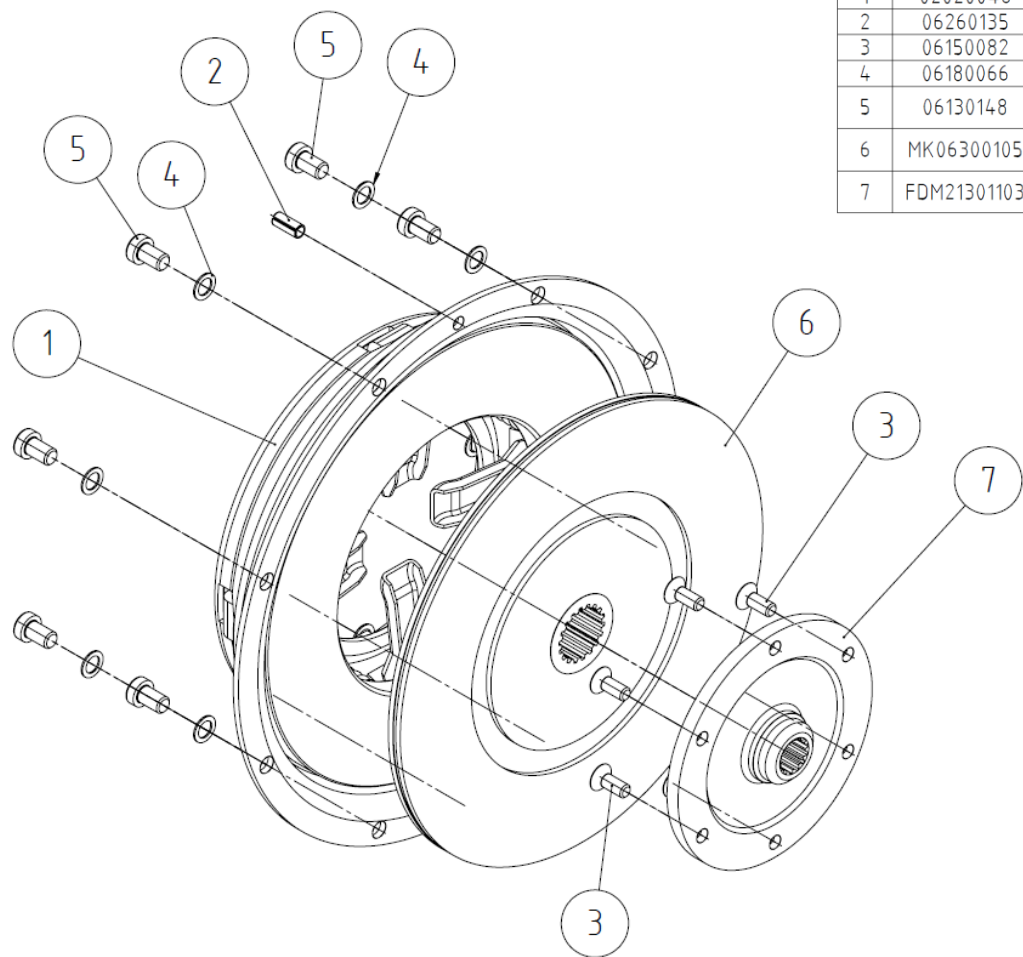
FDM452GR009-E3000 SERIES PLATFORM SUPPORTS GR.



Pos.	Codice	Descrizione	Q.fà
1	FDM10001101	SUPPORTO PEDANA SINISTRA	1
2	FDM45201117	SUPPORTO PEDANA DESTRA	1
3	06150111	VITE TSPEI M12 X 20 8.8 ZN UNI5933	1
4	06100038	VITE TE M12 X 25 8.8 ZN UNI5739	3
5	06180093	ROSETTA CON. D. 13,4 X 24 X 3,2 ZN UNI88	3
6	06160171	DADO RIVETTO M8 8.8 ESAG.	4



FDM211GR001-GR.CLUTCH 2000E SW

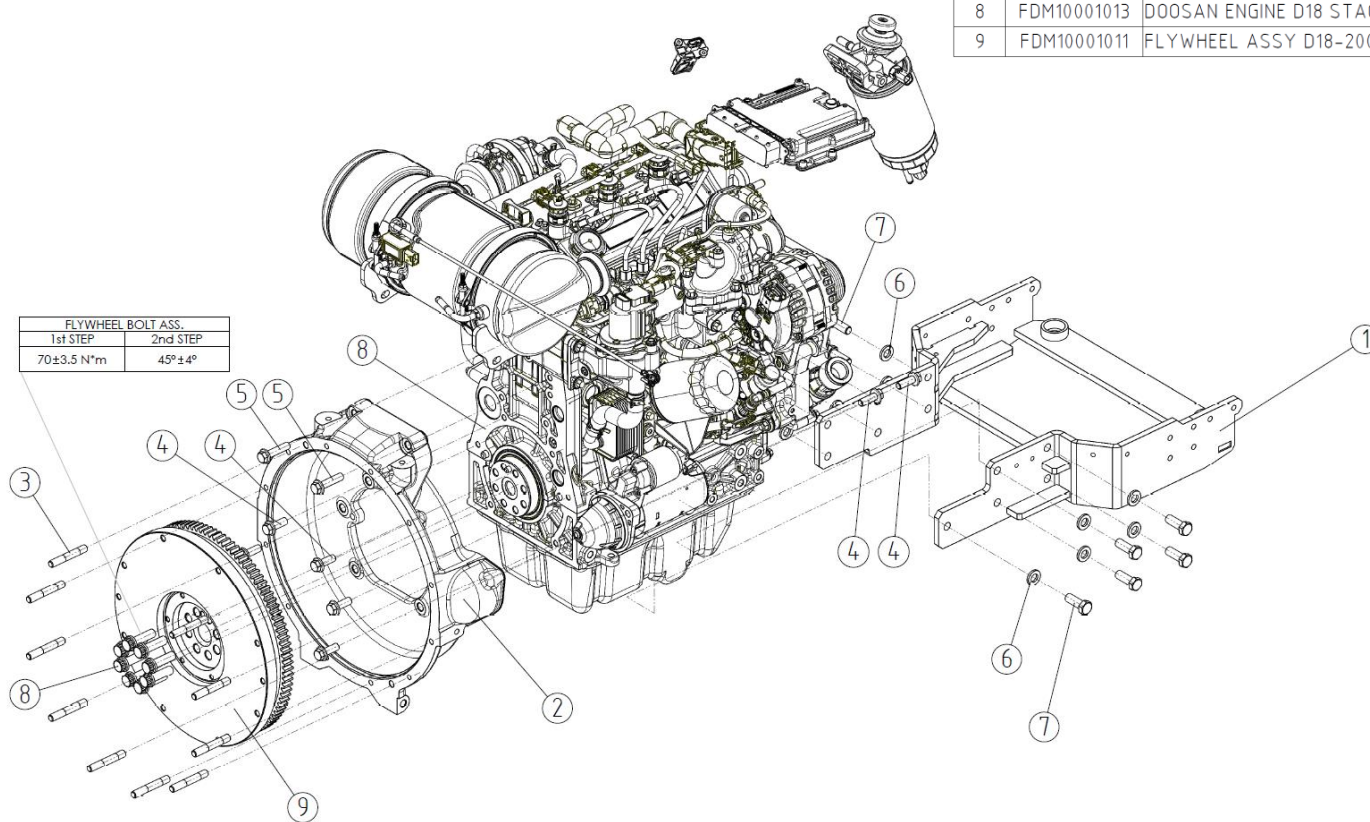


Pos.	Codice	Descrizione	Q.tà
1	02020046	FRIZIONE SING. 11" PI&VI M.280	1
2	06260135	SPINA EL 8 X 18 SPIROL UNI6875	2
3	06150082	VITE TSPEI M8 X 20 8.8 ZN UNI5933	6
4	06180066	ROND. SCHNORR D. 10 ZN D	8
5	06130148	VITE TCEI M10 X 16 DIN7984 RIBASSATA	8
6	MK06300105	DISCO FRIZIONE D.280	1
7	FDM21301103	DISK LUK PDF FLANGE	1

FDM100GR027-ENGINE D18 2000E

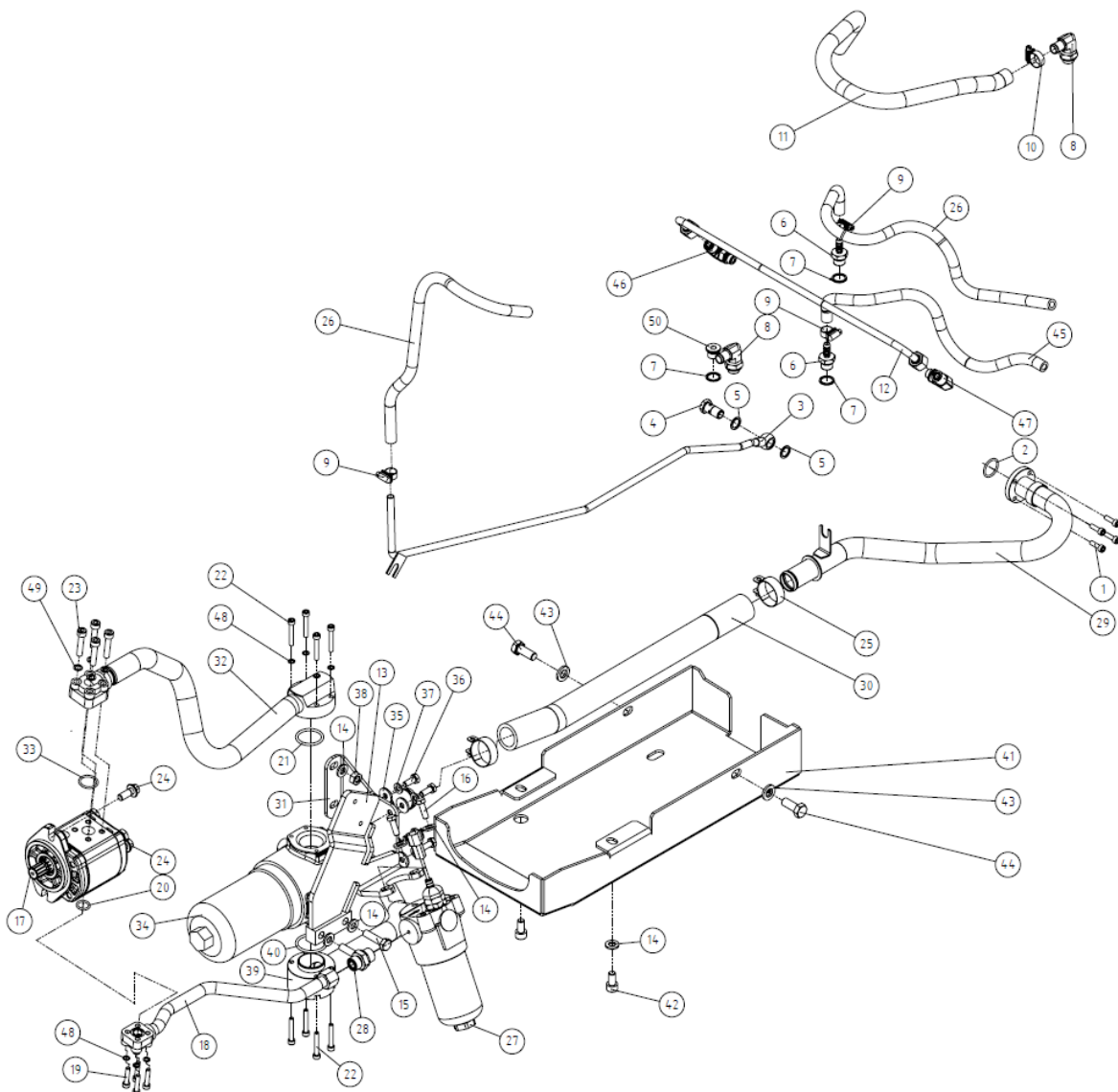


Pos.	Codice	Descrizione	Q.tà
1	FDM31201001	FRONT PLATE	1
2	FDM10001112	FLYWHEEL COVER DOOSAN 4000E	1
3	06150367	PRIGIONIERO M10 X 55 L= 70 UNI5911	10
4	fbm10101124	M10X30-10.9-HEX FLANGE BOLT PIS12060033	8
5	FAP10001107	PIS12060004 - M10X45-10.9-A3L HEX FLANGE BOLT	2
6	06180093	ROSETTA CON. D. 13,4 X 24 X 3,2 ZN UNI88	11
7	06100040	VITE TE M12 X 35 8.8 ZN UNI5739	11
8	FDM10001013	DOOSAN ENGINE D18 STAGE V	1
9	FDM10001011	FLYWHEEL ASSY D18-2000E	1



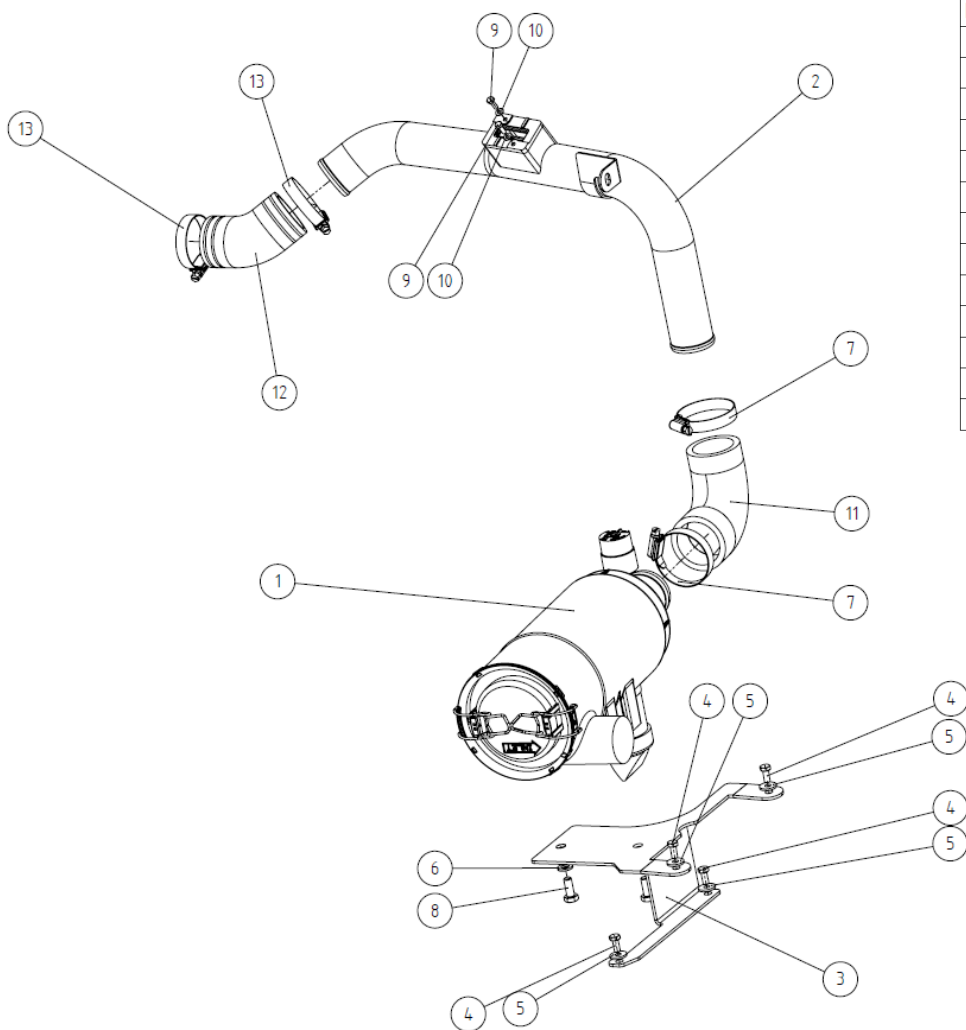
FLYWHEEL BOLT ASS.	
1st STEP	2nd STEP
70±3.5 N*m	45°±4°

FDM100GR025-HYDRAULIC CIRCUIT GROUP SERIES 2000 SW –ASSEMBLY-



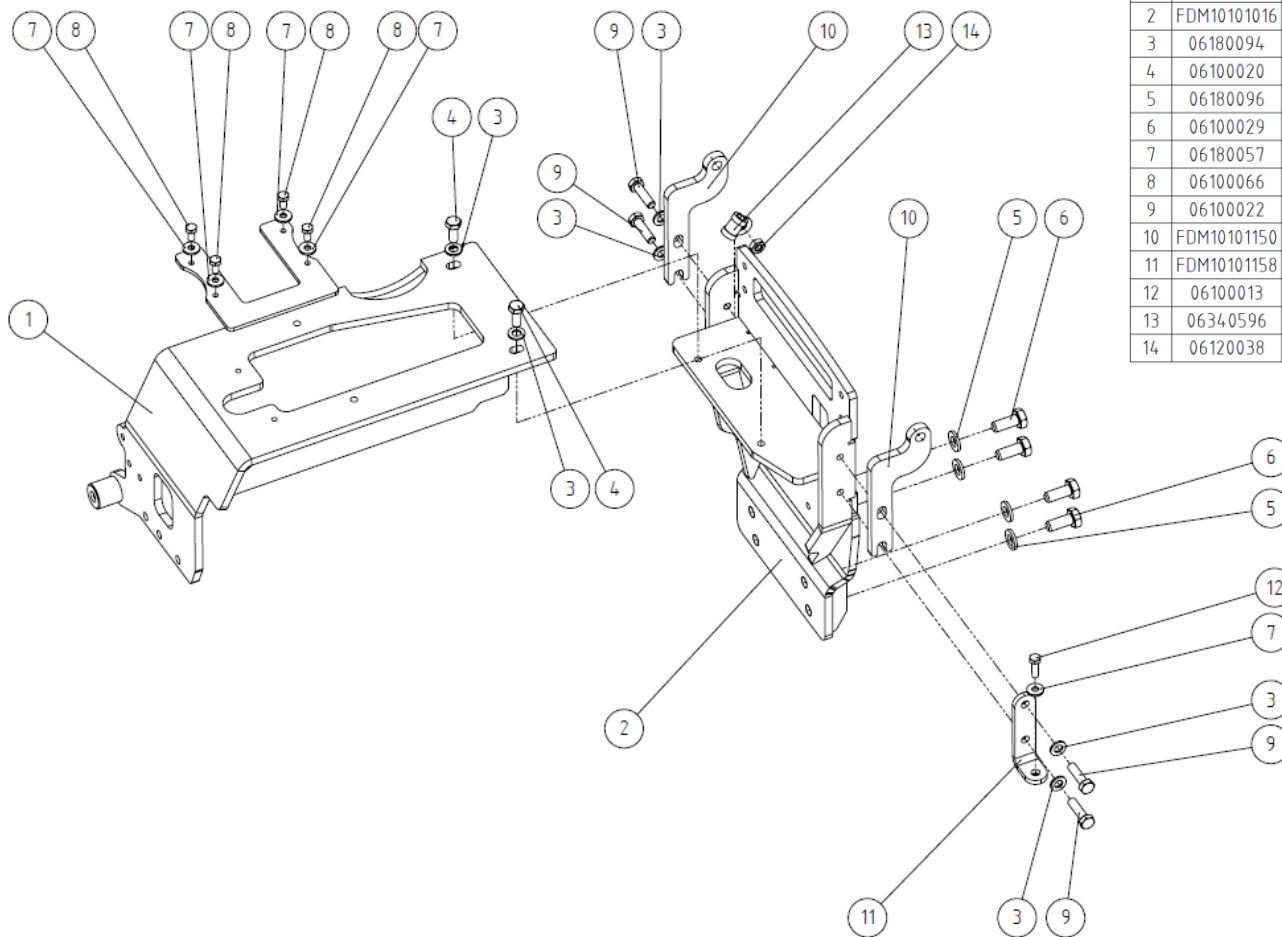
Pos.	Codice	Descrizione	Q.tà
1	06130008	VITE TCEI M6 X 20 8 8 ZN UNI5931	4
2	06230007	ANELLO OR 25,07 X 2,62 / 3100	1
3	00040285	POWER STEERING EXHAUSTE PIPE	1
4	06360026	VITE FORATA M14X15 X 28	1
5	06180074	ROND. RAME D. 14,2 X 20 X 1,5	2
6	06360151	NIPPLO 3/8" PG10	2
7	06180049	ROND. RAME D. 17 X 22 X 1,5 3/8" GAS	3
8	06360153	RACCORDO GOMITO M/M 3/8" - PG15	2
9	06340215	FASCETTA 10-16 H9 DIN 3017	3
10	06340054	FASCETTA 16-25 H9 DIN 3017	1
11	00027364	TUBO FLEX 5/8" X 550	1
12	FDM5801001	LIFT CYLINDER BALANCING PIPE TR. E	1
13	FDM58101003	SERVICE FILTER SUPPORT AND CLUTCH PUMP	1
14	06180096	ROSETTA CON. D. 10,5 X 20 X 2,6 ZN	8
15	06110024	VITE TE M10 X 40 8 8 ZN UNI5737	2
16	06100021	VITE TE M8 X 25 8 8 ZN UNI5739	2
17	FDM54001102	HYDR. GEAR PUMP 14 cc CCW SAE A	1
18	FDM37601005	DELIVERY PIPE FROM PUMP TO DELIVERY FILTER	1
19	06130010	VITE TCEI M6 X 30 8 8 ZN UNI5931	4
20	06230016	ANELLO OR 15,54 X 2,62	1
21	06230023	ANELLO OR 34,52 X 3,53 4137	1
22	06130012	VITE TCEI M6 X 40 8 8 ZN UNI5931	8
23	06130085	VITE TCEI M8 X 40 8 8 UNI5931	4
24	06110181	VITE TE M10 X 25 8 8 UNEN1662 C/FLANGIA	2
25	06340479	FASCETTA D.40 COLLARE S.BANDA 15 MM	2
26	00033748	TUBO FLEX 3/8" X 550	2
27	FAP53101033	MEDIUM PRESSURE FILTER W/CLOGGING	1
28	06360199	NIPPLO 13/16"-16 ORFS - 1/2"-14 BSP	1
29	FDM37601011	SUCTION PIPE ON THE CRANKCASE SIDE (SERIES 2000E)	1
30	FDM53101329	TUBO FLEX 1.3/16" X 170 ASP.	1
31	FDM53101327	SUCTION FILTER BRAKET	1
32	FDM37601009	SUCTION PIPE FROM FILTER TO PUMP	1
33	06230004	ANELLO OR 23,81 X 2,62 - 132	1
34	00063089	FILTRO OLIO ASPIRAZIONE	1
35	06180015	ROND. P. D. 8,4 X 24 X 2,5 ZN UNI1739	4
36	06100020	VITE TE M8 X 20 8 8 ZN UNI5739	4
37	06180094	ROSETTA CON. D. 8,7 X 16 X 1,9 ZN	4
38	06120008	DADO M10 X 8 CL 8 ZN UNI5588	2
39	FDM37601010	SUCTION PIPE D.30 -OIL FILTER SIDE-	1
40	06230094	ANELLO OR 39,69 X 3,53 /144	1
41	FDM54001110	SUCTION PIPE LOWER PROTECTION	1
42	06130024	VITE TCEI M10 X 20 8 8 ZN UNI5931	2
43	06180093	ROSETTA CON. D. 13,4 X 24 X 3,2 ZN UNI88	2
44	06100039	VITE TE M12 X 30 8 8 ZN UNI5739	2
45	FDM37601125	HOSE 3/8" x 450	1
46	FDM53101355	FITTING A T M-M-M-11/16"-16 ORFS - M14x15	1
47	06360191	RACCORDO GOMITO M/M M14X1,5 - 11/16-16	1
48	06180073	ROND. SCHNORR D. 6 ZN	8
49	06180064	ROND. SCHNORR D. 8 ZN D	4
50	00028442	TAPPO 3/8GAS X 12	1

FEM110GR002-GR. AIR FILTER T50 E60



Pos.	Codice	Descrizione	Q.tà
1	FDM11001104	AIR FILTER B045008 3000E	1
2	FEM11201102	PIPE MAF SENSOR	1
3	FDM11001001	FILTER BRACKET	1
4	06100010	VITE TE M6 X 14 8.8 ZN UNI5739	4
5	06180012	ROND. P D. 6,4 X 18 X 2 ZN UNI6593	4
6	06180094	ROSETTA CON. D. 8,7 X 16 X 1,9 ZN	2
7	06340298	FASCETTA 50-70 H12 DIN 3017	2
8	06100020	VITE TE M8 X 20 8.8 ZN UNI5739	2
9	06100063	VITE TE M4 X 12 8.8 ZN UNI5739	2
10	06180010	ROND. P D. 4,3 X 9 X 0,8 ZN UNI6592	2
11	FCM11101101	AIR FILTER SLEEVE 90°	1
12	FCM11101102	SLEEVE TURBO-FILTER RONIN D18	1
13	06340637	FASCETTA 44-56 H12 DIN 3017	2

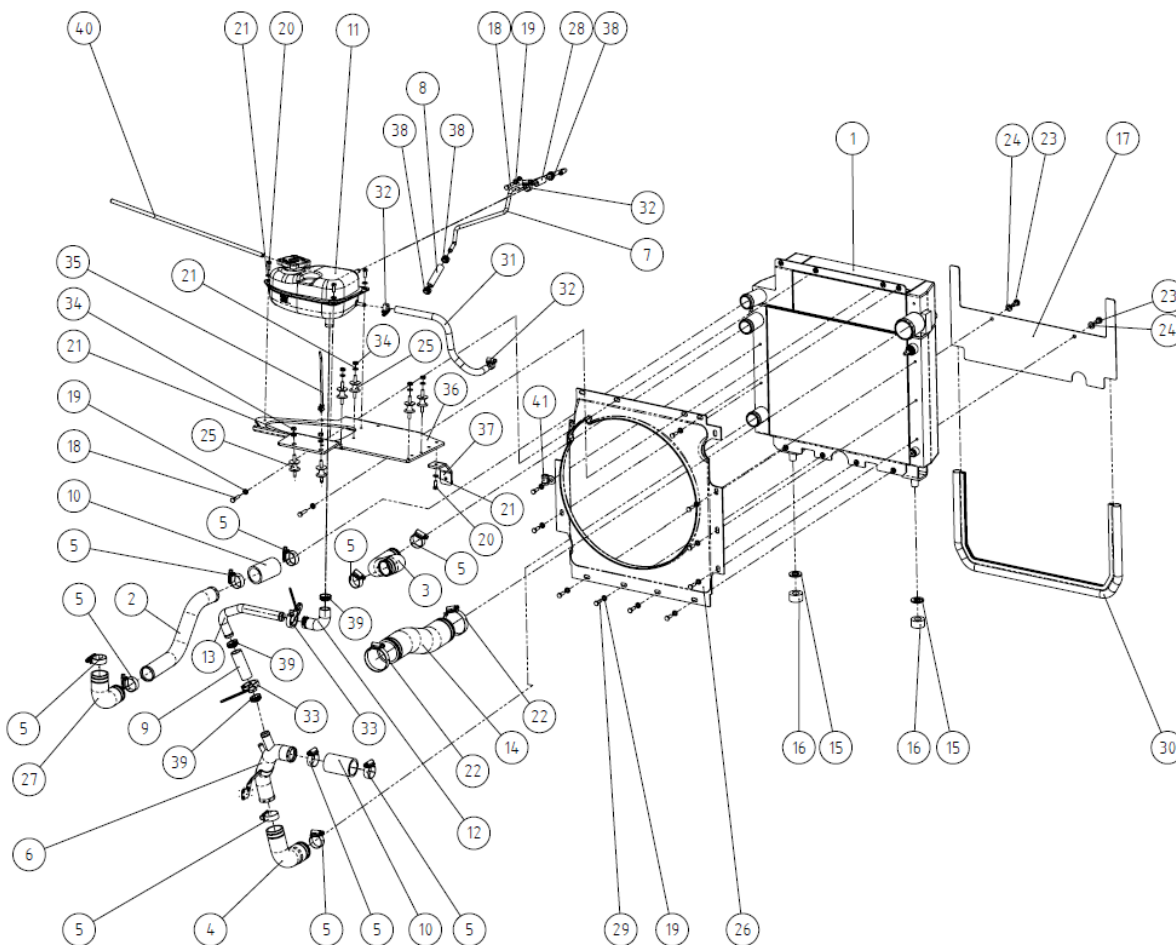
FDM101GR004-GR. MAIN ATS SUPPORT DOOSAN ENGINE D18



Pos.	Codice	Descrizione	Q.tà
1	FDM10101005	ATS SUPPORT	1
2	FDM10101016	CENTRAL BONNET SUPPORT	1
3	06180094	ROSETTA CON. D. 8,7 X 16 X 1,9 ZN	6
4	06100020	VITE TE M8 X 20 8.8 ZN UNI5739	2
5	06180096	ROSETTA CON. D. 10,5 X 20 X 2,6 ZN	4
6	06100029	VITE TE M10 X 25 8.8 ZN UNI5739	4
7	06180057	ROND. P D. 6,4 X 16 X 2 ZN	5
8	06100066	VITE TE M6 X 12 8.8 ZN UNI5739	4
9	06100022	VITE TE M8 X 30 8.8 ZN UNI5739	4
10	FDM10101150	BONNET SUPPORT	2
11	FDM10101158	EXHAUST PIPE BRACKET	1
12	06100013	VITE TE M6 X 20 8.8 ZN UNI5739	1
13	0634.0596	FASCETTA FERMATUBO D. 10	1
14	06120038	DADO M8 X 5 CL.8 ZN UNI5589	1



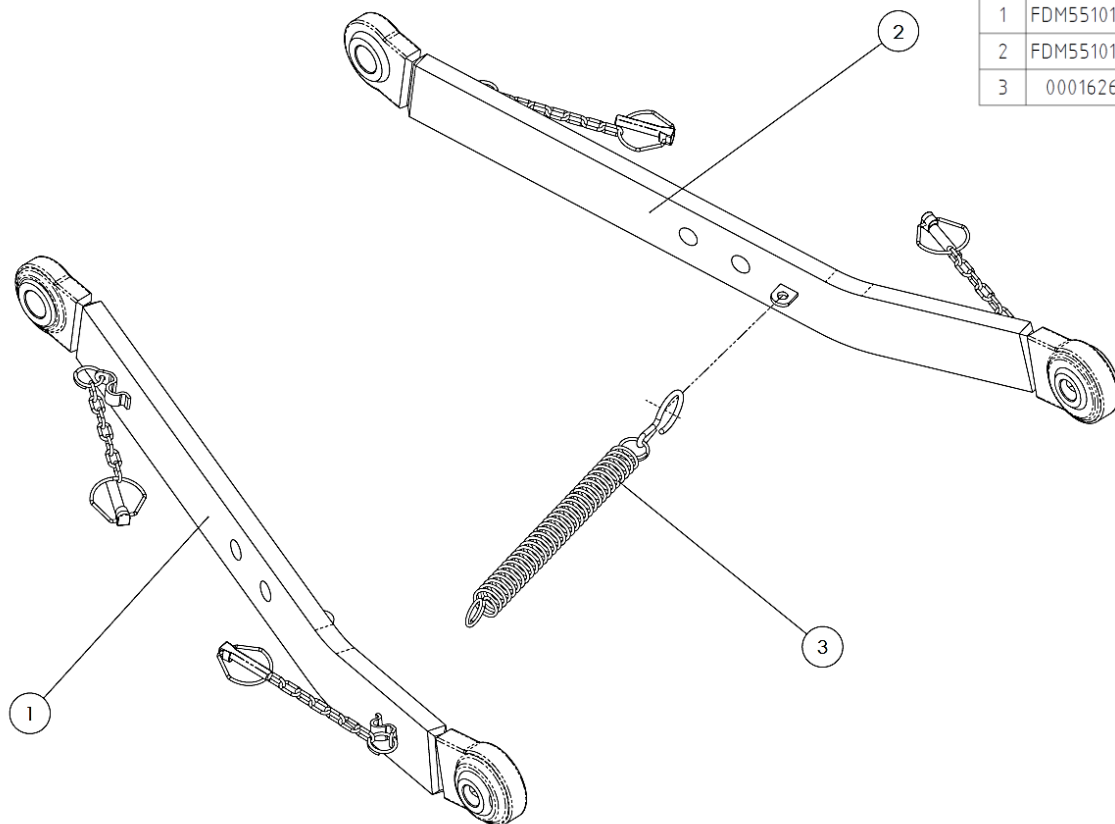
FDM131GR004-COOLING SYSTEM D18 E60



Pos.	Codice	Descrizione	Q.tà
1	FDM13201103	WATER COOLER	1
2	FDM11201108	CAC - TURBO	1
3	FDM13101117	COOLER WATER PIPE	1
4	FDM13101111	TUBE 90 G. 34X44	1
5	0634-0297	FASCETTA 32-50 H12 DIN 3017	10
6	FDM13101105	PUMP COOLER TUBE	1
7	FDM13101122	HEATING PIPE	1
8	FDM13101106	FITTING 8X15	1
9	FDM13101108	FITTING D.19X26	1
10	FBM13101102	SILICONE SLEEVE D35 L70	2
11	00061040	SERBATOIO ESPANSIONE LIQUIDO RADIATORE	1
12	FDM13101107	FITTING 90G. D.19X26	1
13	FDM13101118	EXPANSION TANK - PUMP PIPE	1
14	FDM11201107	SUCTION INLET TUBE	1
15	06180021	ROND. P.D. 17 X 30 X 3 ZN UNI6592	2
16	00025159	SUPPORTO INFERIORE RADIATORE	2
17	FDM13201104	LOWER COOLER PLATE	1
18	06100014	VITE TE M6 X 25 8.8 ZN UNI5739	3
19	06180011	ROND. P.D. 6.4 X 12 X 1.6 ZN UNIEN28738	14
20	06100012	VITE TE M6 X 16 8.8 ZN UNI5739	4
21	06180118	ROSETTA CON. D. 6,4 X 12 X 1,4 ZN UNI883	10
22	0634-0298	FASCETTA 50-70 H12 DIN 3017	2
23	06100019	VITE TE M8 X 14 8.8 ZN UNI5739	2
24	06180094	ROSETTA CON. D. 8,7 X 16 X 1,9 ZN	2
25	0634-0358	SUPPORTO ELAST. M6	6
26	FDM11201110	AIR CONVEYOR BOX	1
27	FDM11201109	AIR FILTER SLEEVE	1
28	FDM13101126	FITTING 8X15	1
29	06100072	VITE TE M6 X 18 8.8 ZN UNI5739	11
30	FDM46101122	SEAL ART.001.001031 L=840	1
31	FDM13101110	TUBO VASO-RADIATORE	1
32	0634-0215	FASCETTA 10-16 H9 DIN 3017	3
33	FEM13101109	DOUBLE CABLE TIE	2
34	06120001	DADO M6 X 5 CL.8 ZN UNI5588	6
35	0634-0469	FASCETTA FERMA CAVI	1
36	FDM13101123	STAFFA SUPPORTO VASO-FILTRO ARIA	1
37	FDM13101130	BRACKET	1
38	0634-0603	FASCETTA COBRA DN 14/8 (14.5-16.0)	3
39	0634-0606	FASCETTA COBRA DN 24/8 (24.5-26.0)	4
40	FCM13101109	TANK BREATHING TUBE	1
41	0634-0596	FASCETTA FERMATUBO D. 10	1



FDM551GR004-LIFT LOWER ARMS GROUP 2000E



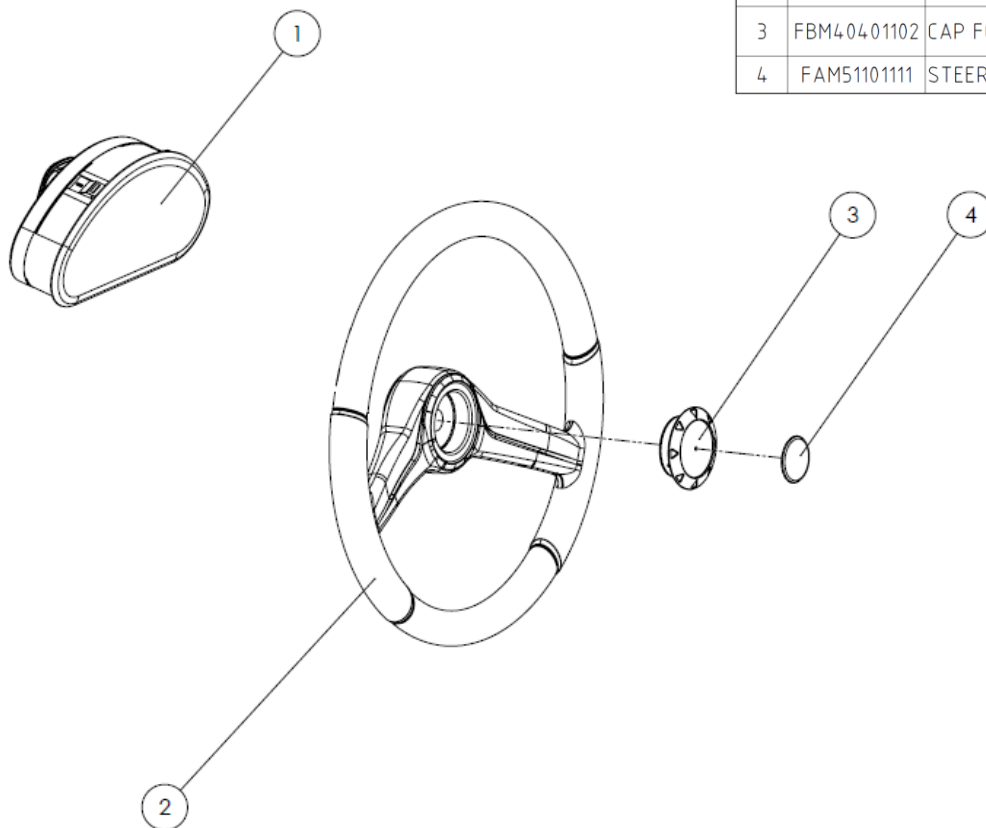
Pos.	Codice	Descrizione	Q.tà
1	FDM55101107	LEFT LIFT ARM 2000E	1
2	FDM55101106	RIGHT LIFT ARM 2000E	1
3	00016264	MOLLA D. 30 L= 304 F= 3 TENSIONE BRACCI	1



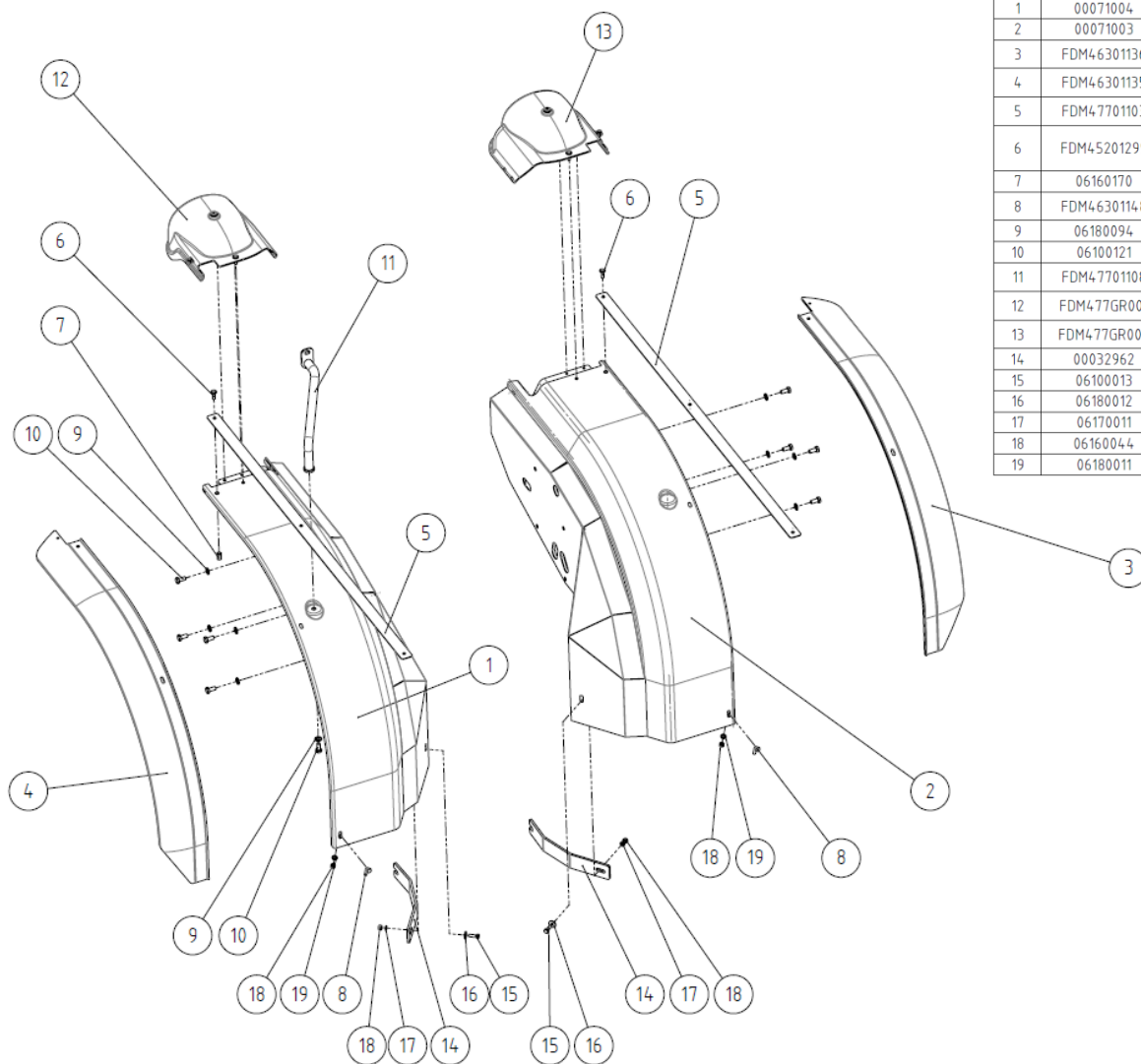
FDM488GR002-GR. DASHBOARD AND STEERING WHEEL SERIE E



Pos.	Codice	Descrizione	Q.tà
1	02051049	CRUSCOTTO MULTIF. ECOMATRIX A MULTIBRAND	1
2	FBM40401101	STEERING WHELL D.380	1
3	FBM40401102	CAP FOR STEERING WHEEL	1
4	FAM51101111	STEERING WHEEL G-K LOGO PLATE	1



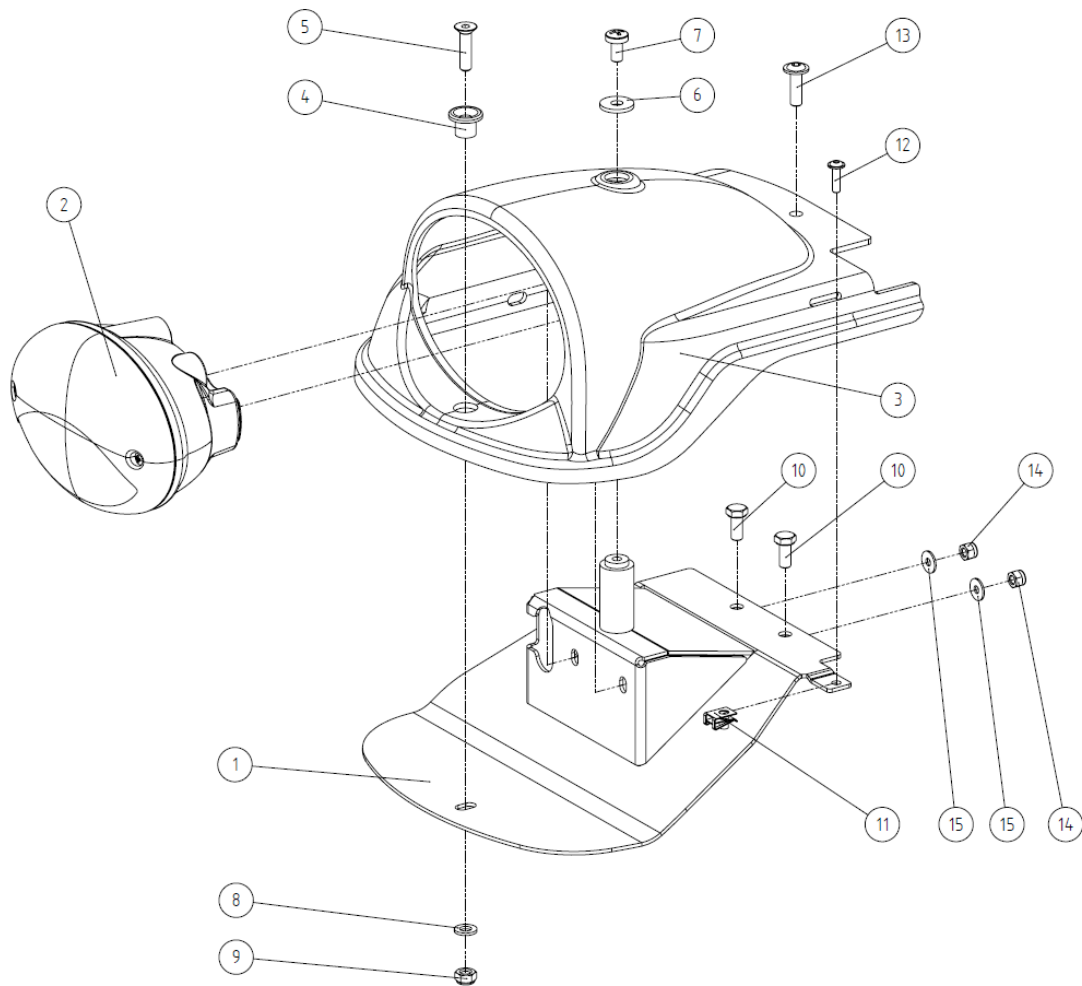
FDM456GR003-FRONT FENDER ASSEMBLY 2000E



Pos.	Codice	Descrizione	Q.tà
1	00071004	PARAFANGO ANT. SINISTRO	1
2	00071003	PARAFANGO ANT. DESTRO	1
3	FDM4.6301136	GUARNIZIONE PARAFANGO ANT.DES.	1
4	FDM4.6301135	GUARNIZIONE PARAFANGO ANT.SIN.	1
5	FDM4.7701103	LAMA FISS. MANTOVANE L=1068	2
6	FDM4.5201299	HEXAGON SOCKET BUTTON HEAD SCREW WITH FLANGE M6x20 10.9 ISO 7380-2 BLACK GALVANIZED	2
7	06160170	DADO RIVETTO M6 8.8 ESAG.	2
8	FDM4.6301148	SCREW BENT TE M6x35 8.8 UNI EN ISO 4014	2
9	06180094	ROSETTA CON. D. 8,7 X 16 X 1,9 ZN	9
10	06100121	VITE TE M8 X 18 8.8 ZN UNI5739	9
11	FDM4.7701108	MANIGLIA SALITA ROLL BAR -RS-	1
12	FDM4.77GR001	LEFT REAR RIGHT HEADLIGHT ASSEMBLY	1
13	FDM4.77GR002	RIGHT HEADLIGHT ASSEMBLY SERIES E (SN)	1
14	00032962	LAMA FISS. PARAFANGO	2
15	06100013	VITE TE M6 X 20 8.8 ZN UNI5739	2
16	06180012	ROND. P. D. 6,4 X 18 X 2 ZN UNI6593	2
17	06170011	ROSETTA EL. D. 6,4 X 11,4 X 2,5 ZN UNI17	2
18	06160044	DADO AUTOB. M6 X 7.6 CL.8 ZN UNI4773	4
19	06180011	ROND. P. D. 6,4 X 12 X 1.6 ZN UNIEN28738	2

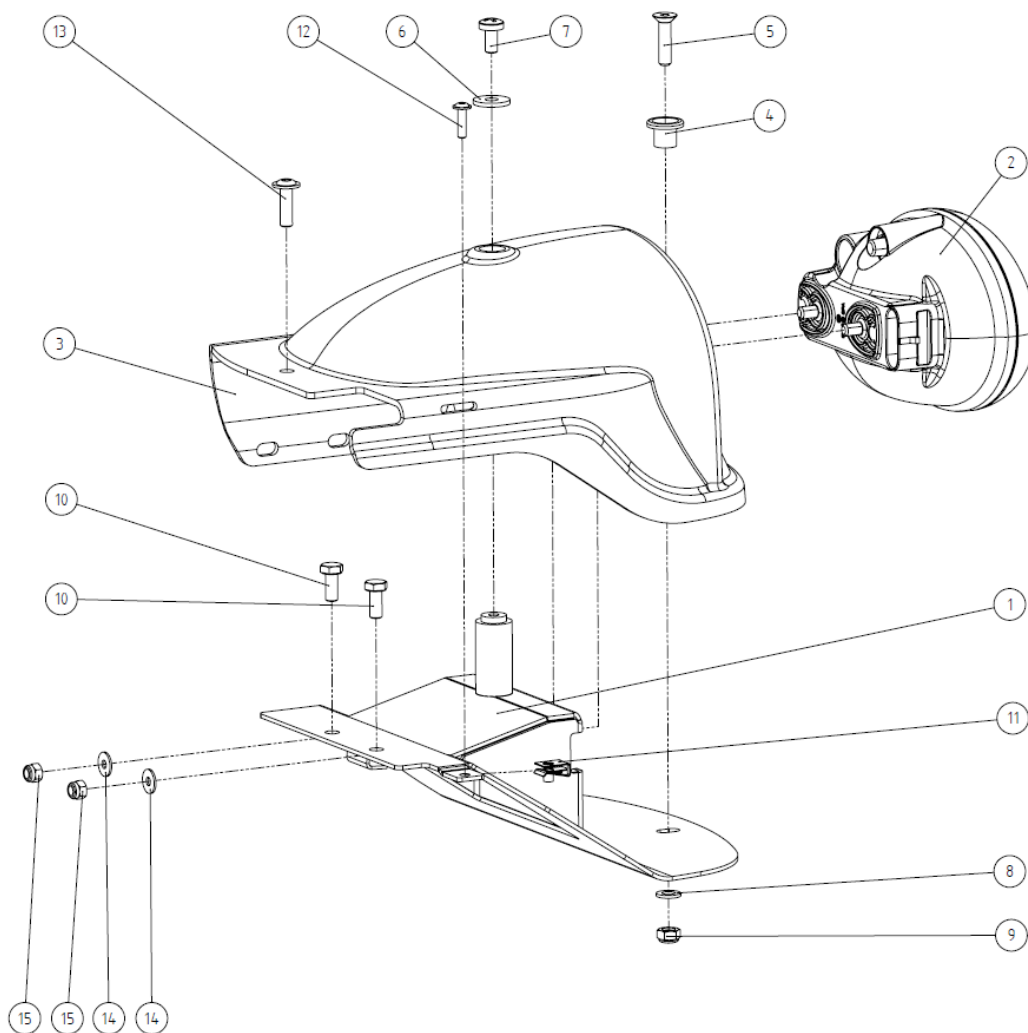


FDM477GR001-LEFT REAR HEADLIGHT ASSEMBLY



Pos.	Code	Descrizione	Q.tà
1	00065076	SUPPORTO FARO DES. COMPL.	1
2	02050949	FARO ANT. POSIZIONE E DIREZIONE "DX-SX"	1
3	00065070	PROTEZIONE FARO SIN.	1
4	00068232	DISTANZIALE FISS. PROT. FANALI SERIE E	1
5	06150151	VITE TSPEI M6 X 25 8.8 ZN UNI5933	1
6	06180012	ROND. P D. 6,4 X 18 X 2 ZN UNI6593	1
7	06150141	VITE T.C.CAVA C. M6 X 12 8.8 ZN UNI7687	1
8	06180118	ROSETTA CON. D. 6,4 X 12 X 1,4 ZN UNI883	1
9	06160092	DADO AUTOB. M6 X 6 CL.8 ZN UNI7474	1
10	06100010	VITE TE M6 X 14 8.8 ZN UNI5739	2
11	06160179	DADO GABBIA M4 SP. 0,5 -4 A MOLLA	1
12	FDM45201295	HEXAGON SOCKET BUTTON HEAD SCREW WITH FLANGE M4x15 10.9 ISO 7380-2 BLACK GALVANIZED	1
13	FDM45201299	HEXAGON SOCKET BUTTON HEAD SCREW WITH FLANGE M6x20 10.9 ISO 7380-2 BLACK GALVANIZED	1
14	06160078	DADO AUTOB. M5 X 6,8 CL.8 ZN UNI7473	2
15	06180111	ROND. P D. 4,3 X 12 X 1 ZN UNI1739	2

FDM477GR002-RIGHT HEADLIGHT ASSEMBLY SERIES E (SN)

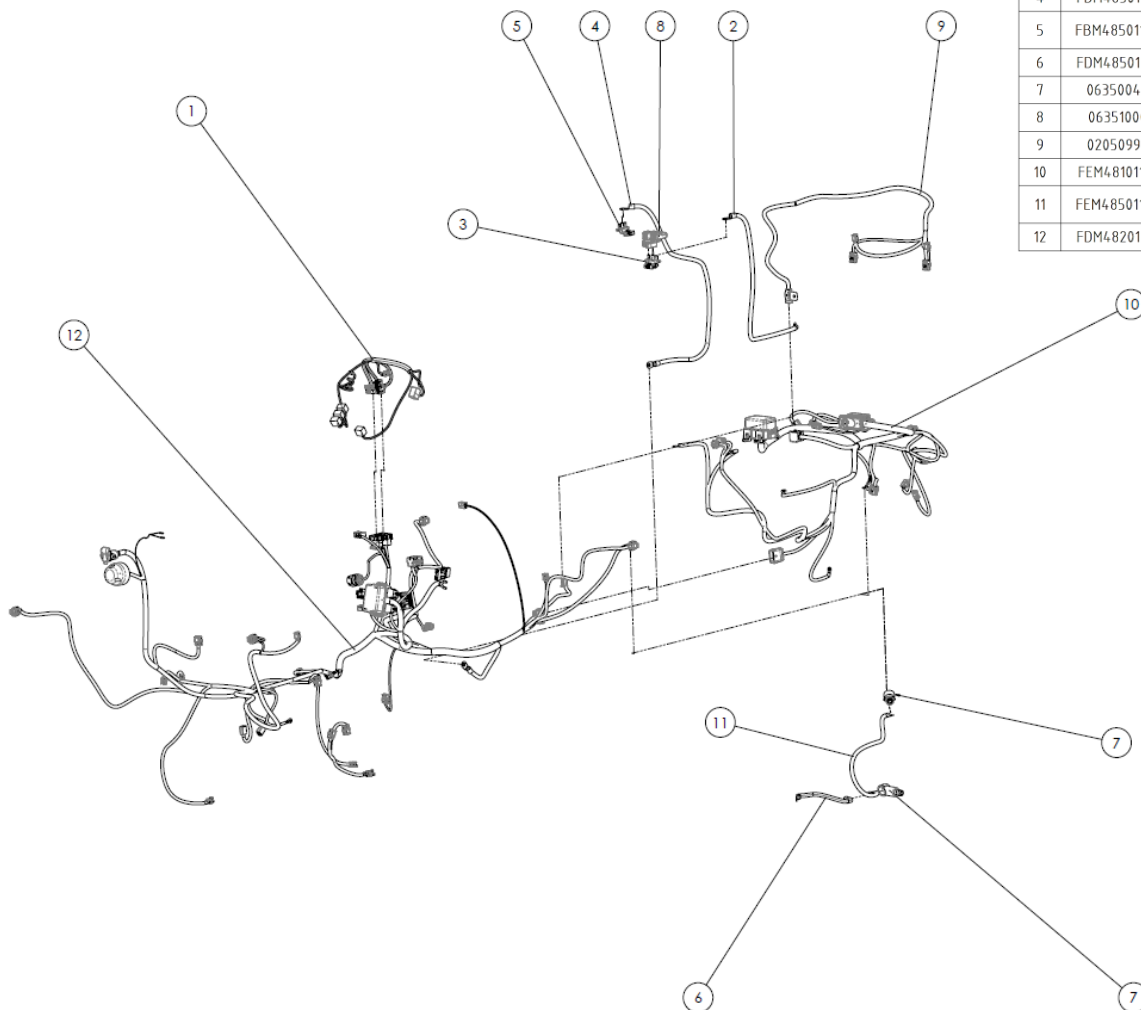


Pos.	Codice	Descrizione	Q.tà
1	00065040	SUPPORTO FARO SIN. COMPL.	1
2	02050949	FARO ANT. POSIZIONE E DIREZIONE "DX-SX"	1
3	00065037	PROTEZIONE FARO DES.	1
4	00068232	DISTANZIALE FISS. PROT. FANALI SERIE E	1
5	06150151	VITE TSPEI M6 X 25 8.8 ZN UNI5933	1
6	06180012	ROND. P D. 6,4 X 18 X 2 ZN UNI6593	1
7	06150141	VITE T.C.CAVA C. M6 X 12 8.8 ZN UNI7687	1
8	06180118	ROSETTA CON. D. 6,4 X 12 X 1,4 ZN UNI883	1
9	06160092	DADO AUTOB. M6 X 6 CL.8 ZN UNI7474	1
10	06100010	VITE TE M6 X 14 8.8 ZN UNI5739	2
11	06160179	DADO GABBIA M4 SP. 0,5 -4 A MOLLA	1
12	FDM45201295	HEXAGON SOCKET BUTTON HEAD SCREW WITH FLANGE M4x15 10.9 ISO 7380-2 BLACK GALVANIZED	1
13	FDM45201299	HEXAGON SOCKET BUTTON HEAD SCREW WITH FLANGE M6x20 10.9 ISO 7380-2 BLACK GALVANIZED	1
14	06180111	ROND. P D. 4,3 X 12 X 1 ZN UNI1739	2
15	06160078	DADO AUTOB. M5 X 6,8 CL.8 ZN UNI7473	2

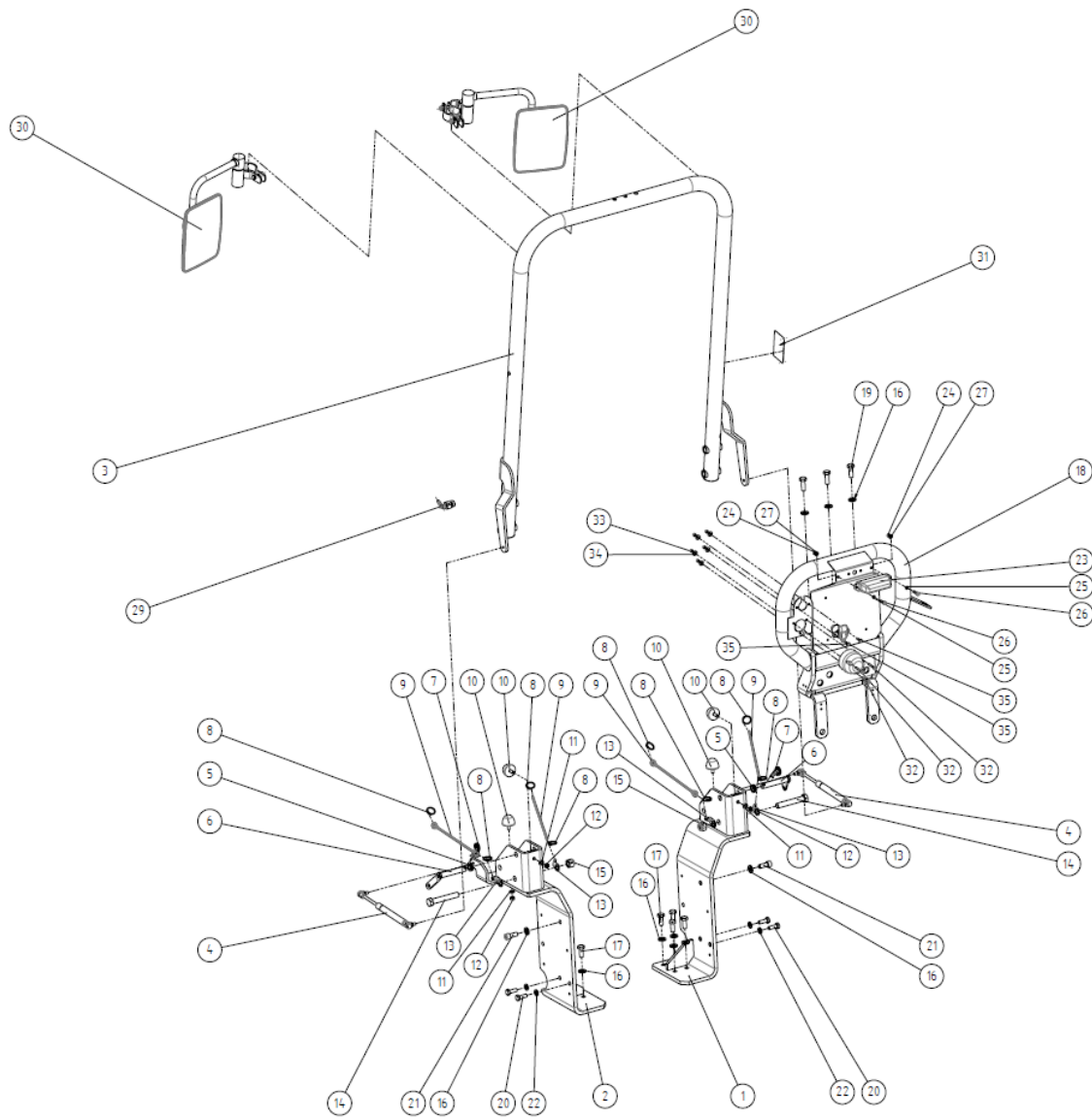
FDM485GR001-ELECTRICAL GROUP - 2000E



Pos.	Codice	Descrizione	Q.tà
1	FDM48701112	UPPER DASH BOARD	1
2	FDM48501109	BATTERY CABLE R50-650CGT-8-10	1
3	FBM48501105	POSITIVE BATTERY TERMINAL-3SREWS	1
4	FDM48501112	BATTERY CABLE N50-850CGT-8-8	1
5	FBM48501106	MORSETTO NEGATIVO BATTERIA	1
6	FDM48501110	BATTERY CABLE R50-300-L8-10	1
7	06350048	PROTEZIONE MOTORINO AVV.-ROSSO	2
8	06351000	PROTEZIONE POLO POSITIVO BATTERIA	1
9	02050996	CABLAGGIO FRONT LIGHTS	1
10	FEM48101101	D18 ENGINE HARNESS E60-C60-T60	1
11	FEM48501102	BATTERY CABLE R25-600CGT-8-8	1
12	FDM48201116	E60-TRANSMISSION HARNESS	1



FDM462GR003-ROLLBAR GROUP 2000E



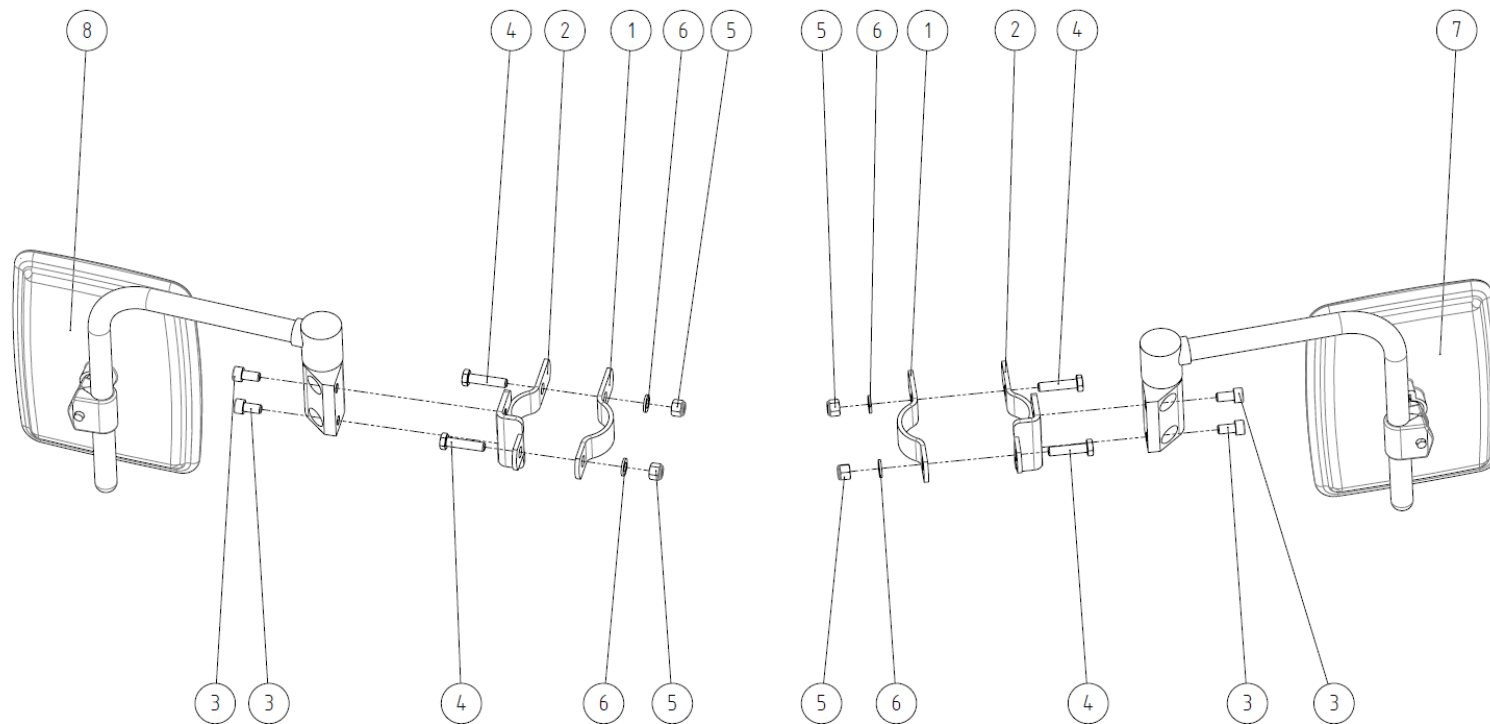
Pos.	Codice	Descrizione	Q.tà
1	00070553	SUPPORTO DES. ROLL-BAR	1
2	00070552	SUPPORTO SIN. ROLL-BAR	1
3	FDM46201002	FRONT PROTECTION ROLLBAR MAXTER	1
4	FDM46201001	MOLLA A GAS 80 KG	2
5	06350372	GOMMINO PASSACAVO D.14	2
6	00007550	PERNO SUPERIORE TELAIO	2
7	00021733	MOLLA A ERRE F= 4 X 64 2 SPIRE	2
8	00002982	ANELLO ELAST. D. 23 A MOLLA	8
9	00011396	CAVO ATTACCO MOLLA	4
10	00009877	SUPPORTO ELASTICO	4
11	06180094	ROSETTA CON. D. 8,7 X 16 X 1,9 ZN	4
12	06120048	DADO M8 X 6,5 CL.8 ZN UNI5588	4
13	FDM46101115	LAMIERINO ATTACCO MOLLA	4
14	06110050	VITE TE M16 X 100 8.8 ZN UNI5737	2
15	06160013	DADO AUTOB. M16 X 18 CL.8 ZN UNI7473	2
16	06180093	ROSETTA CON. D. 13,4 X 24 X 3,2 ZN UNI88	13
17	06100039	VITE TE M12 X 30 8.8 ZN UNI5739	8
18	FDM46201004	REAR PROTECTION CHASSIS	1
19	06100040	VITE TE M12 X 35 8.8 ZN UNI5739	3
20	06100030	VITE TE M10 X 30 8.8 ZN UNI5739	4
21	06130032	VITE TCEI M12 X 30 8.8 ZN UNI5931	2
22	06180096	ROSETTA CON. D. 10,5 X 20 X 2,6 ZN	4
23	MK020504.13	FANALINO TARGA COMPL.	1
24	06160044	DADO AUTOB. M6 X 7,6 CL.8 ZN UNI7473	2
25	06180073	ROND. SCHNORR D. 6 ZN	2
26	06130008	VITE TCEI M6 X 20 8.8 ZN UNI5931	2
27	06180011	ROND. P. D. 6,4 X 12 X 1,6 ZN UNIEN28738	2
28	FBM13101118	RACCORDO A GOMITO CON ESTREMITA' FILETTATA WES 8 / 1/4 NPT	1
29	FBM13101116	FEMALE PIPE ADAPTER SAE-ORB / NPTF 8-1/4 F50G-S	1
30	FDM528GR001	GR. SPECCHI RETROVISORI MAXTER MR	1
31	00043372	TARGHETTA MATRICOLA TELAIO PROT./CABINA	1
32	06130160	VITE TCEI M5 X 35 8.8 UNI5931	3
33	06160078	DADO AUTOB. M5 X 6,8 CL.8 ZN UNI7473	5
34	06180085	ROND. P. D. 5,5 X 15 X 1,6 UNI6593 ZN	5
35	FDM45201297	HEXAGON SOCKET BUTTON HEAD SCREW WITH FLANGE M5x20 10.9 ISO 7380-2 BLACK GALVANIZED	2



FDM528GR001-GR. SPECCHI RETROVISORI MAXTER MR

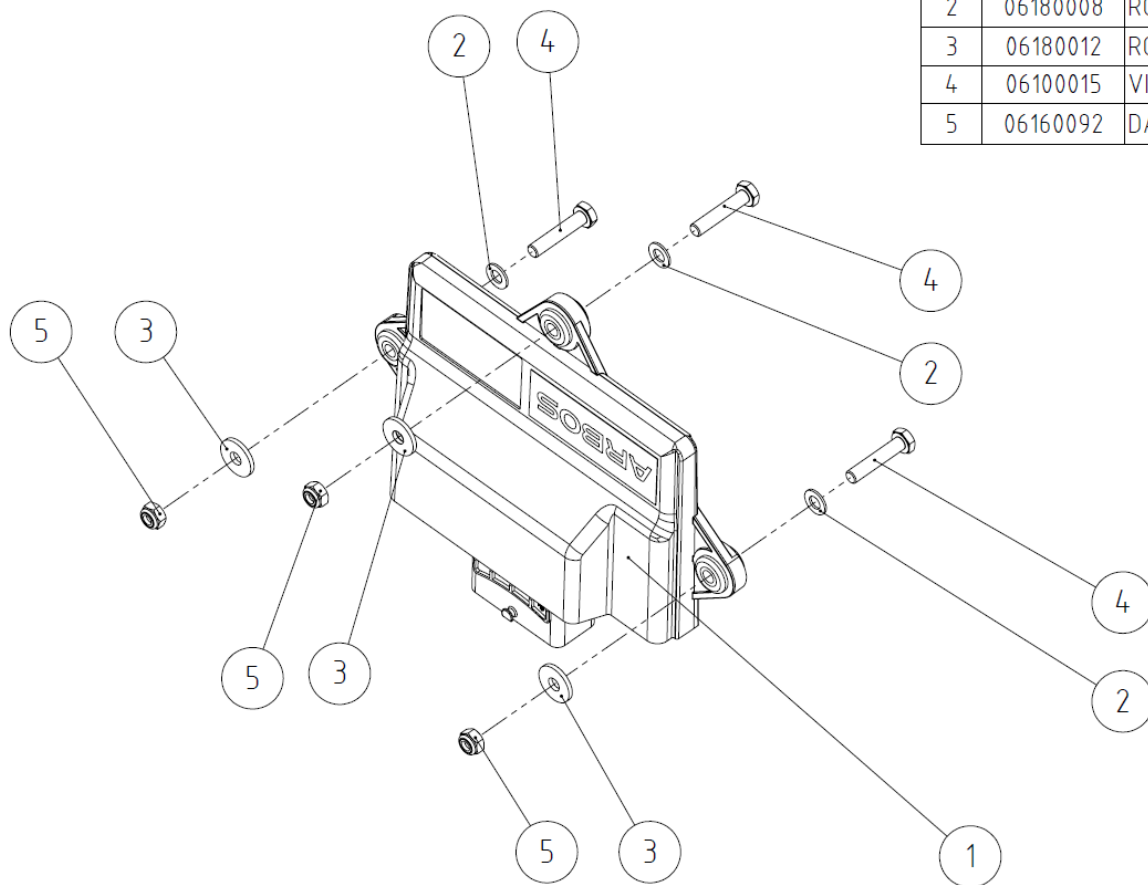


Pos.	Codice	Descrizione	Q.tà
1	00013951	LAMA FISSAGGIO SUP. SPECCHIETTO	2
2	00070588	SUPPORTO SPECCHIETTO RETROVISORE	2
3	06130067	VITE TCEI M8 X 16 8.8 ZN UNI5931	4
4	06110009	VITE TE M8 X 35 8.8 ZN UNI5737	4
5	06160047	DADO AUTOB. M8 X 10.6 CL.8 ZN UNI7473	4
6	06180094	ROSETTA CON. D. 8,7 X 16 X 1,9 ZN	4
7	FDM52801000	SINGLE LEFT REAR VIEW MIRROR BARRAC SERIES E60 (SW+AR)	1
8	FDM52801001	SINGLE RIGHT REAR VIEW MIRROR BARRAC SERIES E60 (SW+AR)	1





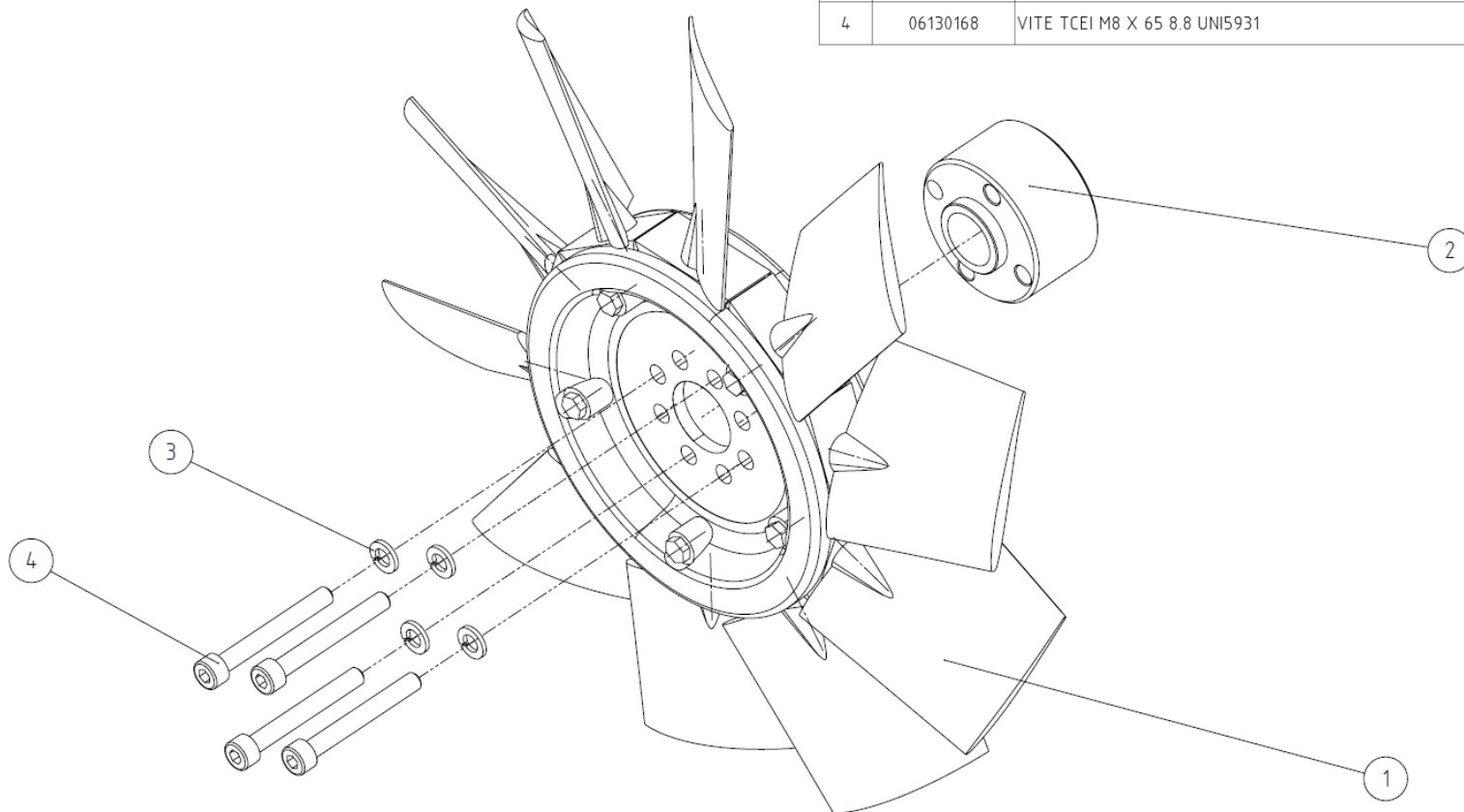
Pos.	Codice	Descrizione	Q.tà
1	02050988	CENTRALINA VCU TECNORD PER SERIE E	1
2	06180008	ROND. P D. 6.4 X 12 X 1 ZN UNIEN28738	3
3	06180012	ROND. P D. 6,4 X 18 X 2 ZN UNI6593	3
4	06100015	VITE TE M6 X 30 8.8 ZN UNI5739	3
5	06160092	DADO AUTOB. M6 X 6 CL.8 ZN UNI7474	3



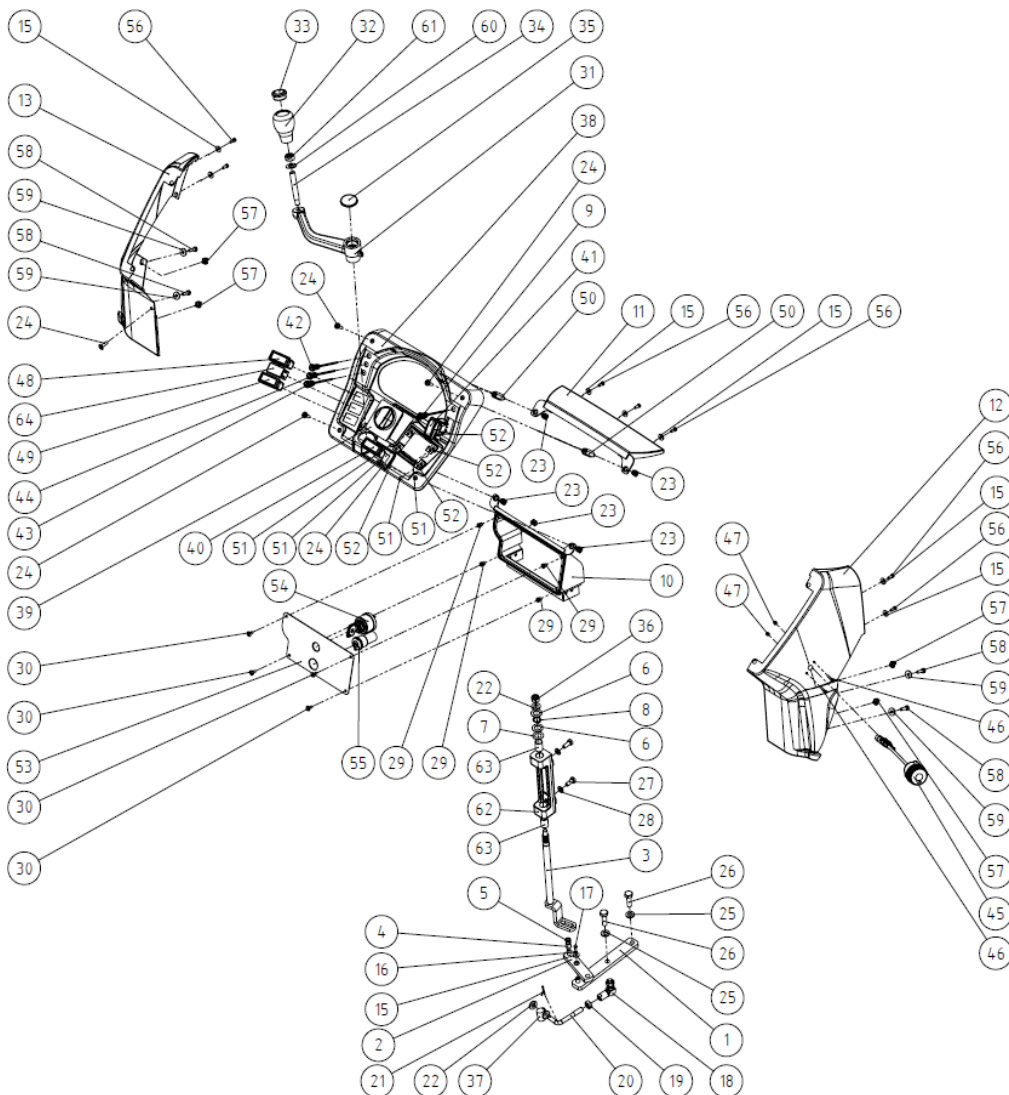
FDM131GR005-GR. FAN 2000E D18



Pos.	Codice	Descrizione	Q.tà
1	FDM13101125	ENGINE FAN (365 10-10 40° PAG)	1
2	FDM13101124	FAN SPACER 4000F	1
3	06170012	ROSETTA EL. D. 8,4 X 14,8 X 2 ZN UNI1751	4
4	06130168	VITE TCEI M8 X 65 8.8 UNI5931	4



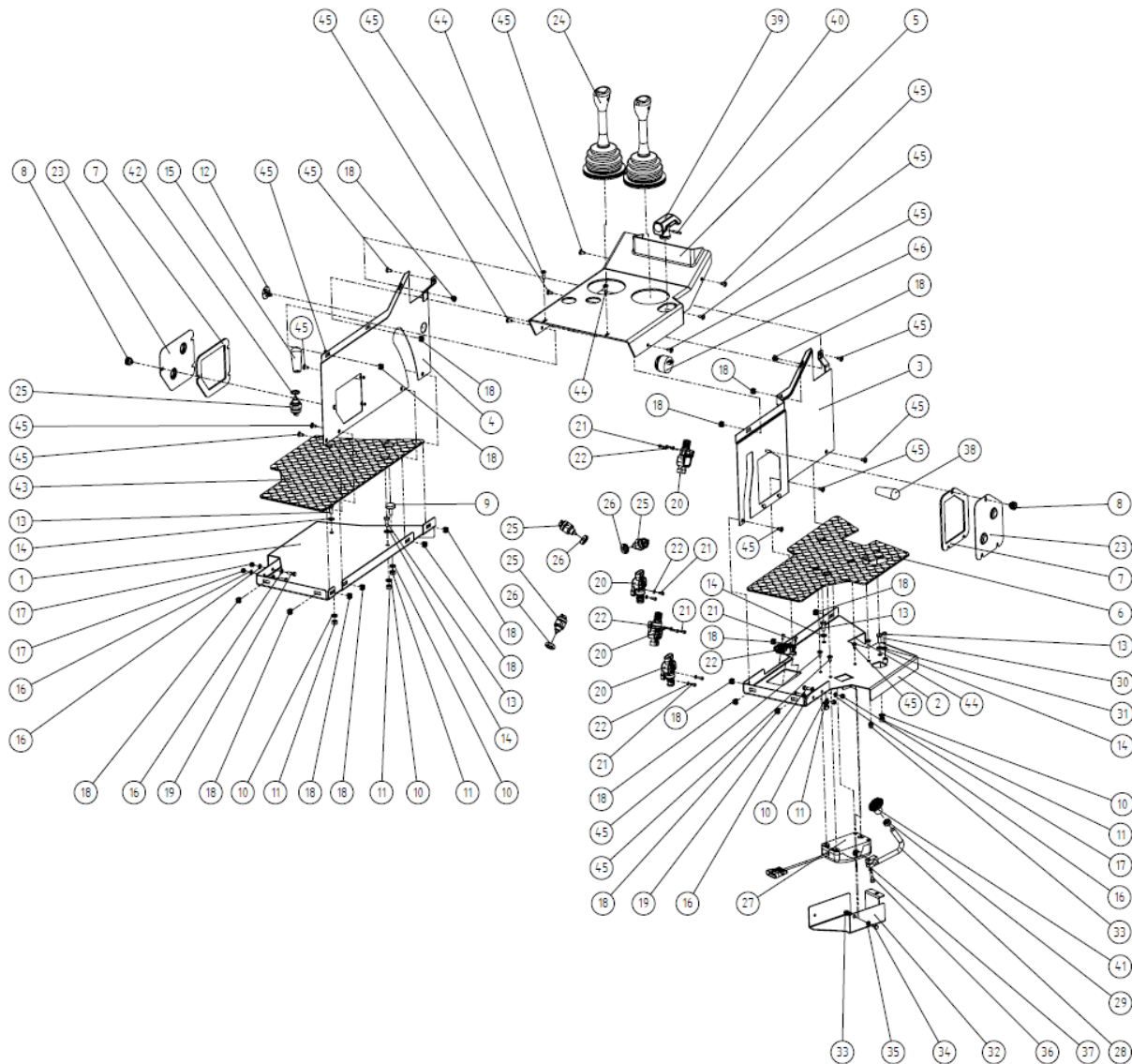
FDM404GR002-DASHBOARD-FIXED BONNET ASSY ST.5 (SW)



Pos.	Codice	Descrizione	Q.tà
1	00041482	SUPPORTO COMANDO INVERSORE	1
2	00041481	LAMA COMANDO INVERSORE	1
3	00041483	ASTA COMANDO INVERSORE	1
4	06210098	ANELLO INT. 8 X 12 X 12 IR INA	1
5	06240044	SEEGER 8 X 0.8 E UNI7435	1
6	00016907	DISTANZIALE D. 15.5 X 26 X 1	3
7	00061987	DISTANZIALE D. 15.2 X 26 X 0.4	1
8	06240008	SEEGER 15 X 1E UNI7435	1
9	06350973	INTERRUTTORE CONSENSO PTO SAFETY SWITCH	1
10	00069752	SUPPORTO CRUSC. INF.	1
11	00069751	COFANO FISSO SUP.	1
12	FDM1000114.2	RIGHT BONNET PLATE	1
13	FDM45201270	LEFT BONNET PLATE	1
14	00038845	BOCCOLA D. 10 X 12 X 9 CON SPALLAMENTO	1
15	06180085	ROND. P.D. 5,5 X 15 X 1,6 UNI6593 ZN	8
16	06170002	ROSETTA EL. D. 4,3 X 7,3 X 0,9 UNI1751A	1
17	06100063	VITE TE M4 X 12 8.8 ZN UNI5739	1
18	02040003	GIUNTO SFERICO ORTOGONALE CS16 M10	1
19	06120008	DADO M10 X 8 CL.8 ZN UNI5588	1
20	00032823	TIRANTE M10 X 72 COMDO INVERSORE	1
21	06270014	COPIGLIA 2,5 X 25 ZN UNI1336	1
22	06180076	ROND. P.D. 10,5 X 21 X 2 ZN UNI6592	2
23	06160147	DADO GABBIA M6 SP. 1,7-2,5	5
24	FDM45201299	HEXAGON SOCKET BUTTON HEAD SCREW WITH FLANGE M6x20 10.9 ISO 7380-2 BLACK GALVANIZED	5
25	06180096	ROSETTA CON. D. 10,5 X 20 X 2,6 ZN	2
26	06100031	VITE TE M10 X 35 8.8 ZN UNI5739	2
27	06100020	VITE TE M8 X 20 8.8 ZN UNI5739	2
28	06180094	ROSETTA CON. D. 8,7 X 16 X 1,9 ZN	2
29	MK06160145	DADO RIVELOX 5T1C15 M5 ALL.	4
30	FDM45201296	HEXAGON SOCKET BUTTON HEAD SCREW WITH FLANGE M5x12 10.9 ISO 7380-2 BLACK GALVANIZED	4
31	MK00029804	LEVA SINISTRA CAMBIO	1
32	00029802	IMPUGNATURA LEVA CAMBIO	1
33	06340579	COPERCHIO IMP. RID. ARANCIO	1
34	00030006	PERNO PER IMPUGNAT.	1
35	00029801	COPERCHIO D.30,5	1
36	06160072	DADO AUTOB. M10 X 10 CL.8 ZN UNI7474	1
37	00014979	MANICOTTO SNOODO ASTE	1
38	FDM40401117	DASHBOARD (CUT TED)	1
39	MK00014715	COPERCHIO PARA POLVERE	1
40	FCM48901105	HAZARD SWITCH RED HORIZ. 1500 SERIES	1
41	FCM48901111	REAR PTO SWITCH YELLOW VERT. 1500 SERIES	1
42	06350980	INTERRUTTORE MENU' +	1
43	06350982	INTERRUTTORE MENU' ENTER	1
44	06350981	INTERRUTTORE MENU' -	1
45	FDM20101102	ELEN HANDLE THROTTLE AA313021 REV.2	1
46	06150134	VITE T.C.CAVA C. M4 X 30 8.8 ZN UNI7687	2
47	06160065	DADO AUTOB. M4 X 6 CL.8 ZN UNI7473	2
48	FCM48901103	CRUISE CONTROL SWITCH HORIZ. 1500 SERIES	1
49	FCM48901113	REGENERATION/INHIBITION SWITCH BLACK HORIZ. 1500 SERIES	1
50	FDM40401118	COLONNETTA M/F M6 - M6 X 36,5	2
51	06100117	VITE TE M4 X 16 8.8 ZN UNI5739	4
52	06160177	DADO GABBIA M4 SP. 0,5 -2 A MOLLA	4
53	FDM40401119	LOWER DASHBOARD	1
54	02050230	INTERRUTTORE AVVIAMENTO CHIAVE+GHIERA NERA	1
55	FAP48801104	12V SOCKET LIGHTER	1
56	06100065	VITE TE M5 X 12 8.8 ZN UNI5739	7
57	06160161	DADO GABBIA M6 SP. 2,6-3,5	4
58	06100013	VITE TE M6 X 20 8.8 ZN UNI5739	4
59	06180012	ROND. P.D. 6,4 X 18 X 2 ZN UNI6593	4
60	06330117	MOLLA TAZZA 12,2 X 25 X 0,9 DIN2093	1
61	06160075	DADO AUTOB. M12 X 12 CL.8 ZN UNI7474	1
62	00029817	SUPPORTO ASTE CAMBIO	1
63	06250001	BOCCOLA AVV. D. 15 X 17 X 25	2
64	06350906	TAPPO NEUTRO NERO FORO 37X21	1



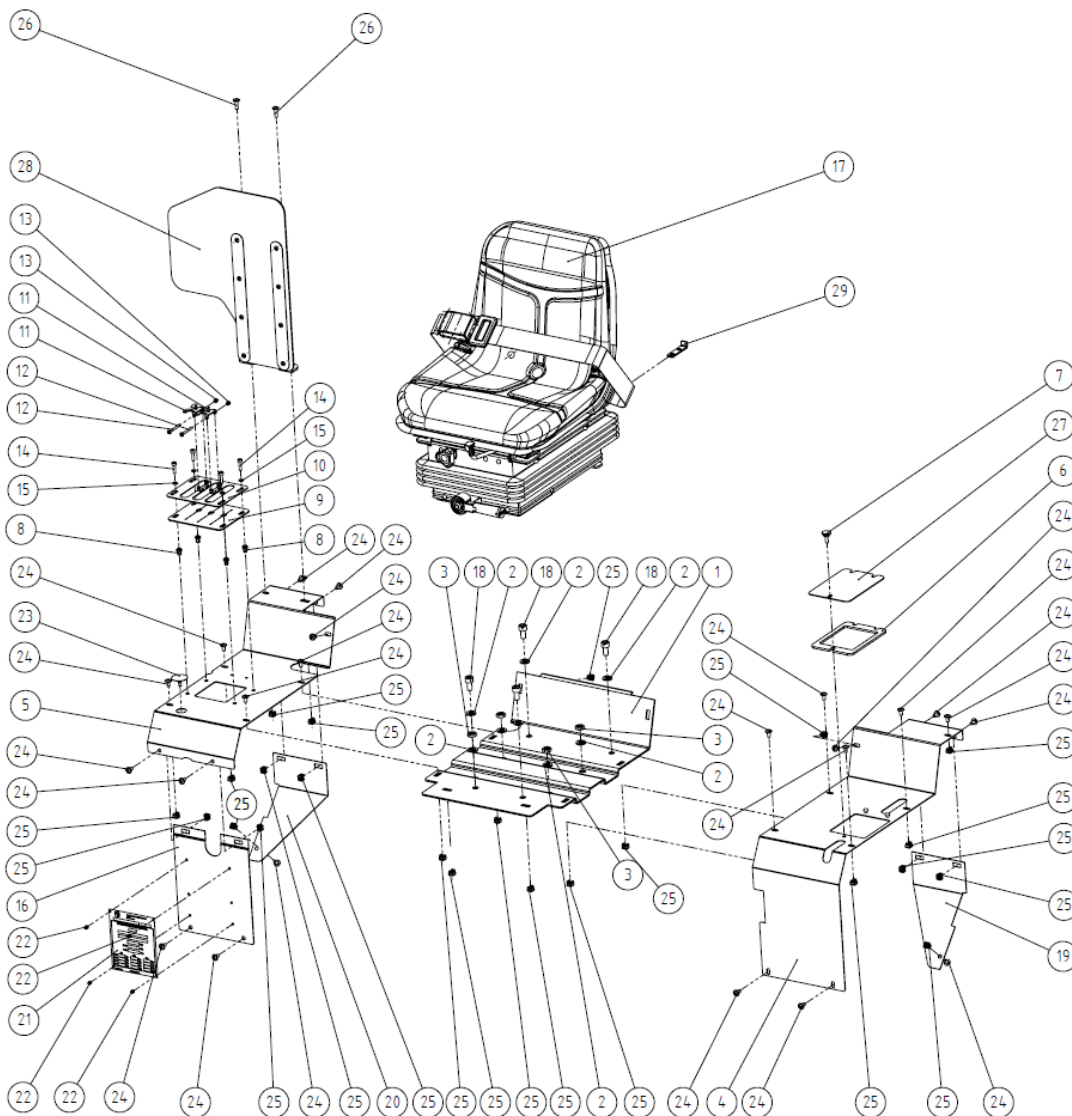
FDM452GR015-CENTRAL TUNNEL AND PLATFORM GR.)



Pos.	Codice	Descrizione	Q.tà
1	FDM45201332	LEFT PLATFORM E45/E60 - (SW)	1
2	FDM45201017	RIGHT PLATFORM	1
3	FDM45201112	LAMIERA PROTEZIONE DESTRA	1
4	FDM45201115	LAMIERA PROTEZIONE SINISTRA	1
5	FDM45501112	THERMOFORMED CONTROL PROTECTION E45/E60 (SW)	1
6	FDM45201262	RIGHT RUBBER PLATFORM E45/E60 (SW)	1
7	00022550	GUARNIZIONE COPERCHIO LATERALE	2
8	06330079	POMELLO M6 ZIGRINATO	2
9	00009145	SUPPORTO ELASTICO	1
10	06180094	ROSETTA CON D. 8,7 X 16 X 1,9 ZN	5
11	06120006	DADO M8 X 8 CL.8 ZN UNI5587	5
12	00032065	TAPPO CHIUSURA FORO D.34	1
13	06100020	VITE TE M8 X 20 8.8 ZN UNI5739	4
14	06180082	ROND. P. D. 8.4 X 16 X 1.6 UNI6592	4
15	06330268	POMELLO D. 12 GIALLO	1
16	06180011	ROND. P. D. 6.4 X 12 X 1.6 ZN UNIEN28738	8
17	06160044	DADO AUTOB. M6 X 7.6 CL.8 ZN UNI7473	4
18	06160161	DADO GABBIA M6 SP. 2,6-3,5	17
19	06100013	VITE TE M6 X 20 8.8 ZN UNI5739	4
20	FCM48901101	SWITCH NO/NC - PULSANTE NO/NC	5
21	06130002	VITE TCEI M4 X 10 8.8 ZN UNI5931	10
22	06180010	ROND. P. D. 4,3 X 9 X 0,8 ZN UNI6592	10
23	00070216	COPERCHIO LATERALE	2
24	02004.432	GR IMPUGNATURE LEVE CAMBIO NERE	1
25	02050437	PULSANTE CONSENSO	4
26	06120061	DADO M16 X 1,5 X 8 CL.8 ZN UNI5589	3
27	FDM20201103	ELECTRONIC LOGOS PEDAL (TYPE ELEN)	1
28	FDM20201105	GAS PEDAL	1
29	06120047	DADO M12 X 7 CL.8 ZN UNI5589	1
30	06100014	VITE TE M6 X 25 8.8 ZN UNI5739	1
31	06120054	DADO M6 X 4 CL.8 ZN UNI5589	1
32	FDM45201275	ACCELERATOR PEDAL PROTECTION	1
33	06160170	DADO RIVETTO M6 8.8 ESAG.	2
34	06100010	VITE TE M6 X 14 8.8 ZN UNI5739	1
35	06180118	ROSETTA CON D. 6,4 X 12 X 1,4 ZN UNI883	1
36	06130009	VITE TCEI M6 X 25 8.8 ZN UNI5931	1
37	06180073	ROND. SCHNORR D. 6 ZN	1
38	06330171	POMELLO D. 12 ARANCIO	1
39	06330173	IMPUGNATURA FRENO STAZ. ARANCIO	1
40	06260037	SPINA EL 5 X 26 UNI6873	1
41	0004.4657	PEDALE ARANCIO	1
42	06180092	ROND. SCHNORR D. 16 ZN D	1
43	FDM45201329	LEFT RUBBER PLATFORM E45/E60 (SW)	1
44	FDM45201299	HEXAGON SOCKET BUT TON HEAD SCREW WITH FLANGE M6x20 10.9 ISO 7380-2 BLACK GALVANIZED	3
45	FDM45201298	HEXAGON SOCKET BUT TON HEAD SCREW WITH FLANGE M6x12 10.9 ISO 7380-2 BLACK GALVANIZED	18
46	06350687	AVVISATORE ACUSTICO 31.022.000.02	1



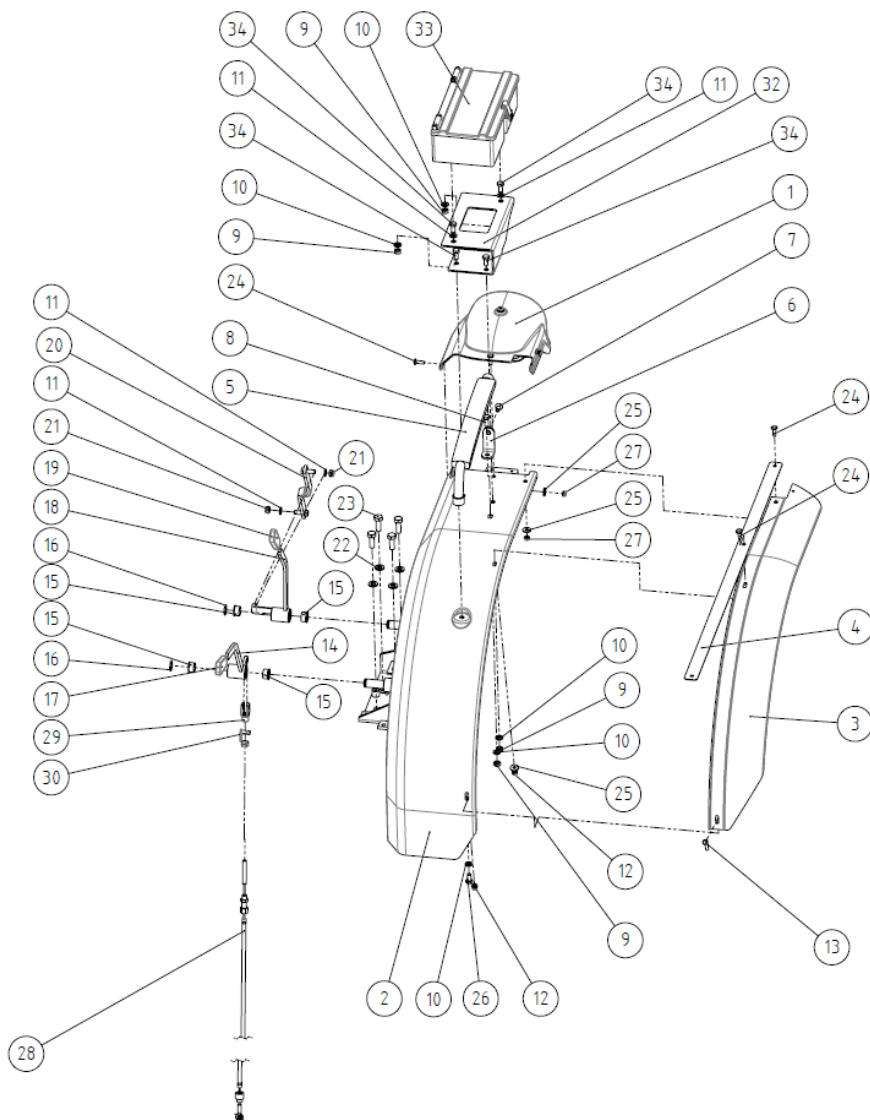
FDM452GR014-REAR SEAT AND PLATES GR.



Pos.	Codice	Descrizione	Q.tà
1	00069731	SUPPORTO SEDILE	1
2	06180096	ROSETTA CON. D. 10.5 X 20 X 2,6 ZN	8
3	06120007	DADO M10 X 6 CL.8 ZN UNI5589	4
4	FDM45201154	LEFT SIDE COVER (RS)	1
5	FDM45201146	COPERCHIO LATERALE DES. RS	1
6	00043672	GUARNIZIONE COPERCHIO LATERALE	1
7	06340227	POMELLO M6 PL1/20 THENAR	1
8	06160169	DADO RIVETTO M5 8.8 ESAG.	4
9	FDM45201148	GUARNIZIONE LEVE DISTRIB.	1
10	FDM45201147	MASCHERINA LEVE DISTRIB.	1
11	00066926	LEVER LOCK BRACKET	2
12	06150273	VITE T.C.CAVA C. M4 X 40 8.8 UNI7687	2
13	06160065	DADO AUTOB. M4 X 6 CL.8 ZN UNI7473	2
14	06130043	VITE TCEI M5 X 20 8.8 ZN UNI5931	4
15	06180031	ROND. P. D. 5,3 X 10 X 1 ZN UNI6592	4
16	00069760	COPERCHIO INFERIORE DES.	1
17	00066096	Sed.GT62S+M91/2-CINT+NERO	1
18	06130024	VITE TCEI M10 X 20 8.8 ZN UNI5931	4
19	FDM45201158	LAMIERA POST.SIN.	1
20	FDM45201157	LAMIERA POST.DES.	1
21	FAM97001196	HOMO PLATE GK (NEW LOGO)	1
22	06190018	RIVETTO STRAPPO D. 3 X 7 ALLUMINIO DIN73	4
23	00032065	TAPPO CHIUSURA FORO D.34	1
24	FDM45201298	HEXAGON SOCKET BUTTON HEAD SCREW WITH FLANGE M6x12 10.9 ISO 7380-2 BLACK GALVANIZED	23
25	06160161	DADO GABBIA M6 SP. 2,6-3,5	23
26	FDM45201299	HEXAGON SOCKET BUTTON HEAD SCREW WITH FLANGE M6x20 10.9 ISO 7380-2 BLACK GALVANIZED	2
27	00069769	COPERCHIO LATERALE	1
28	FDM45201018	REAR DISTR. LEVER PROTECTION	1
29	FDM444101101	SEAT LONGITUDINAL STOP	1



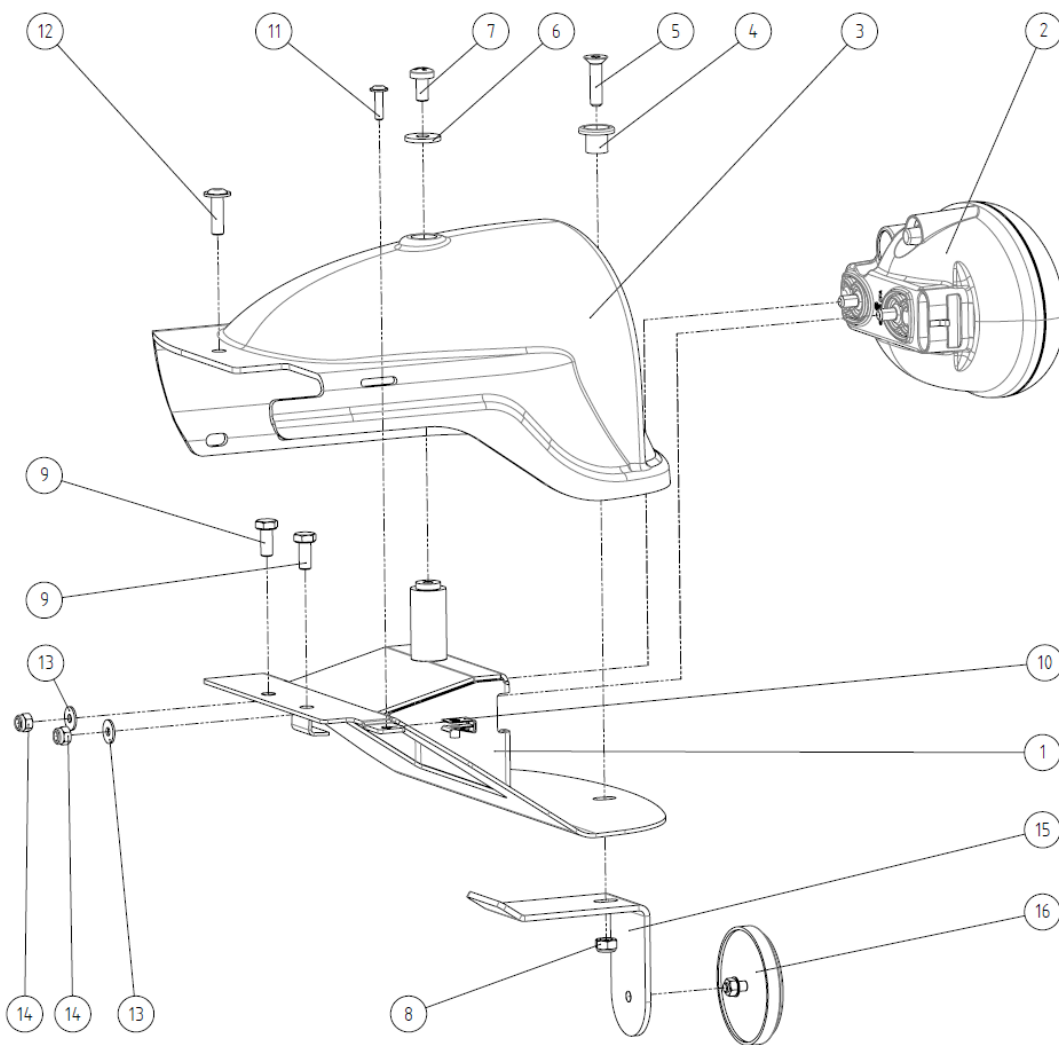
FDM456GR002-REAR LEFT FENDER ASSEMBLY (SW)



Pos.	Codice	Descrizione	Q.tà
1	FDM484GR001	GR. LEFT REAR LIGHT	1
2	00071006	PAINTED REAR LEFT FENDER (SW)	1
3	00070757	GUARNIZIONE PARAFANGO SIN. 20"	1
4	FDM47701104	LAMA FISS. MANTOVANE L=921	1
5	MK00026912	IMPUGNATURA	1
6	00070473	SUPPORTO POST. IMPUGNATURA	1
7	06150211	VITE TSPEI M8 X 16 8.8 UNI5933	1
8	06100020	VITE TE M8 X 20 8.8 ZN UNI5739	1
9	06120048	DADO M8 X 6.5 CL.8 ZN UNI5588	5
10	06180094	ROSETTA CON. D. 8,7 X 16 X 1,9 ZN	6
11	06180082	ROND. P D. 8.4 X 16 X 1.6 UNI6592	4
12	06160044	DADO AUTOB. M6 X 7.6 CL.8 ZN UNI7473	2
13	FDM46301148	SCREW BENT TE M6x35 8.8 UNI EN ISO 4014	1
14	00032970	LEVA COM. BLOCC. DIFF.	1
15	00005631	BOCCOLA D. 18 X 21 X 12	4
16	06240043	SEEGER 18 X 1,2 E UNI7435	2
17	FDM45201131	IMPUGNATURA ARANCIO	1
18	00032971	LEVA COM. BLOCC. DIFF.	1
19	06330169	IMPUGNATURA LEVA GIALLA	1
20	00032972	TIRANTE COM.DO PDF	1
21	06160088	DADO AUTOB. M8 X 8,5 CL.8 ZN UNI7474	2
22	06180096	ROSETTA CON. D. 10,5 X 20 X 2,6 ZN	4
23	06100030	VITE TE M10 X 30 8.8 ZN UNI5739	4
24	FDM45201299	HEXAGON SOCKET BUTTON HEAD SCREW WITH FLANGE M6x20 10.9 ISO 7380-2 BLACK GALVANIZED	3
25	06180012	ROND. P D. 6,4 X 18 X 2 ZN UNI6593	3
26	06100067	VITE TE M8 X 16 8.8 ZN UNI5739	1
27	06160092	DADO AUTOB. M6 X 6 CL.8 ZN UNI7474	2
28	00033032	CAVO BLOCCAGGIO DIFFERENZIALE ANTERIORE	1
29	06340143	FORCELLA KALWAS G 8X16 DIN71752	1
30	06340144	PERNO KALWAS D. 8 X 16	1
31	06180011	ROND. P D. 6.4 X 12 X 1.6 ZN UNIEN28738	1
32	FDM45201327	TOOL BOX SUPPORT PLATE E45/E60 - (SW+AR)	1
33	00026232	SCATOLA ACCESSORI COMPL.	1
34	06100121	VITE TE M8 X 18 8.8 ZN UNI5739	4

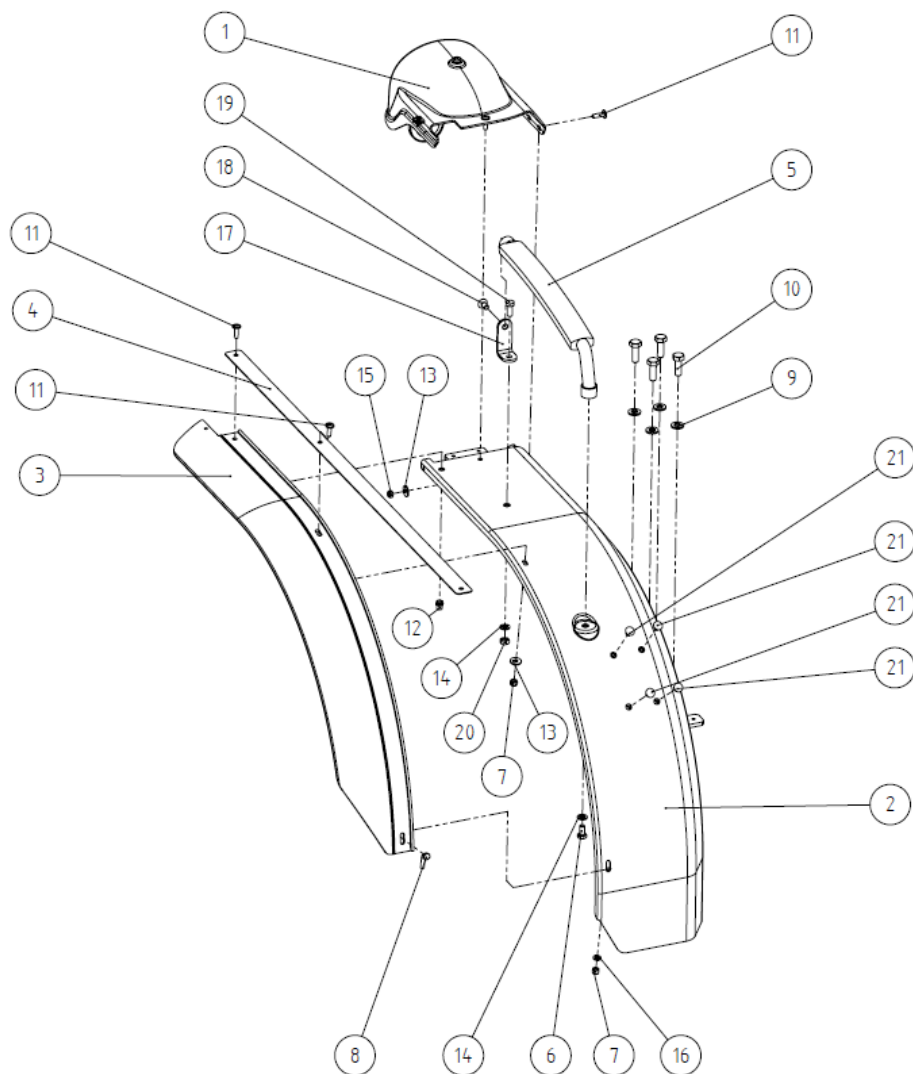


FDM484GR001-GR. LEFT REAR LIGHT



Pos.	Codice	Descrizione	Q.tà
1	00065040	SUPPORTO FARO SIN. COMPL.	1
2	02050963	FARO POST. STOP E DIREZIONE "DX-SX"	1
3	00065037	PROTEZIONE FARO DES.	1
4	00068232	DISTANZIALE FISS. PROT. FANALI SERIE E	1
5	06150151	VITE TSPEI M6 X 25 8.8 ZN UNI5933	1
6	06180012	ROND. P D. 6,4 X 18 X 2 ZN UNI6593	1
7	06150141	VITE T.C.CAVA C. M6 X 12 8.8 ZN UNI7687	1
8	06160092	DADO AUTOB. M6 X 6 CL.8 ZN UNI7474	1
9	06100010	VITE TE M6 X 14 8.8 ZN UNI5739	2
10	06160179	DADO GABBIA M4 SP. 0,5 -4 A MOLLA	1
11	FDM45201295	HEXAGON SOCKET BUTTON HEAD SCREW WITH FLANGE M4x15 10.9 ISO 7380-2 BLACK GALVANIZED	1
12	FDM45201299	HEXAGON SOCKET BUTTON HEAD SCREW WITH FLANGE M6x20 10.9 ISO 7380-2 BLACK GALVANIZED	1
13	06180111	ROND. P D. 4,3 X 12 X 1 ZN UNI1739	2
14	06160078	DADO AUTOB. M5 X 6,8 CL.8 ZN UNI7473	2
15	FDM45202101	REFLECTOR SUPPORT BRACKET E45/E60 - (SW+AR)	1
16	06350070	RED RETROREFLECTOR D.60	1

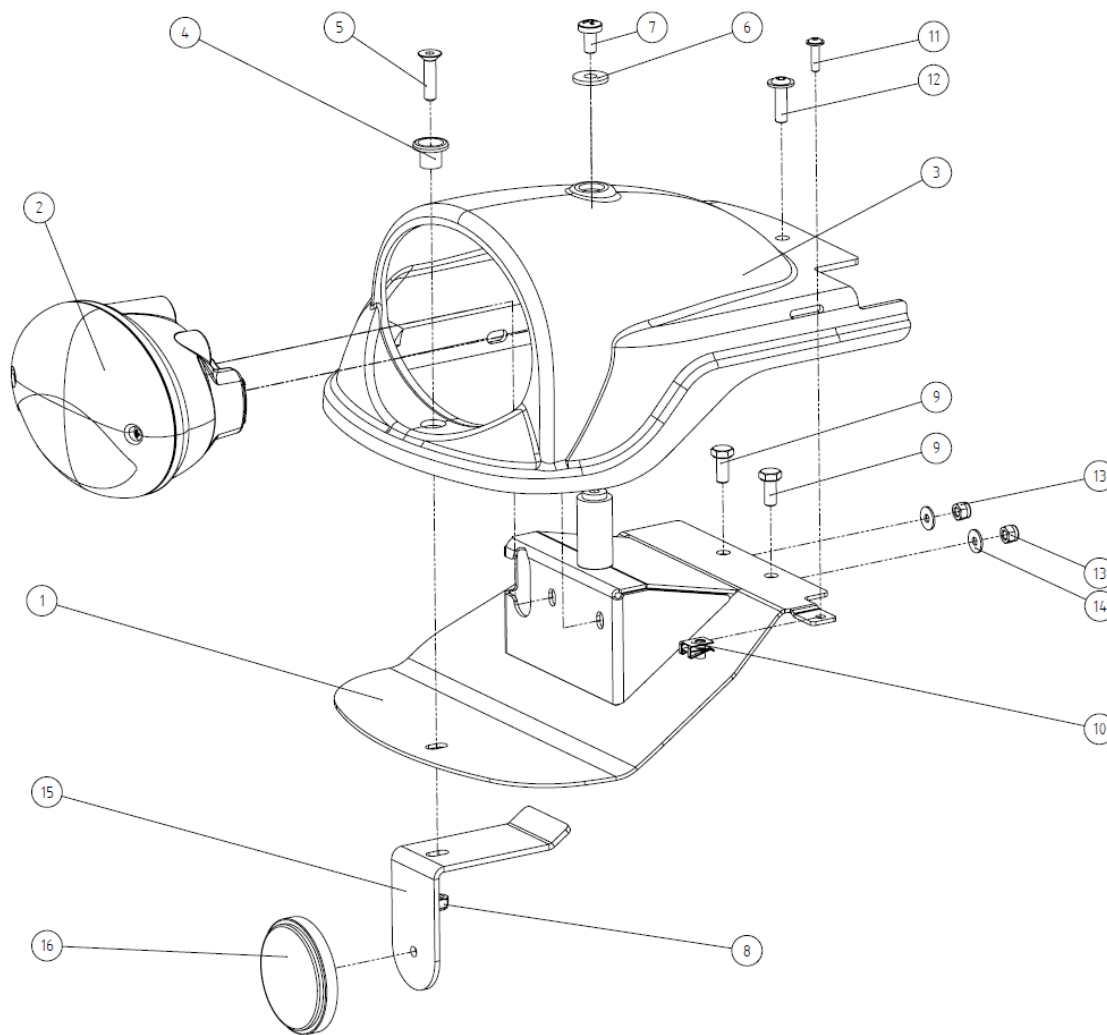
FDM456GR001-RIGHT REAR FENDER ASSEMBLY (SW)



Pos.	Codice	Descrizione	Q.tà
1	FDM484GR002	GR. REAR RIGHT LIGHT	1
2	FDM46301015	PAINTED RIGHT REAR FENDER E45/E60 - (SW)	1
3	00070758	GUARNIZIONE PARAFANGO DES. 20"	1
4	FDM47701104	LAMA FISS. MANTOVANE L=921	1
5	MK00026912	IMPUGNATURA	1
6	06100067	VITE TE M8 X 16 8.8 ZN UNI5739	1
7	06160044	DADO AUTOB. M6 X 7.6 CL.8 ZN UNI7473	2
8	FDM46301148	SCREW BENT TE M6x35 8.8 UNI EN ISO 4014	1
9	06180096	ROSETTA CON. D. 10,5 X 20 X 2,6 ZN	4
10	06100030	VITE TE M10 X 30 8.8 ZN UNI5739	4
11	FDM45201299	HEXAGON SOCKET BUTTON HEAD SCREW WITH FLANGE M6x20 10.9 ISO 7380-2 BLACK GALVANIZED	3
12	06160170	DADO RIVETTO M6 8.8 ESAG.	1
13	06180012	ROND. P D. 6,4 X 18 X 2 ZN UNI6593	2
14	06180094	ROSETTA CON. D. 8,7 X 16 X 1,9 ZN	2
15	06160092	DADO AUTOB. M6 X 6 CL.8 ZN UNI7474	1
16	06180011	ROND. P D. 6,4 X 12 X 1,6 ZN UNIEN28738	1
17	00070473	SUPPORTO POST. IMPUGNATURA	1
18	06150211	VITE TSPEI M8 X 16 8.8 UNI5933	1
19	06100020	VITE TE M8 X 20 8.8 ZN UNI5739	1
20	06120048	DADO M8 X 6.5 CL.8 ZN UNI5588	1
21	00034498	TAPPO D. 10 CHIUSURA FORO	4

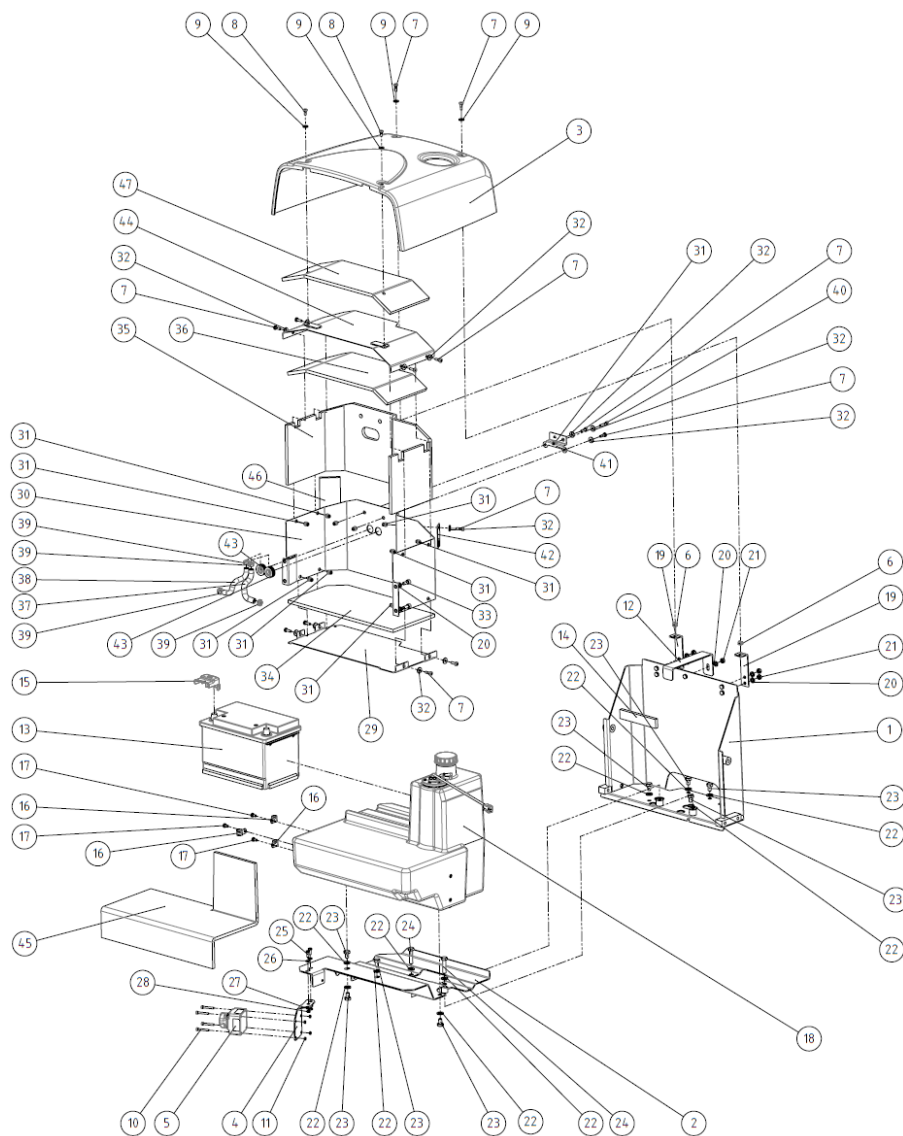


FDM484GR002-GR. REAR RIGHT LIGHT



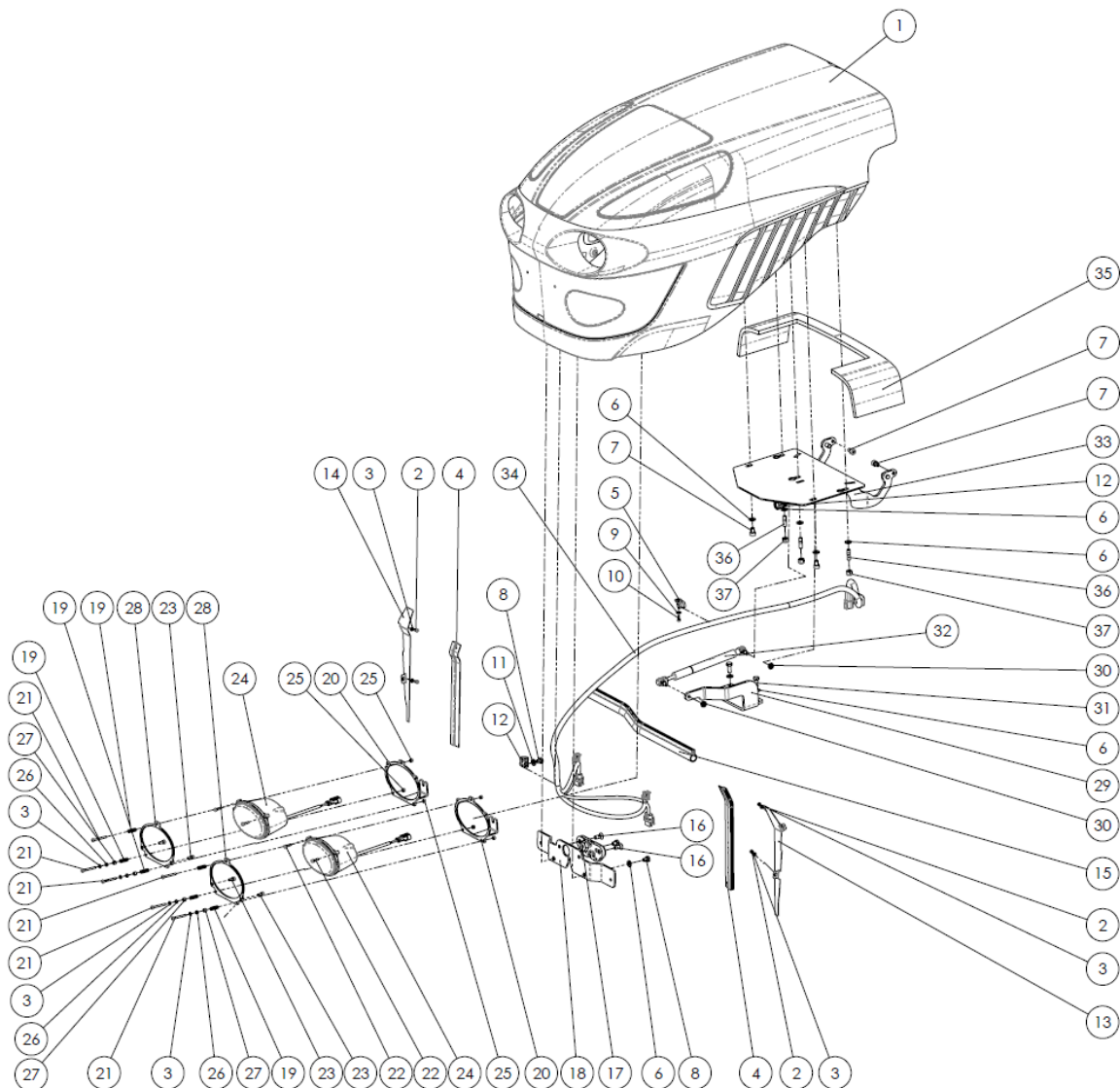
Pos.	Codice	Descrizione	Q.tà
1	00065076	SUPPORTO FARO DES. COMPL.	1
2	02050963	FARO POST. STOP E DIREZIONE "DX-SX"	1
3	00065070	PROTEZIONE FARO SIN.	1
4	00068232	DISTANZIALE FISS. PROT. FANALI SERIE E	1
5	06150151	VITE TSPEI M6 X 25 8.8 ZN UNI5933	1
6	06180012	ROND. P. D. 6,4 X 18 X 2 ZN UNI6593	1
7	06150141	VITE T.C.CAVA C. M6 X 12 8.8 ZN UNI7687	1
8	06160092	DADO AUTOB. M6 X 6 CL.8 ZN UNI7474	1
9	06100010	VITE TE M6 X 14 8.8 ZN UNI5739	2
10	06160179	DADO GABBIA M4 SP. 0,5 -4 A MOLLA	1
11	FDM45201295	HEXAGON SOCKET BUTTON HEAD SCREW WITH FLANGE M4x15 10.9 ISO 7380-2 BLACK GALVANIZED	1
12	FDM45201299	HEXAGON SOCKET BUTTON HEAD SCREW WITH FLANGE M6x20 10.9 ISO 7380-2 BLACK GALVANIZED	1
13	06160078	DADO AUTOB. M5 X 6,8 CL.8 ZN UNI7473	2
14	06180111	ROND. P. D. 4,3 X 12 X 1 ZN UNI1739	2
15	FDM45202101	REFLECTOR SUPPORT BRACKET E45/E60 - (SW+AR)	1
16	06350070	RED RETROREFLECTOR D.60	1

FDM501GR002-GR. TANK PROT. ATS



Pos.	Codice	Descrizione	Q.tà
1	FDM50601001	REAR TANK BRACKET ASSY	1
2	FDM10101008	TANK SUPPORT	1
3	FDM4-7101112	FIXED BONNET	1
4	00061899	BATTERY ON/OFF SWITCH PLATE	1
5	02050944	INTERRUTTORE STACCABATTERIA 300A	1
6	06160161	DADO GABBIA M6 SP. 2,6-3,5	2
7	06150216	VITE T.C.CAVA C. M6 X 20 8.8 ZN UNI7687	13
8	06150214	VITE T.C.CAVA C. M6 X 14 8.8 UNI7687	2
9	06180057	ROND. P. D. 6,4 X 16 X 2 ZN	4
10	06130160	VITE TCEI M5 X 35 8.8 UNI5931	4
11	06120004	DADO M5 X 4 CL.8 ZN UNI5588	4
12	FDM50601105	FIXING TANK PLATE	1
13	06350754	BATTERIA 12 V 74 AH 680 A	1
14	00039373	GUARNIZIONE 30X10X150 ADESSIVA	1
15	06351000	PROTEZIONE POLO POSITIVO BATTERIA	1
16	FDM40301101	FASCETTA FERMATUBO D.12	3
17	06150141	VITE T.C.CAVA C. M6 X 12 8.8 ZN UNI7687	3
18	FDM50101001	FUEL TANK ASSY	1
19	FDM4-7101113	BONNET BATTERY FIXING BRACKET	2
20	06180094	ROSETTA CON. D. 8,7 X 16 X 1,9 ZN	9
21	06120048	DADO M8 X 6,5 CL.8 ZN UNI5588	5
22	06180096	ROSETTA CON. D. 10,5 X 20 X 2,6 ZN	10
23	06100027	VITE TE M10 X 16 8.8 ZN UNI5739	8
24	06100033	VITE TE M10 X 45 8.8 ZN UNI5739	2
25	06100012	VITE TE M6 X 16 8.8 ZN UNI5739	2
26	06180011	ROND. P. D. 6,4 X 12 X 1,6 ZN UNIEN28738	2
27	06180118	ROSETTA CON. D. 6,4 X 12 X 1,4 ZN UNI883	2
28	06120054	DADO M6 X 4 CL.8 ZN UNI5589	2
29	FDM50701103	PROTECTION PLATE	1
30	FDM50701104	LATERAL PROTECTION PLATE	1
31	06160170	DADO RIVETTO M6 8.8 ESAG.	12
32	06180012	ROND. P. D. 6,4 X 18 X 2 ZN UNI6593	12
33	06130016	VITE TCEI M8 X 20 8.8 ZN UNI5931	4
34	FDM50701107	LOWER THERMAL INSULATION	1
35	FDM50701108	LATERAL THERMAL INSULATION	1
36	FDM50701109	UPPER THERMAL INSULATION	1
37	FDM10101161	DELTA P PIPE	1
38	FDM10101161	DELTA P PIPE	1
39	06340603	FASCETTA COBRA DN 14/8 (14.5-16.0)	4
40	06130010	VITE TCEI M6 X 30 8.8 ZN UNI5931	1
41	FDM50701110	BRACKET	1
42	FDM50701111	PLATE	1
43	06350965	GOMMINO PASSACAPO D.17.5	2
44	FDM50701002	COVER ATS PROTECTION ASSY	1
45	FDM50701113	THERMAL INSULATION	1
46	FDM50701114	THERMAL INSULATION	1
47	FDM50701115	UPPER THERMAL INSULATION	1

FDM471GR008-GR. BONNET ENGINE DOOSAN D 18 2000E SERIES



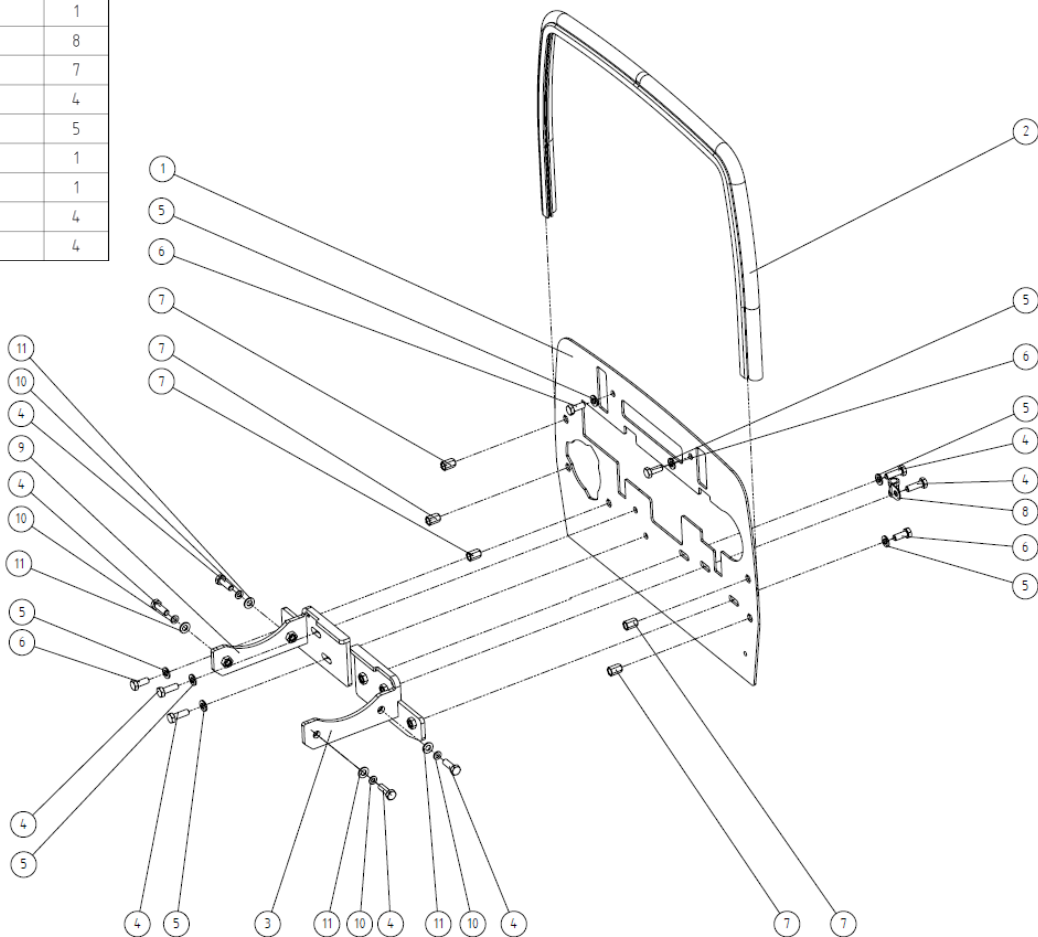
Pos.	Codice	Descrizione	Q.tà
1	FDM47101009	BONNET DOOSAN D 18 ENGINE COMPL.	1
2	06130087	VITE TCEI M4 X 8 8.8 ZN UNI5931	4
3	06180010	ROND. P.D. 4,3 X 9 X 0,8 ZN UNI6592	8
4	00070468	GUARNIZIONE A056 S2021 L285	2
5	06340466	FASCETTA FERMATUBO D. 10 TIPO LEGGERO	1
6	06180082	ROND. P.D. 8.4 X 16 X 1.6 UNI6592	9
7	06130056	VITE TCEI M8 X 12 8.8 UNI5931	4
8	06100018	VITE TE M8 X 10 8.8 ZN UNI5739	3
9	06180111	ROND. P.D. 4,3 X 12 X 1 ZN UNI1739	1
10	06130002	VITE TCEI M4 X 10 8.8 ZN UNI5931	1
11	06180094	ROSETTA CON. D. 8,7 X 16 X 1,9 ZN	1
12	06340563	FASCETTA FERMATUBO D. 16	2
13	00070466	LEFT SUPPORTING PLATE	1
14	00070467	SUPPORT PLATE	1
15	00068520	SEAL ART.001.001031 L=520	1
16	06150082	VITE TSPEI M8 X 20 8.8 ZN UNI5933	2
17	02040355	SERRATURA CHIUSURA COFANO	1
18	00062662	LAMA SERRATURA COFANO	1
19	00059426	MOLLA D. 7.5 L= 22 F= 1 REG. FANALE	6
20	00059015	SUPPORTO FANALE	2
21	06150273	VITE T.C.CAVA C. M4 X 40 8.8 UNI7687	6
22	06130097	VITE TCEI M4 X 16 8.8 ZN UNI5931	4
23	06130041	VITE TCEI M5 X 12 8.8 ZN UNI5931	4
24	02050903	FARO ANABBAGLIANTE ELLIPSE	2
25	06160065	DADO AUTOB. M4 X 6 CL.8 ZN UNI7473	6
26	06120019	DADO M4 X 4 CL.8 ZN UNI5587	4
27	00064403	DISTANZIALE D. 4.5 X 8 X 5.5 AMMORTIZZAT	4
28	00059416	LAMIERA PORTAFANALE SUPERIORE	2
29	FDM47201110	BONNET SUPPORT PLATE	1
30	06120038	DADO M8 X 5 CL.8 ZN UNI5589	2
31	06100020	VITE TE M8 X 20 8.8 ZN UNI5739	2
32	FDM4.0401008	STABILIS GAS SPRING - SUPPL. COD. 083607	1
33	FDM47201004	CENTRAL BONNET SUPPORT	1
34	02050996	CABLAGGIO FRONT LIGHTS	1
35	FDM50701116	BONNET THERMAL INSULATION	1
36	06150289	PRIGIONIERO M8 X 20 L= 28 8.8 ZN UNI5909	3
37	06160047	DADO AUTOB. M8 X 10.6 CL.8 ZN UNI7473	3



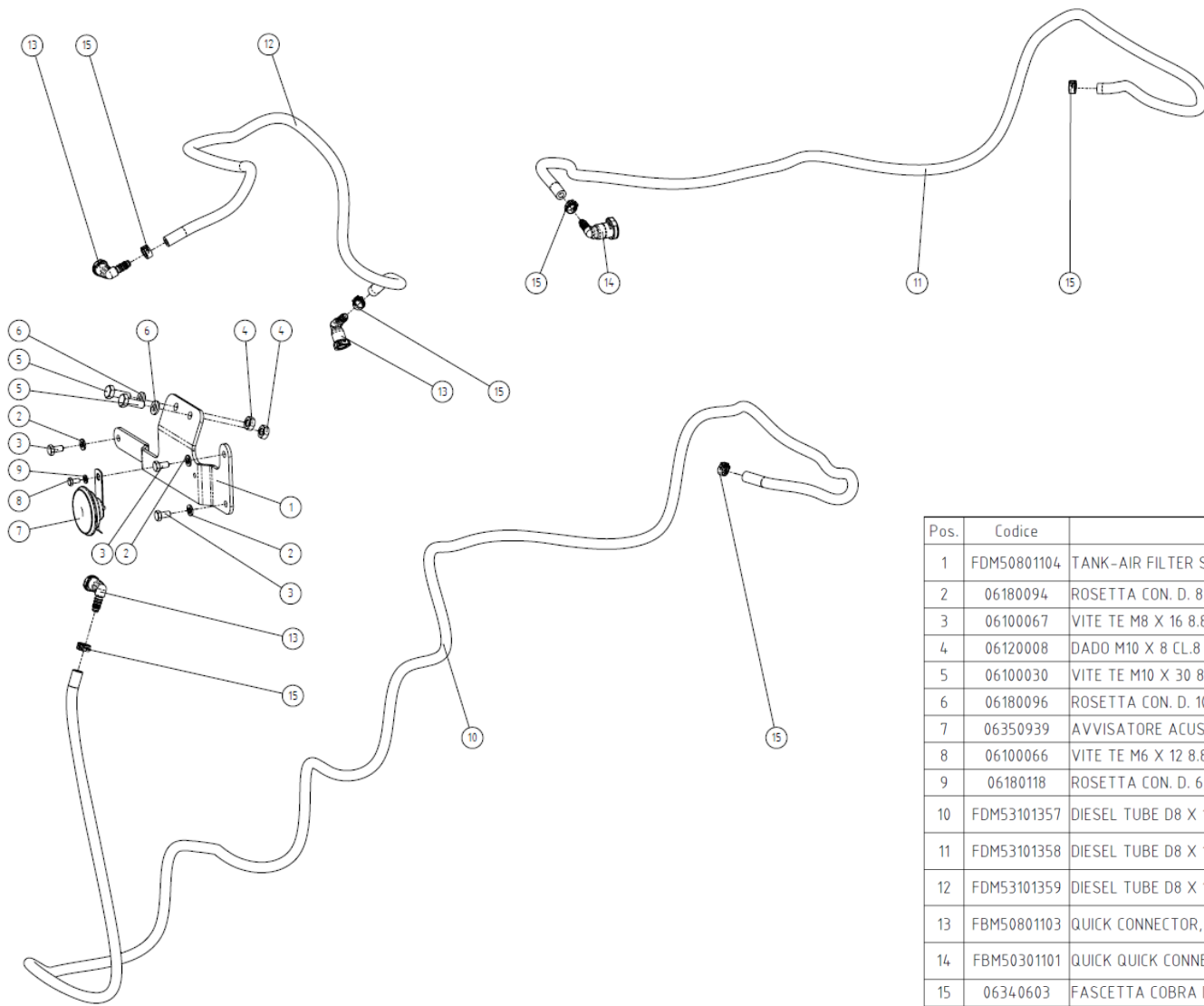
FDM101GR003-GR. FIREWALL PLATE



Pos.	Codice	Descrizione	Q.tà
1	FDM10101133	FIREWALL PLATE	1
2	00070564	GUARNIZIONE ART. 001.002378 L=1130	1
3	FDM10101009	TOTAL ATS SUPPORT	1
4	06100021	VITE TE M8 X 25 8.8 ZN UNI5739	8
5	06180094	ROSETTA CON. D. 8,7 X 16 X 1,9 ZN	7
6	06100020	VITE TE M8 X 20 8.8 ZN UNI5739	4
7	06160171	DADO RIVETTO M8 8.8 ESAG	5
8	06340596	FASCETTA FERMATUBO D. 10	1
9	FDM10101012	TOTAL ATS SUPPORT	1
10	06180118	ROSETTA CON. D. 6,4 X 12 X 1,4 ZN UNI883	4
11	06180082	ROND. P D. 8.4 X 16 X 1.6 UNI6592	4



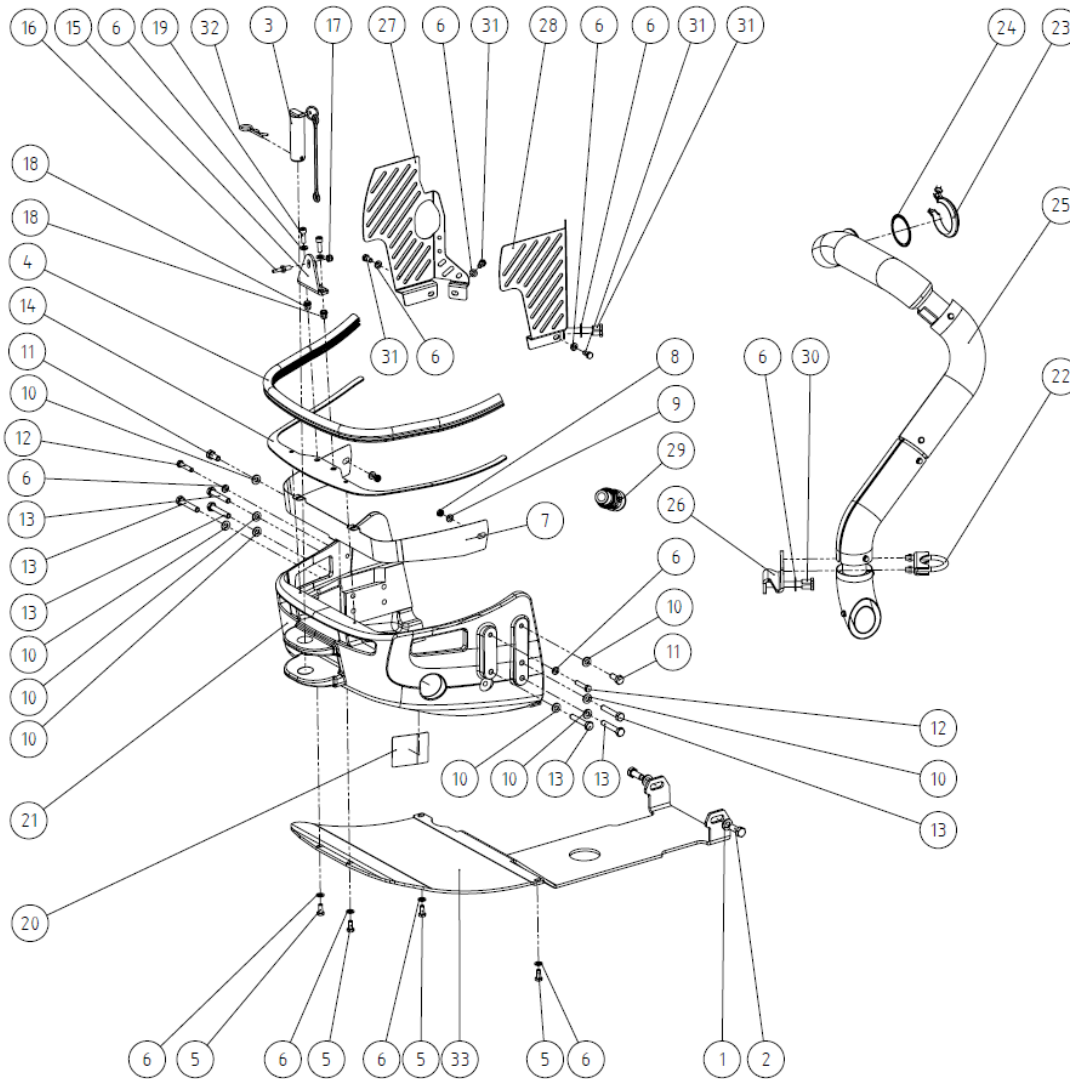
FDM508GR001-GR FUEL FILTER 2000E



Pos.	Codice	Descrizione	Q.tà
1	FDM50801104	TANK-AIR FILTER SUPPORT BRACKET	1
2	06180094	ROSETTA CON. D. 8,7 X 16 X 1,9 ZN	3
3	06100067	VITE TE M8 X 16 8.8 ZN UNI5739	3
4	06120008	DADO M10 X 8 CL.8 ZN UNI5588	2
5	06100030	VITE TE M10 X 30 8.8 ZN UNI5739	2
6	06180096	ROSETTA CON. D. 10,5 X 20 X 2,6 ZN	2
7	06350939	AVVISATORE ACUSTICO TONO ACUTO H 12V	1
8	06100066	VITE TE M6 X 12 8.8 ZN UNI5739	1
9	06180118	ROSETTA CON. D. 6,4 X 12 X 1,4 ZN UNI883	1
10	FDM53101357	DIESEL TUBE D8 X 15 L 3000	1
11	FDM53101358	DIESEL TUBE D8 X 15 L 2100	1
12	FDM53101359	DIESEL TUBE D8 X 15 L 1400	1
13	FBM50801103	QUICK CONNECTOR, SAE S 9.89MM TUBE 8MM 90	3
14	FBM50301101	QUICK QUICK CONNECTOR, SAE S 11.8MM TUBE 8MM 90	1
15	06340603	FASCETTA COBRA DN 14/8 (14.5-16.0)	6



FDM311GR002-FRONT ASSEMBLY 2000E



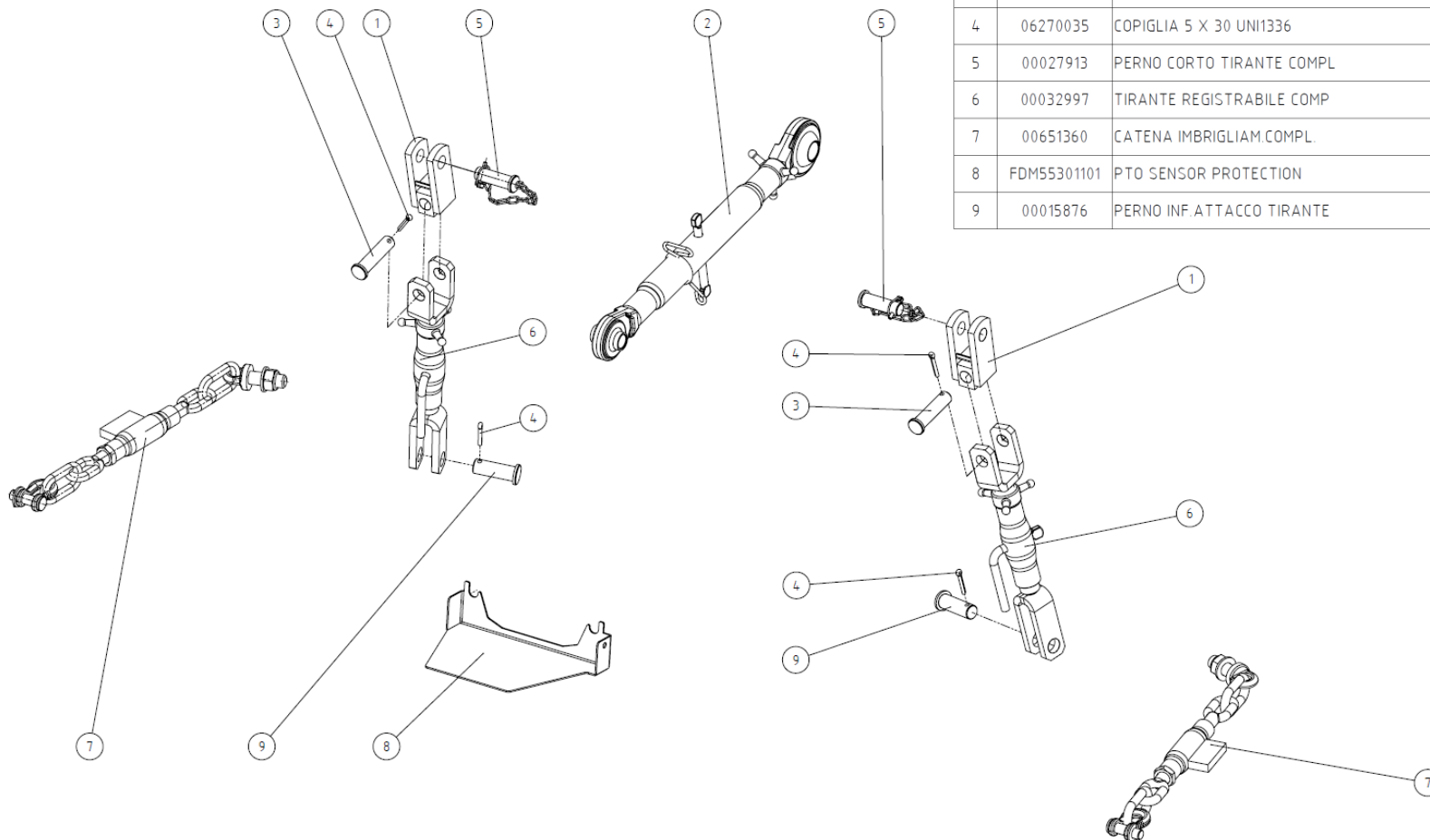
Pos.	Codice	Descrizione	Q.tà
1	06180093	ROSETTA CON. D. 13,4 X 24 X 3,2 ZN UNI88	2
2	06100039	VITE TE M12 X 30 8.8 ZN UNI5739	2
3	00035201	PERNO GANCIO TRAINO COMPL.	1
4	00060747	GUARNIZIONE A055 S0407 L. 1000	1
5	06100121	VITE TE M8 X 18 8.8 ZN UNI5739	4
6	06180094	ROSETTA CON. D. 8,7 X 16 X 1,9 ZN	15
7	00061062	MASCHERINA ANT. PARAURTI	1
8	06120038	DADO M8 X 5 CL.8 ZN UNI5589	2
9	06180082	ROND. P. D. 8.4 X 16 X 1.6 UNI6592	2
10	06180096	ROSETTA CON. D. 10,5 X 20 X 2,6 ZN	8
11	06100029	VITE TE M10 X 25 8.8 ZN UNI5739	2
12	06110010	VITE TE M8 X 40 8.8 ZN UNI5737	2
13	06110028	VITE TE M10 X 60 8.8 ZN UNI5737	6
14	00064874	LAMA FISS. GUARNIZIONE COFANO	1
15	00070392	SUPPORTO PERNO CHIUSURA COFANO	1
16	00070313	PERNO CHIUSURA COFANO	1
17	06160088	DADO AUTOB. M8 X 8,5 CL.8 ZN UNI7474	1
18	06160171	DADO RIVETTO M8 8.8 ESAG.	2
19	06130017	VITE TCEI M8 X 25 8.8 ZN UNI5931	2
20	00066232	MASCHERINA RETE CHIUSURA FORO MARMITTA	1
21	00064718	FRONT BUMPER	1
22	06340651	FASCETTA FERMATUBO D. 50 "AD ARCO"	1
23	FBM22001103	V CLAMP, 50 MM	1
24	FBM22001104	METAL SHEET SEAL FOR V-CLAMP	1
25	FDM10101011	TUBO SCARICO FUMI COMPL.	1
26	FDM10101144	EXHAUST FIXING PLATE	1
27	FDM31201115	FRONT RIGHT FAN PROTECTION	1
28	FDM31201116	FRONT LEFT FAN PROTECTION	1
29	FDM10101125	THREADED SPACER M30	1
30	06100020	VITE TE M8 X 20 8.8 ZN UNI5739	2
31	06100067	VITE TE M8 X 16 8.8 ZN UNI5739	5
32	00003539	MOLLA A ERRE F= 4 X 60 1 SPIRA	1
33	FEM31201101	INTEGRAL ENGINE SUMP PROTECTION SHEET	1



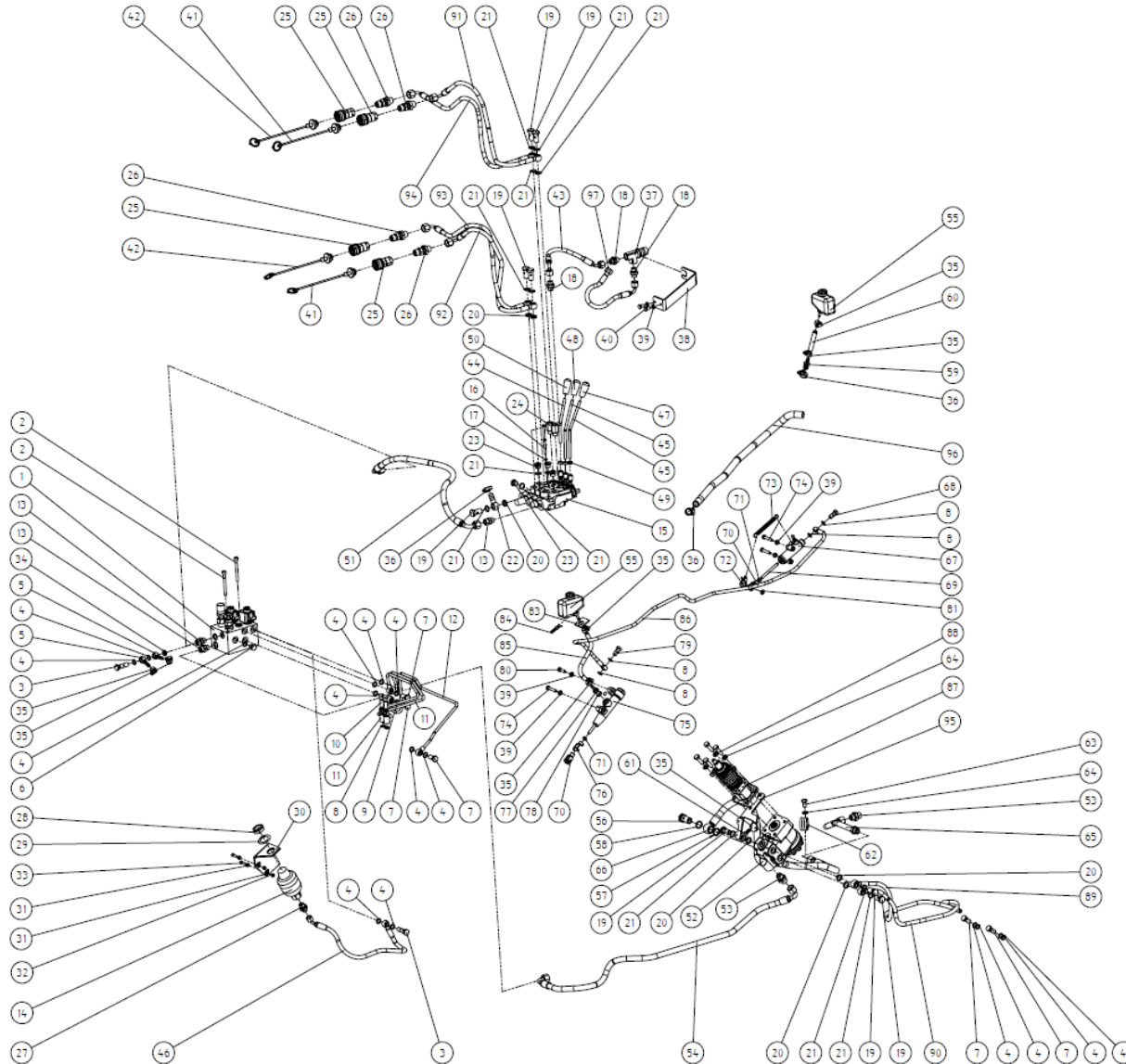
FDM561GR001-REAR LIFT ARMS GROUP CATEGORY 1 - 2000E (SW-AR)



Pos.	Codice	Descrizione	Q.tà
1	00032996	FORCELLA DI SNODO	2
2	00040383	BRACCIO 3 PUNTO COMPL.	1
3	00039937	PERNO ATTACCO TIRANTE	2
4	06270035	COPIGLIA 5 X 30 UNI1336	4
5	00027913	PERNO CORTO TIRANTE COMPL.	2
6	00032997	TIRANTE REGISTRABILE COMPL.	2
7	00651360	CATENA IMBRIGLIAM.COMPL.	2
8	FDM55301101	PTO SENSOR PROTECTION	1
9	00015876	PERNO INF.ATTACCO TIRANTE	2



FDM100GR026-GR. HYDRAULIC CIRCUIT SERIES 2000 SW -FINISHING-



Pos.	Codice	Descrizione	Q.18
1	02030524	ELETTROVALVOLA FRIZIONE	1
2	04330823	VITE T01 M8 X 80 8.8 ZN UNI9391	2
3	06360155	VITE FORATA DOPPIA 1/4 GAS X 4.4	2
4	06800054	ROND. RAME D. 13.5 X 19 X 1.5 1/4" GAS	16
5	06360025	RACCORDO OCCHIO 1/4 PG10	2
6	06022271	TAPPO 1/4 GAS X 12.5 T.E.	1
7	06015977	VITE FORATA 1/4 GAS X 28 ZN	5
8	06370069	ROSETTA RAME D. 22.5 X 8 X 3.5	8
9	06034976	TUBO VALVOLA DRENAGGIO	1
10	06033126	VITE FORATA M12 X 1.25 X 40	2
11	06034975	TUBO VALVOLA FRIZIONE	1
12	06034977	TUBO VALVOLA FRENO	1
13	06360192	NIPPLO 13/16"-16 ORFS - 3/8" GAS	3
14	02030323	SERBATOIO ACCUMUL. PREC. 6 BAR-FRES 210	1
15	MK02030366	DISTRIBUTORE HDM1P/3 KNO	1
16	06100007	VITE TE M6 X 50 8.8 ZN UNI5737	2
17	06180118	ROSETTA CON D. 6.4 X 12 X 1.4 ZN UNI883	2
18	06360300	NIPPLO 11/16"-16 ORFS - 3/8" GAS	3
19	06360022	VITE FORATA 3/8" X 32	8
20	06034904	ROND. RAME D. 17.2 X 22 X 4	6
21	06800049	ROND. RAME D. 17 X 22 X 1.5 3/8" GAS	16
22	06360136	RACCORDO OCCHIO 3/8" P05/8"	1
23	06028642	TAPPO 3/8 GAS X 12	4
24	06360120	COLONNETTA CPM 3/8" - 3/8" X 27	2
25	06370478	ATTACCO R. FEMMINA 1/2 NPT	4
26	06360326	RACCORDO PASSPAR 13/16" ORFS-1/2" NPT	4
27	FDM53101319	NIPPLO M18X15 - 9/16"-18 ORFS	1
28	06004759	DADO M28 X 1.5 X 10 S235JR	1
29	06330131	MOLLA TAZZA 30.5 X 46.5 X 0.6	1
30	06036924	SUPPORTO SERBATOIO ACCUMULATORE	1
31	06180011	ROND. P. D. 6.4 X 12 X 1.6 ZN UNI828738	4
32	06360092	DADO AUTOB. M6 X 6 CL 8 ZN UNI474	2
33	06360074	VITE TE M6 X 15 8.8 ZN UNI5739	2
34	06034903	ROND. RAME D. 13.2 X 19 X 4	1
35	06360295	FASCETTA 10-16 H9 DIN 3017	7
36	06360054	FASCETTA 16-25 H9 DIN 3017	3
37	02030557	VALVOLA REGOLAZIONE FLUS. CON GHIERA M20	1
38	06064613	SUPPORTO REGOLAZIONE FLUSSO	1
39	06180094	ROSETTA CON D. 8.7 X 16 X 1.9 ZN	6
40	06100067	VITE TE M8 X 16 8.8 ZN UNI5739	2
41	06360278	DUST FLUG 1/2" FALLE	2
42	06360279	TAPPO PROTEZIONE INNESTI 1/2"	2
43	FDM37801005	HOSE 3/8" x 320	1
44	FDM59201102	LEVA DISTRIBUTORE	1
45	FDM59201105	LEVA DISTRIBUTORE	2
46	FDM37801004	HOSE 1/4" x 620	1
47	06330885	IMPUGNATURA D.8 BLU	1
48	06330864	IMPUGNATURA D.8 VERDE	1
49	06120006	DADO M8 X 8 CL 8 ZN UNI5887	3
50	06330499	IMPUGNATURA D.8	1
51	FDM53101183	HOSE 3/8" x 780	1
52	02030424	IDROGIUDA OSPC SOLS-OLSA DINAMICA	1
53	06360199	NIPPLO 13/16"-16 ORFS - 1/2"-14 BSP	2
54	FDM37601008	HOSE 3/8" x 180	1
55	06019624	SERBATOIO OLIO COMPL	2
56	06057923	VITE FORATA 1/2 GAS X 38	1
57	06037380	ROND. RAME D. 21.5 X 27 X 4	1
58	06180061	ROND. RAME D. 21.5 X 27 X 1.5	1
59	06039343	NIPPLO 3/8" PG10	1
60	FDM37601118	HOSE 5/8" x 85	1
61	06360024	RACCORDO OCCHIO 3/8" PG10	1
62	06360375	FASCETTA FERMATUBO D. 38	1
63	06100028	VITE TE M10 X 20 8.8 ZN UNI5739	1
64	06180096	ROSETTA CON D. 10.5 X 20 X 2.6 ZN	5
65	FDM37601006	POWER STEERING FILTER DELIVERY HOSE	1
66	FDM37601007	TUBO FLEX 1/2" X 840	1
67	02030589	POMPA FRENO 1.95 OLSA-CORSA 36 MINER.	1
68	06360160_01_0000	VITE FORATA M12 X 1.25	1
69	06032311	PERNO D. 8 X 82 SFINTA POMPA	2
70	06360143	FORCELLA KALWAS D. 8 X 16 DIN17152	1
71	06120048	DADO M8 X 6.5 CL 8 ZN UNI5888	2
72	06034308	PERNO D.8 CON ATTACCO MOLLA	1
73	06060585	MOLLA D. 12 L - 95 F = 2 RICHIAMO FORCELLA	1
74	06110011	VITE TE M8 X 45 8.8 ZN UNI5737	3
75	02030591	POMPA FRENO 1.95 OLSA 30-32 MINER.	1
76	06360144	PERNO KALWAS D. 8 X 16	1
77	06360102	NIPPLO M14X15 P08	1
78	06180074	ROND. RAME D. 14.2 X 20 X 1.5	1
79	06360032_01_0000	VITE FORATA B. 1215	1
80	06100022	VITE TE M8 X 30 8.8 ZN UNI5739	1
81	06180082	ROND. P. D. 8.4 X 16 X 1.6 UNI6592	1
82	06270001	COPIGLIA 2 X 16 ZN UNI1336	1
83	06037868	GUARNIZIONE SERBATOIO	1
84	06037865	GANCIO FISS. SERBATOIO OLIO	1
85	06034309	TUBO FLEX SF. D. 6X13X 180	1
86	06041110	TUBO FLEX HAND 3/16" X 1500	1
87	06066827	PIANTONE STERZO REGOL.-041-807N-A COMPL.	1
88	06100031	VITE TE M70 X 35 8.8 ZN UNI5739	4
89	06016457	FLEX HOSE 1/4" X 660	2
90	FDM53101184	HOSE 1/4" x 650 13/16"-16 ORFS	4
91	FDM48701111	SUPPORT RELAY BOX	1
92	FDM53101330	HOSE 5/8" x 750	1
93	FDM54101003	HOSE 1/4" x 360 11/16"-16 ORFS	1





Goldoni Keestrack srl
Via canale 3
41012 Migliarina di Carpi

goldoni.com

**MACHINES
FOR LIFE —**